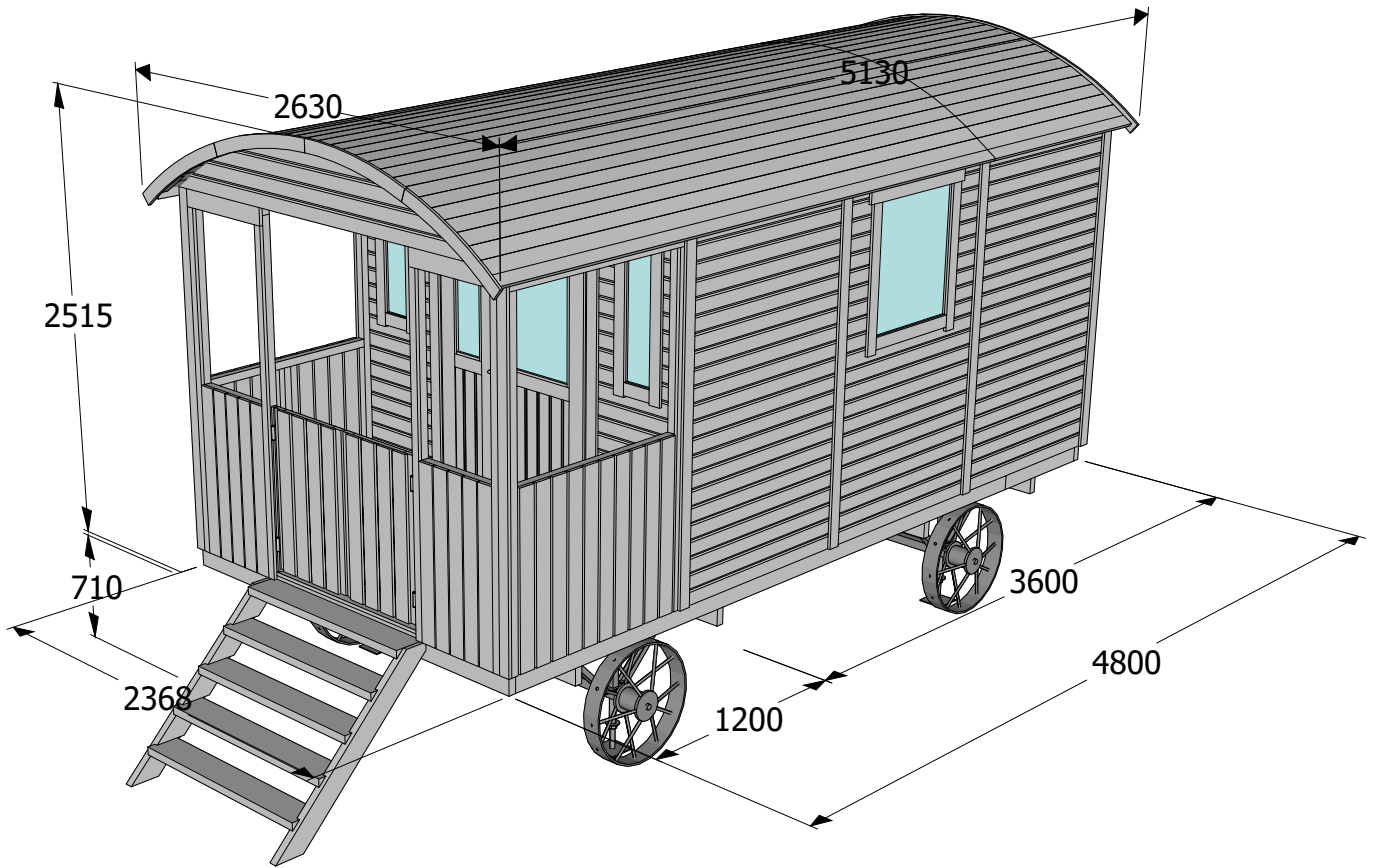
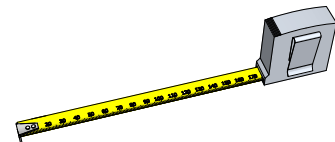
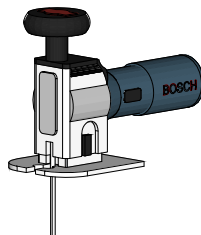
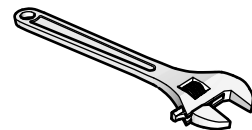
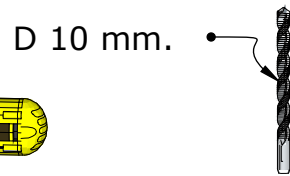
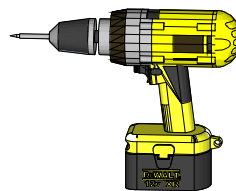
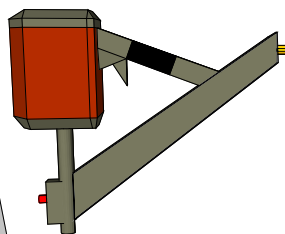
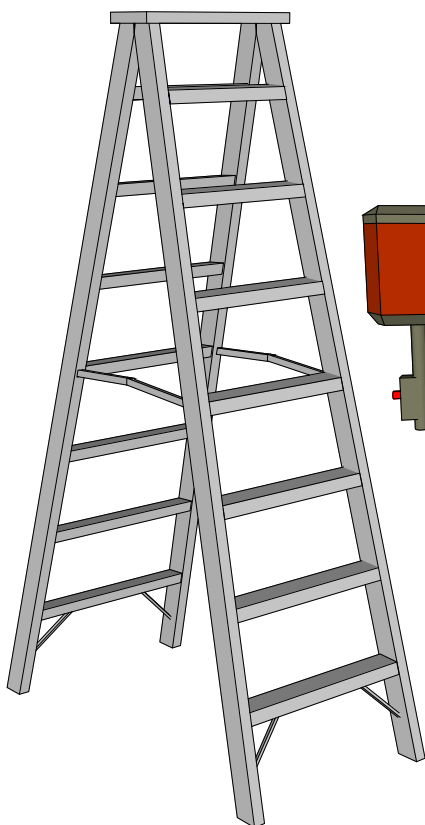
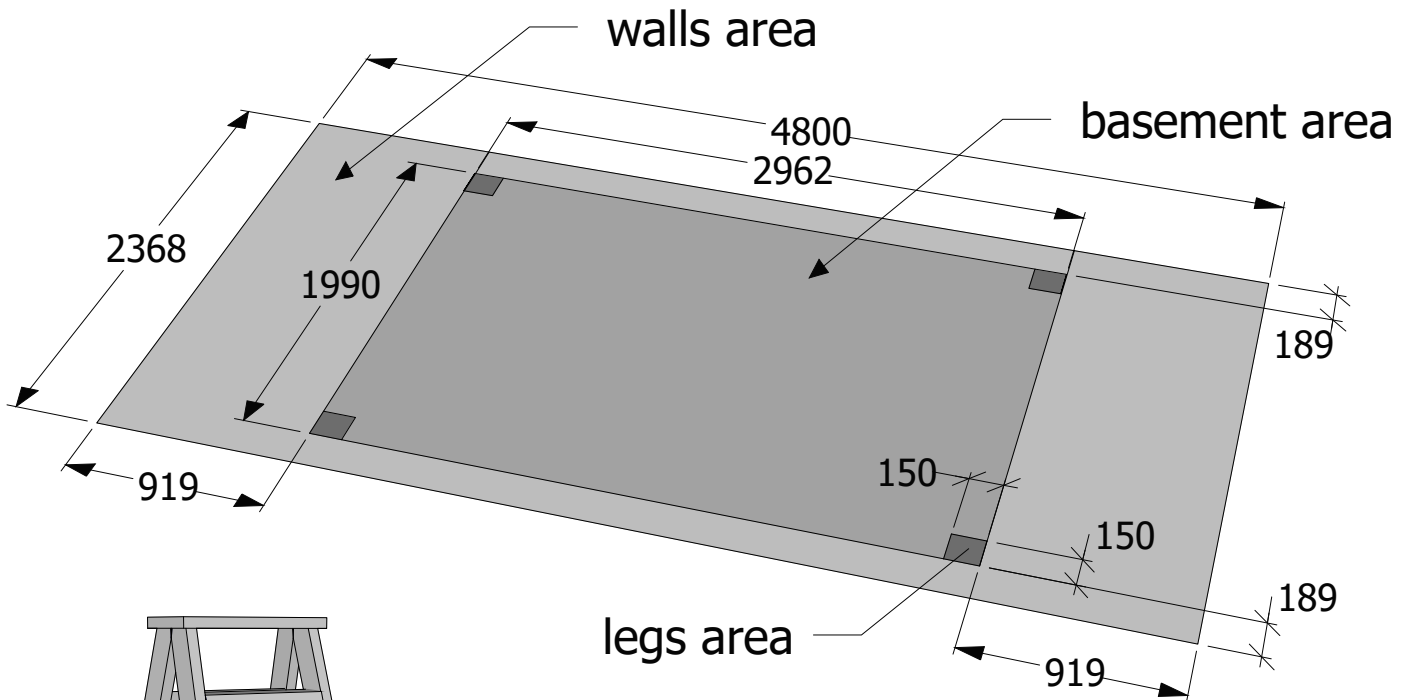
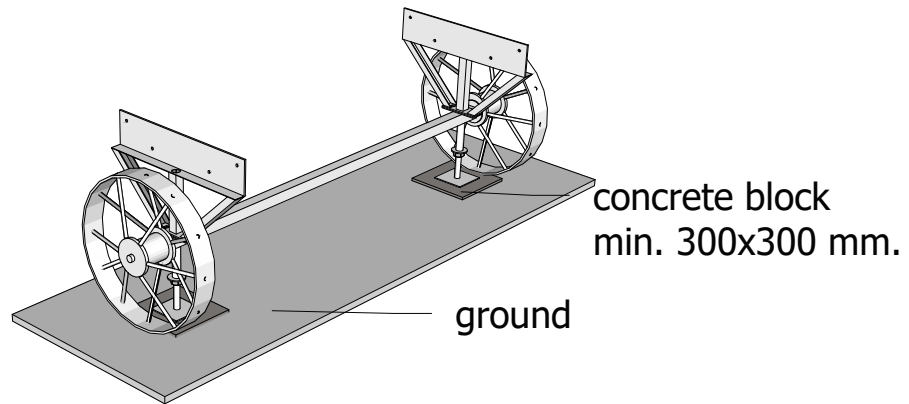


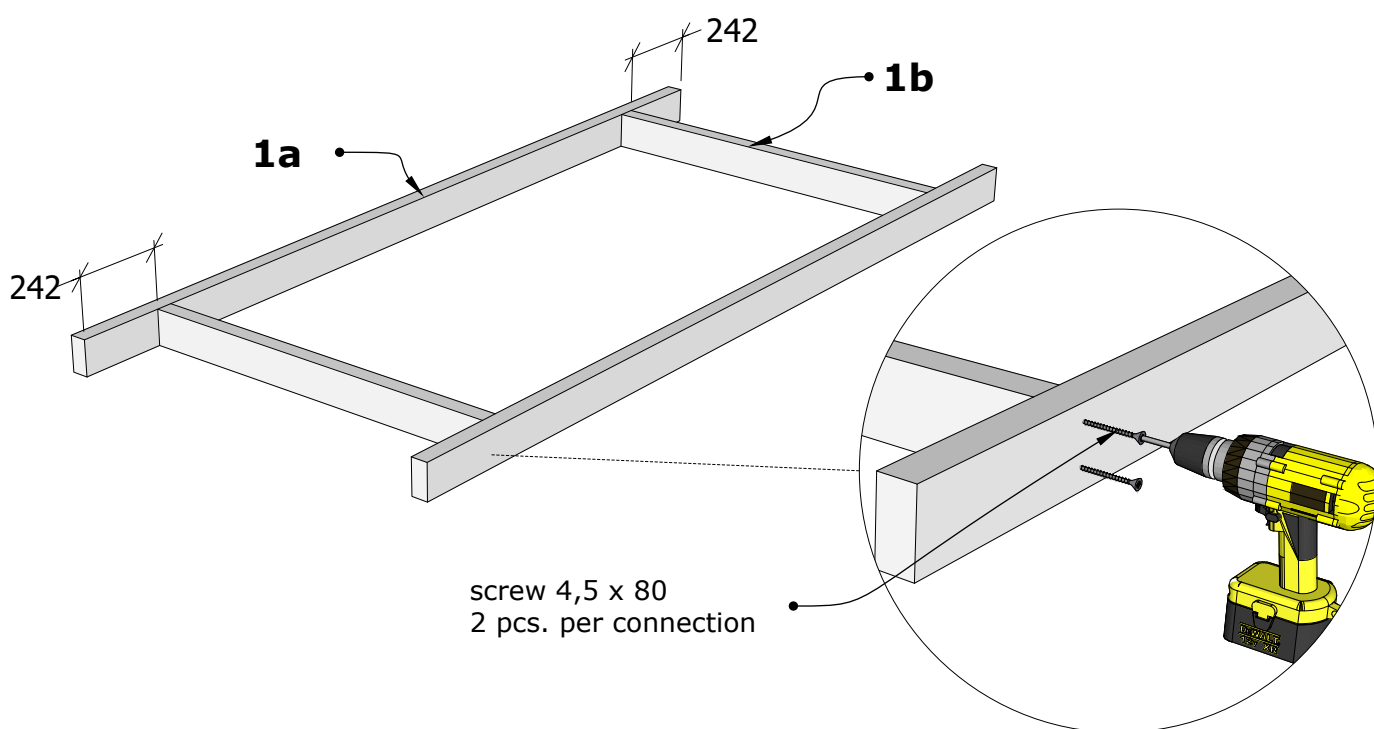
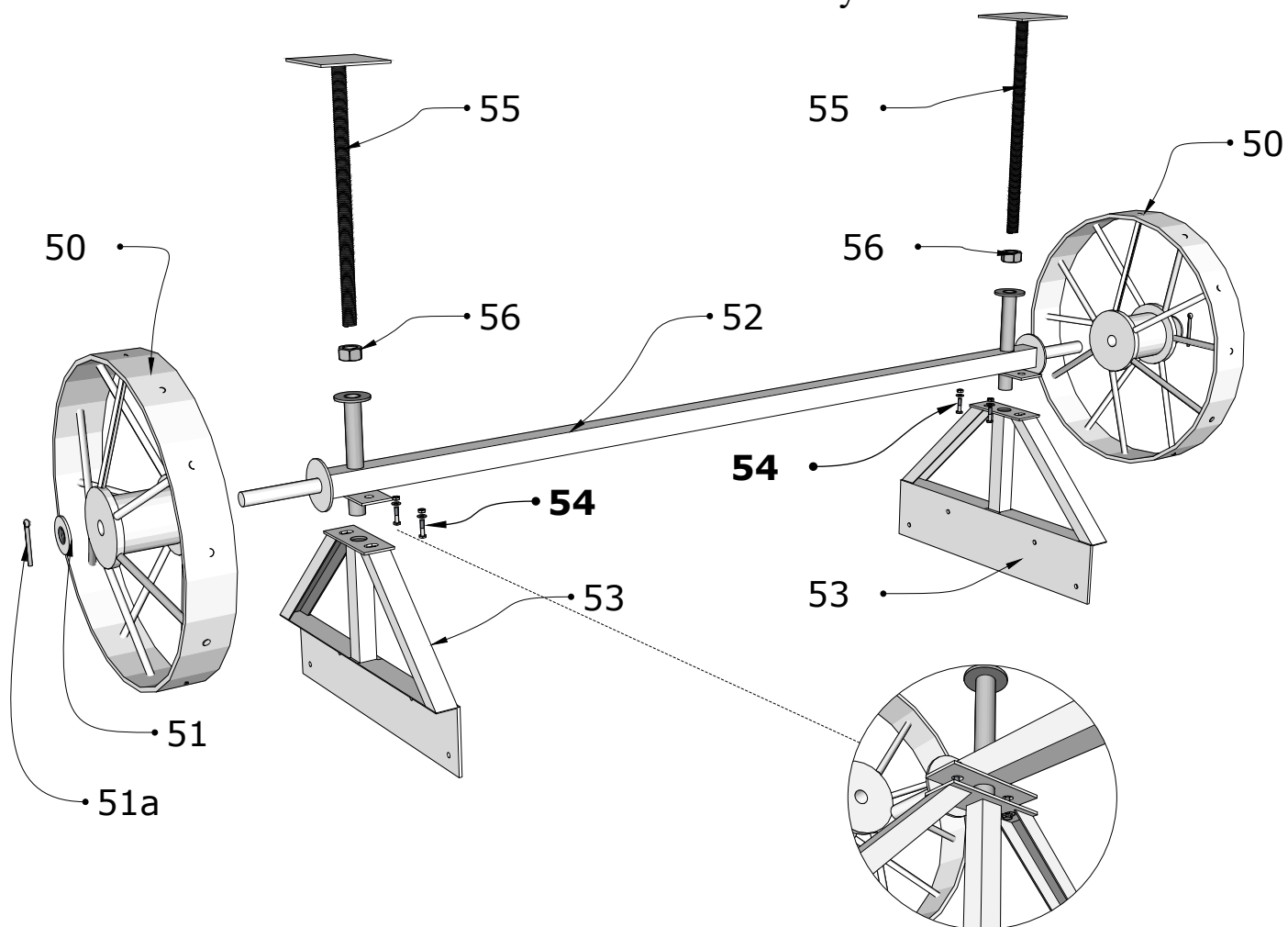
Wagon 2,4x4,8 m. Paddy assembly instruction

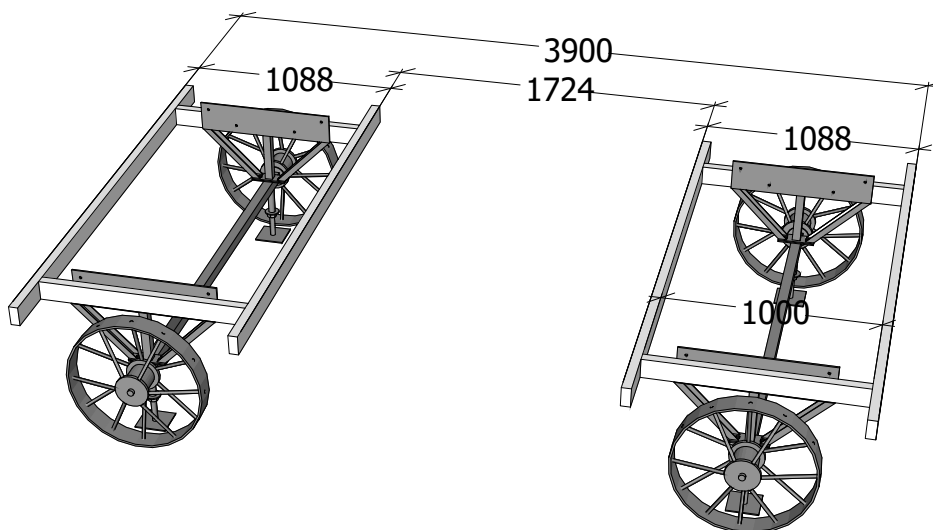
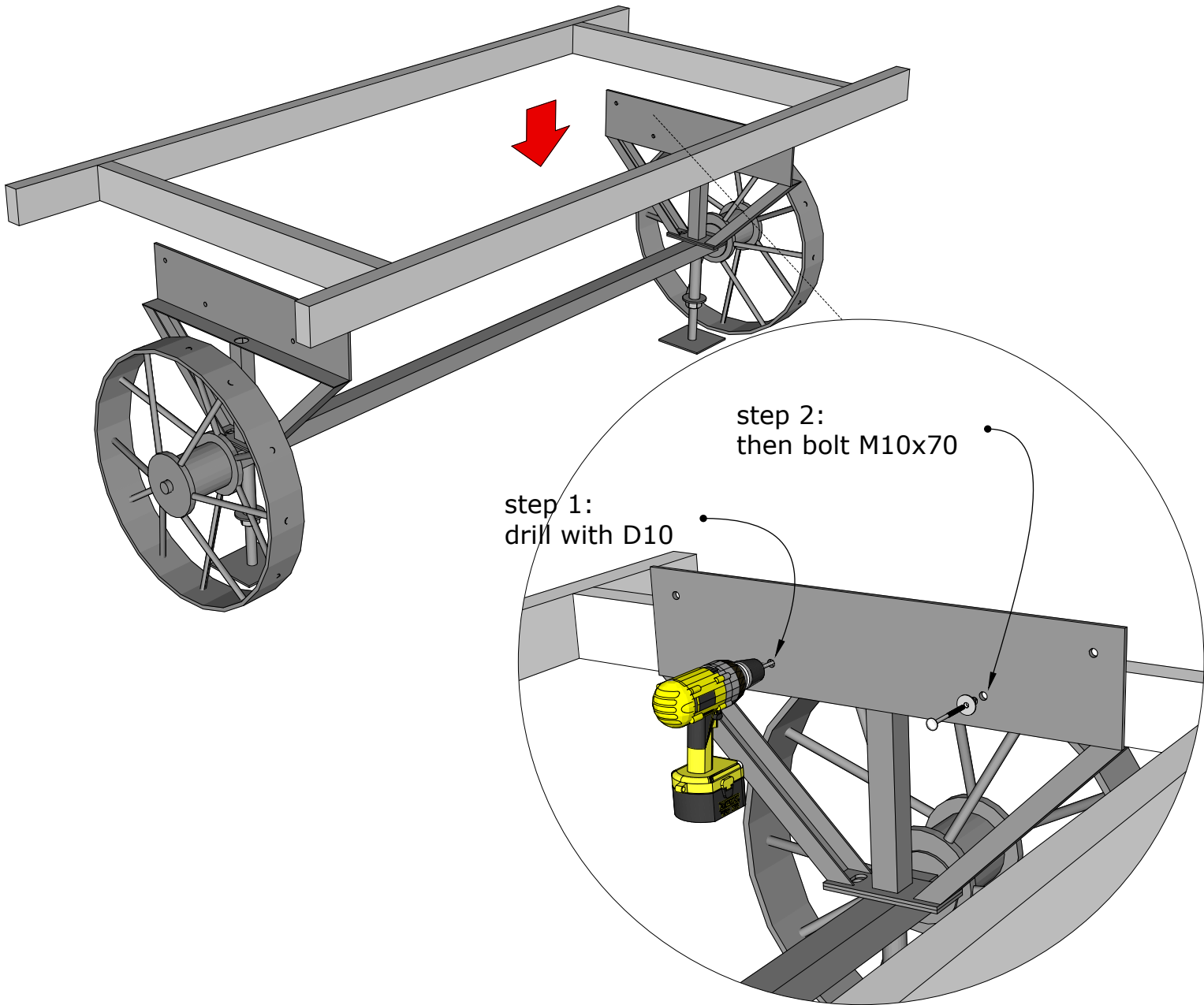


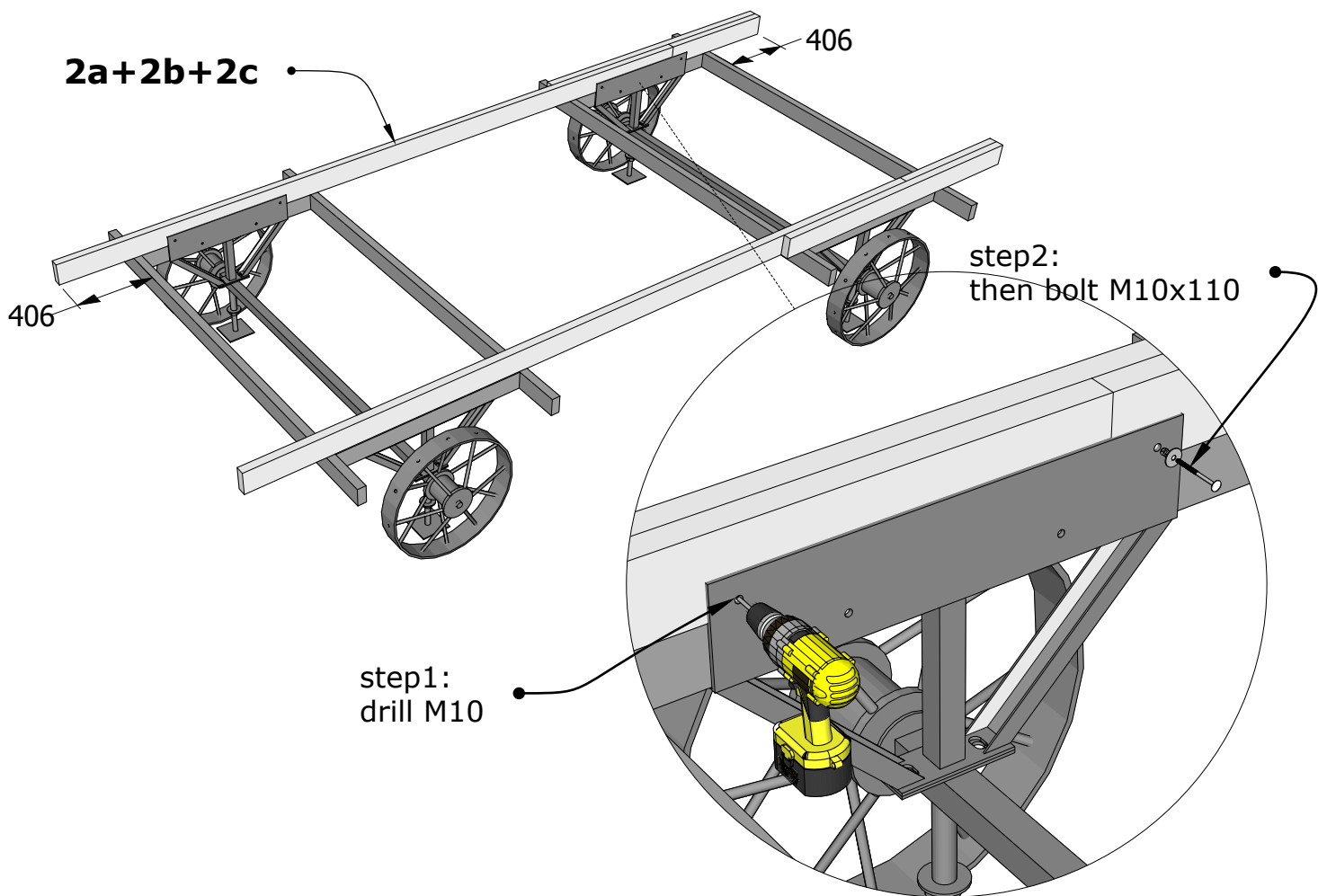
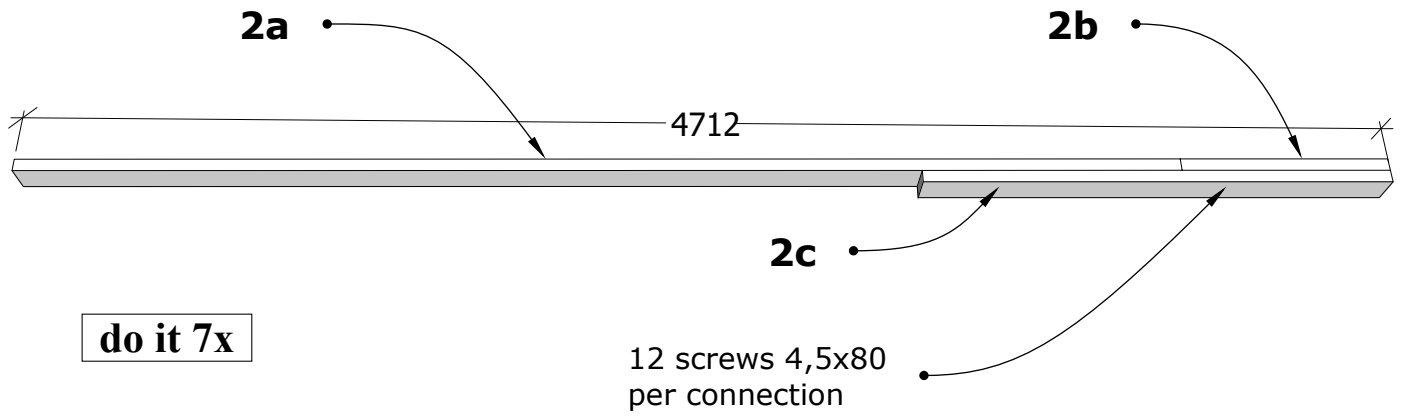
This wagon must be based on adjustable legs and is not movable.

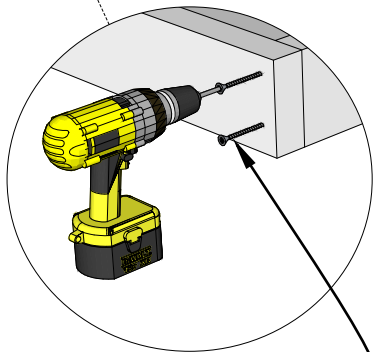
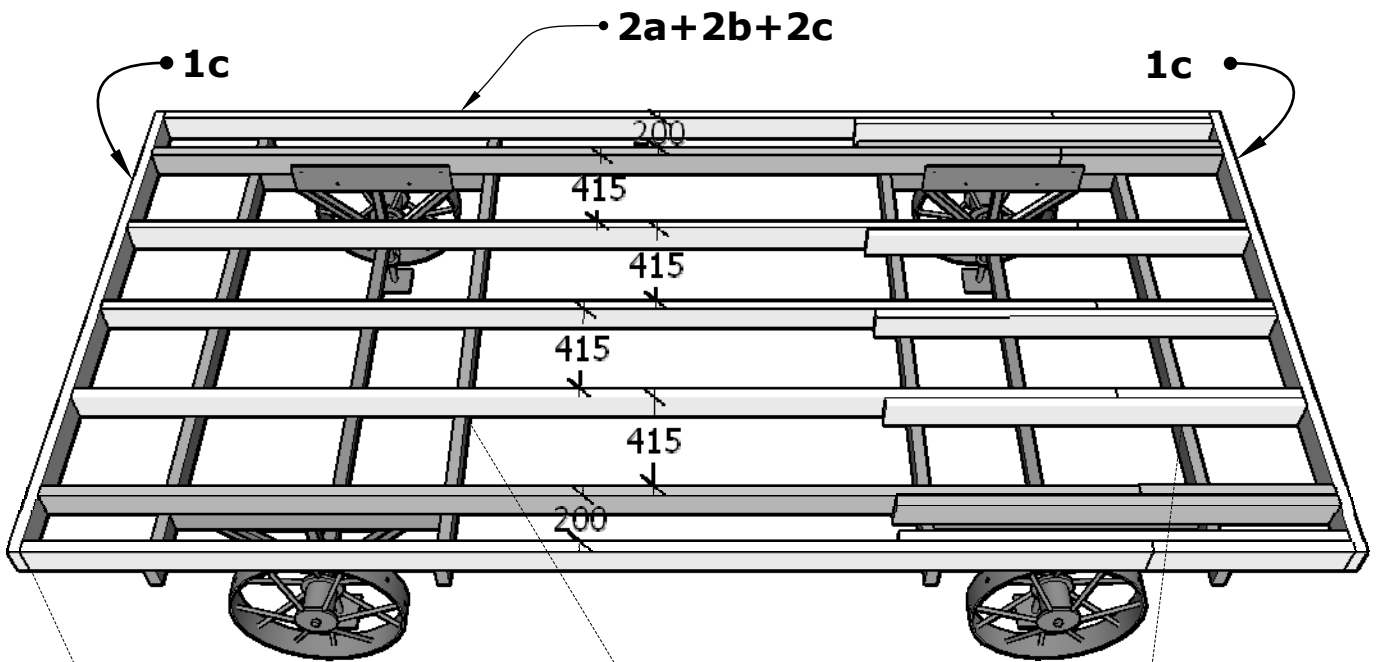


Metallic wheels assembly

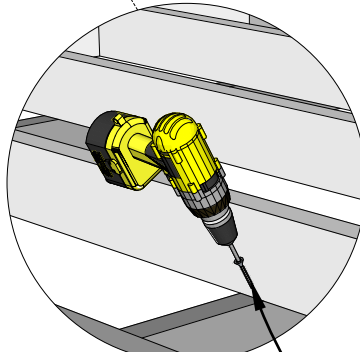




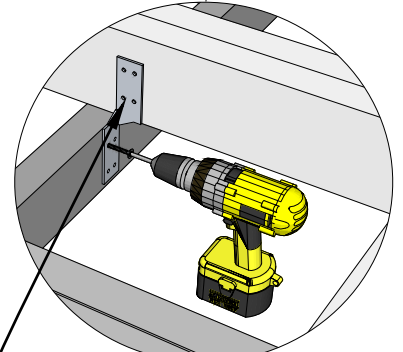




2 screws 4,5x80 per connection, totally 28 pcs.

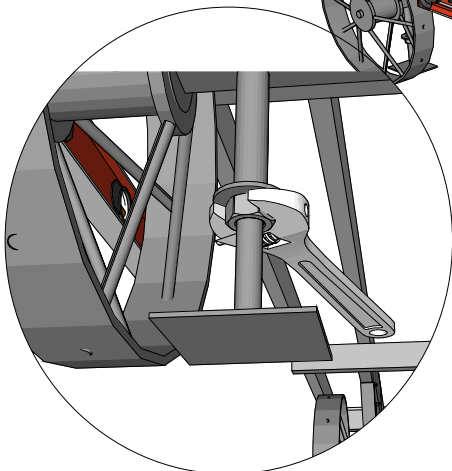
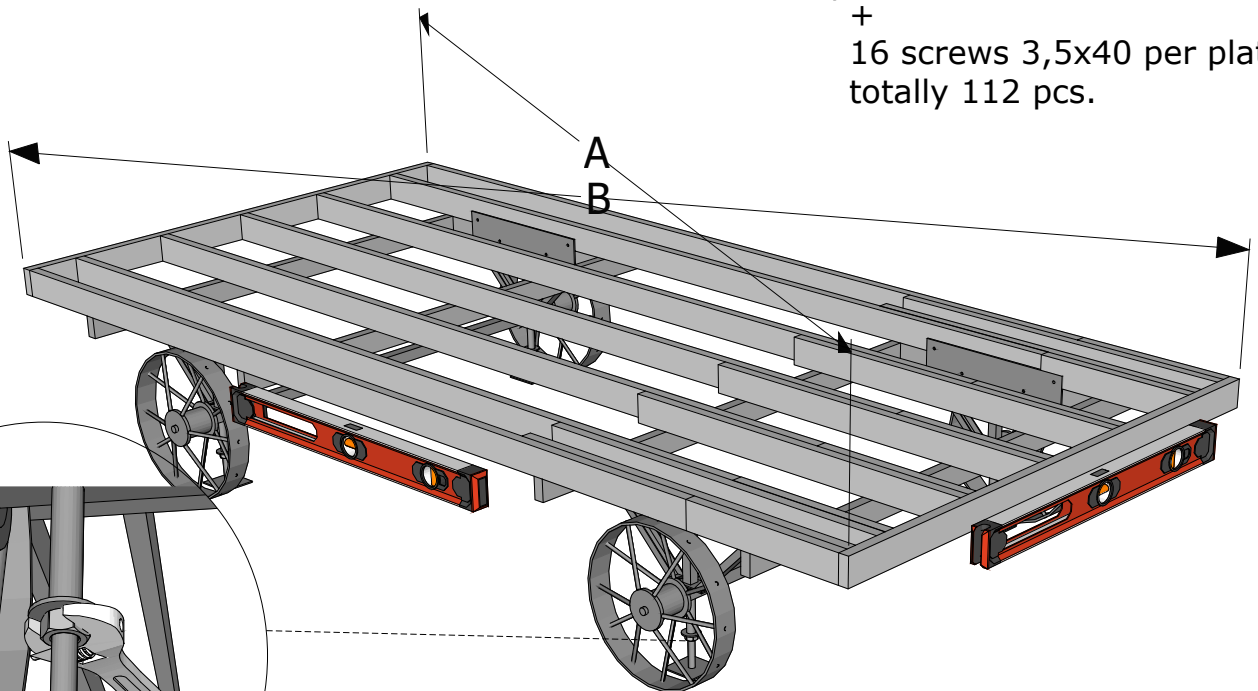


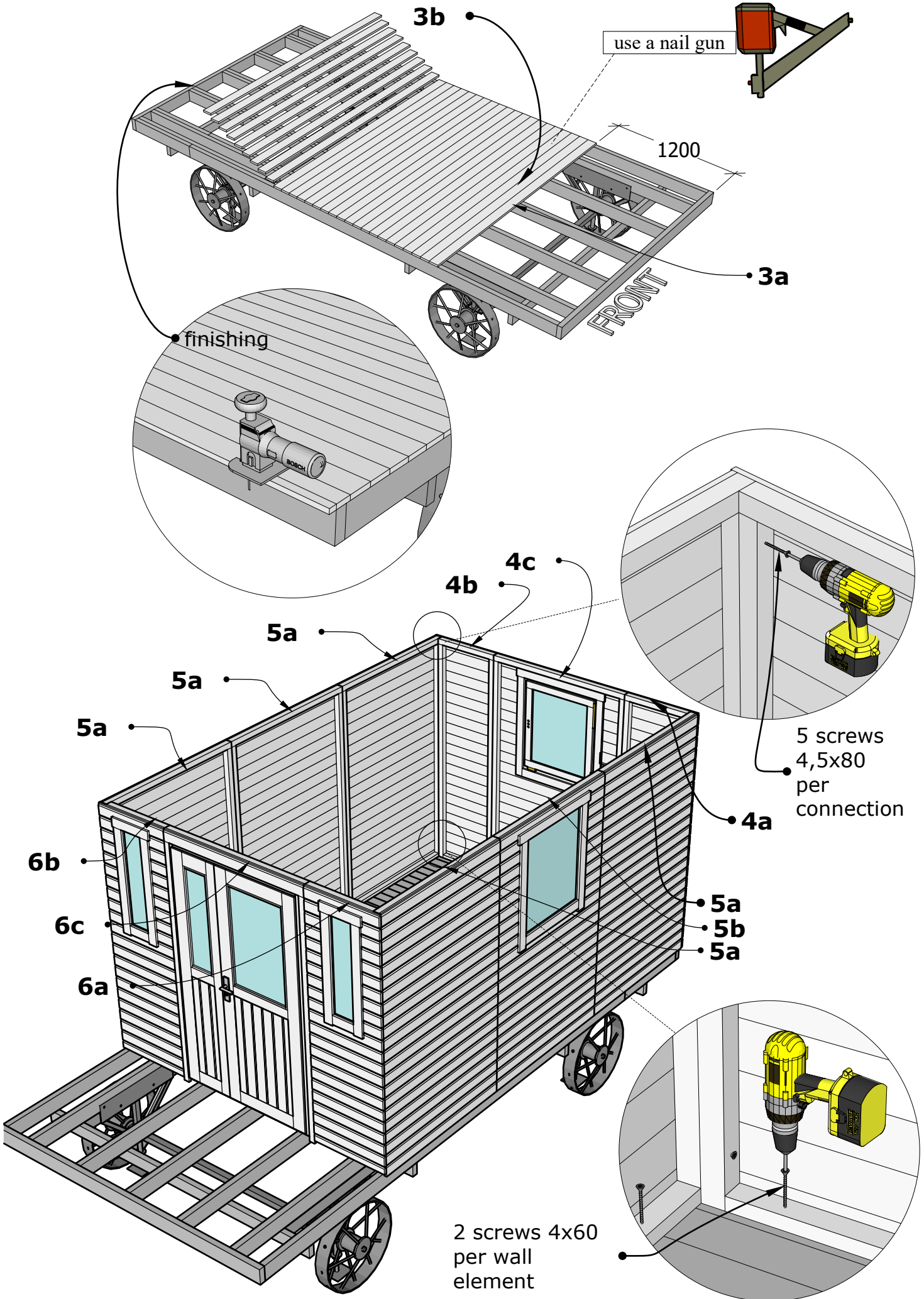
1 screw 4,5x80 per connection, totally 14 pcs.

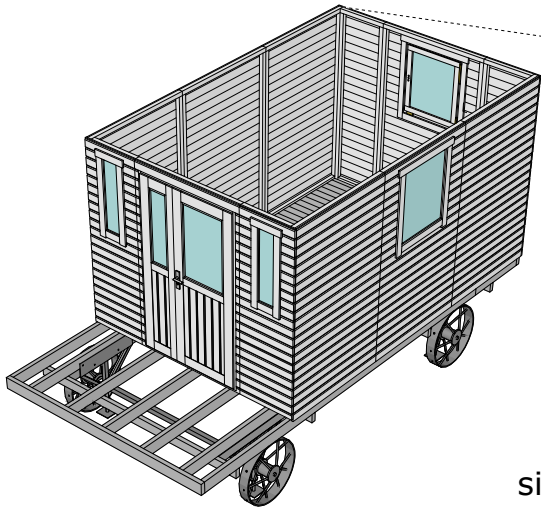


1 support plate 170x35x2 per connection, totally 14 pcs.

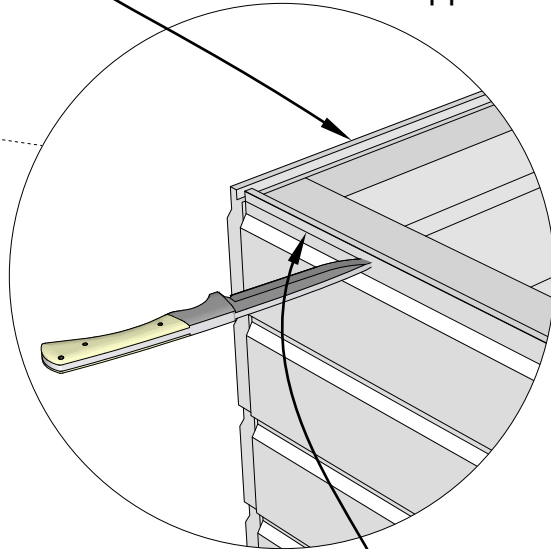
+ 16 screws 3,5x40 per plate, totally 112 pcs.



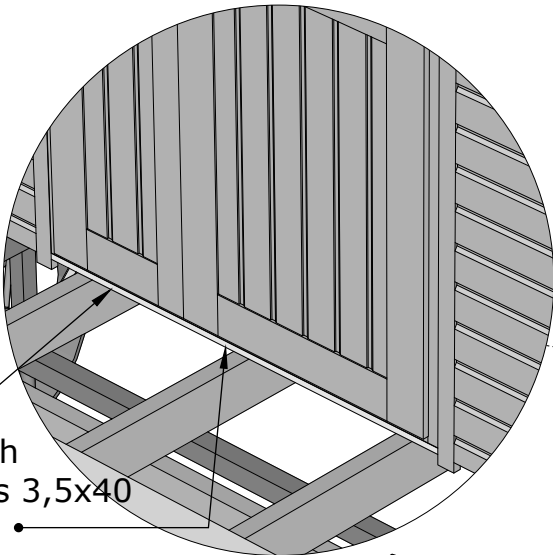




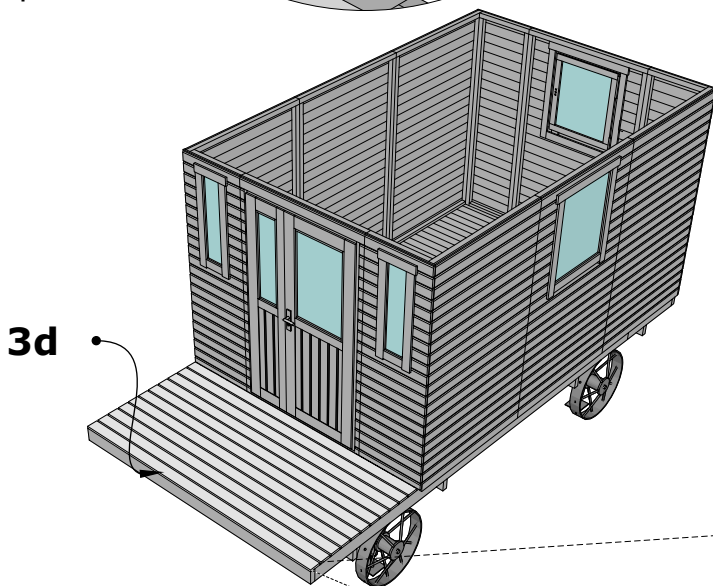
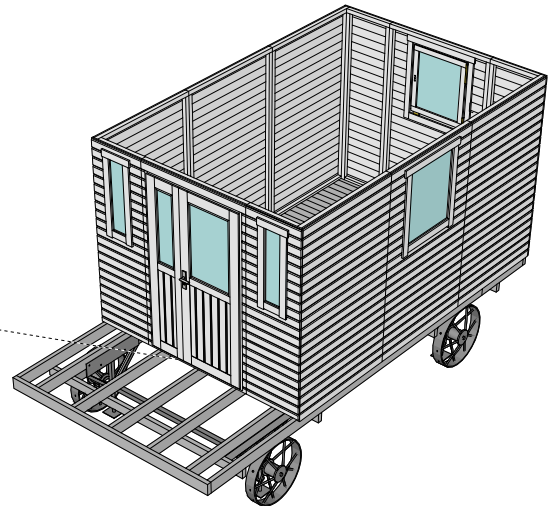
end walls:
do`nt cut off the upper bung



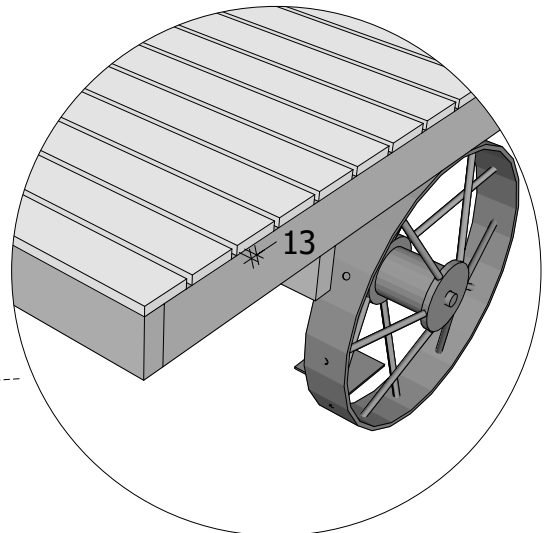
side walls:
cut off the upper bung



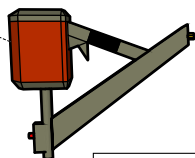
18
fix with
screws 3,5x40
3 pcs.



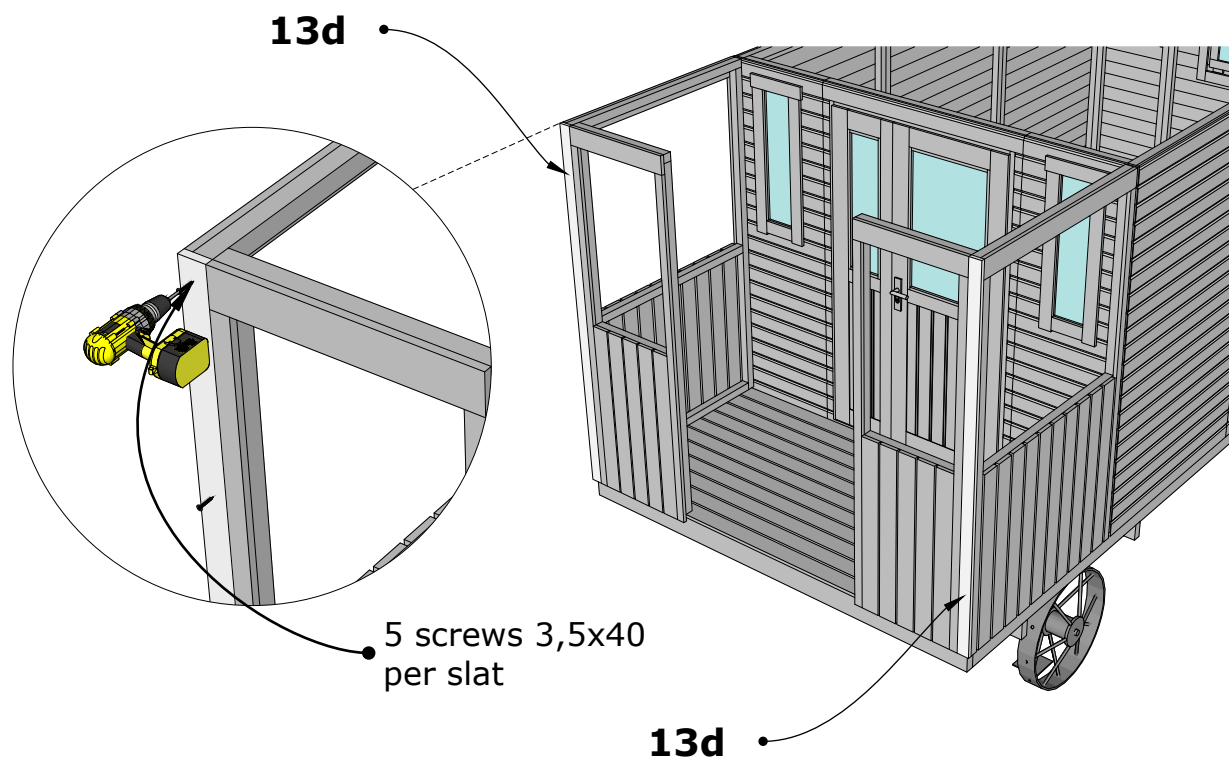
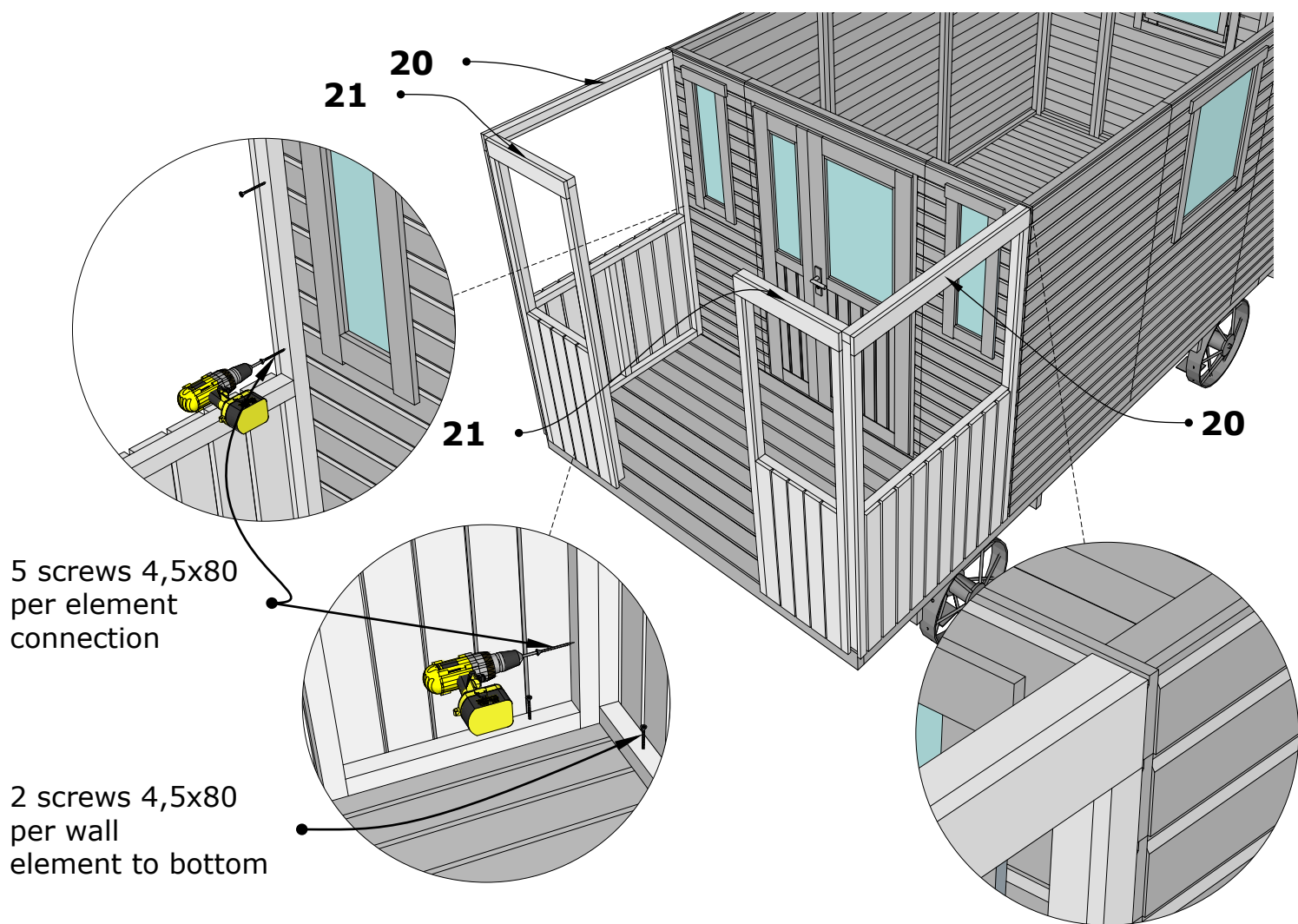
3d

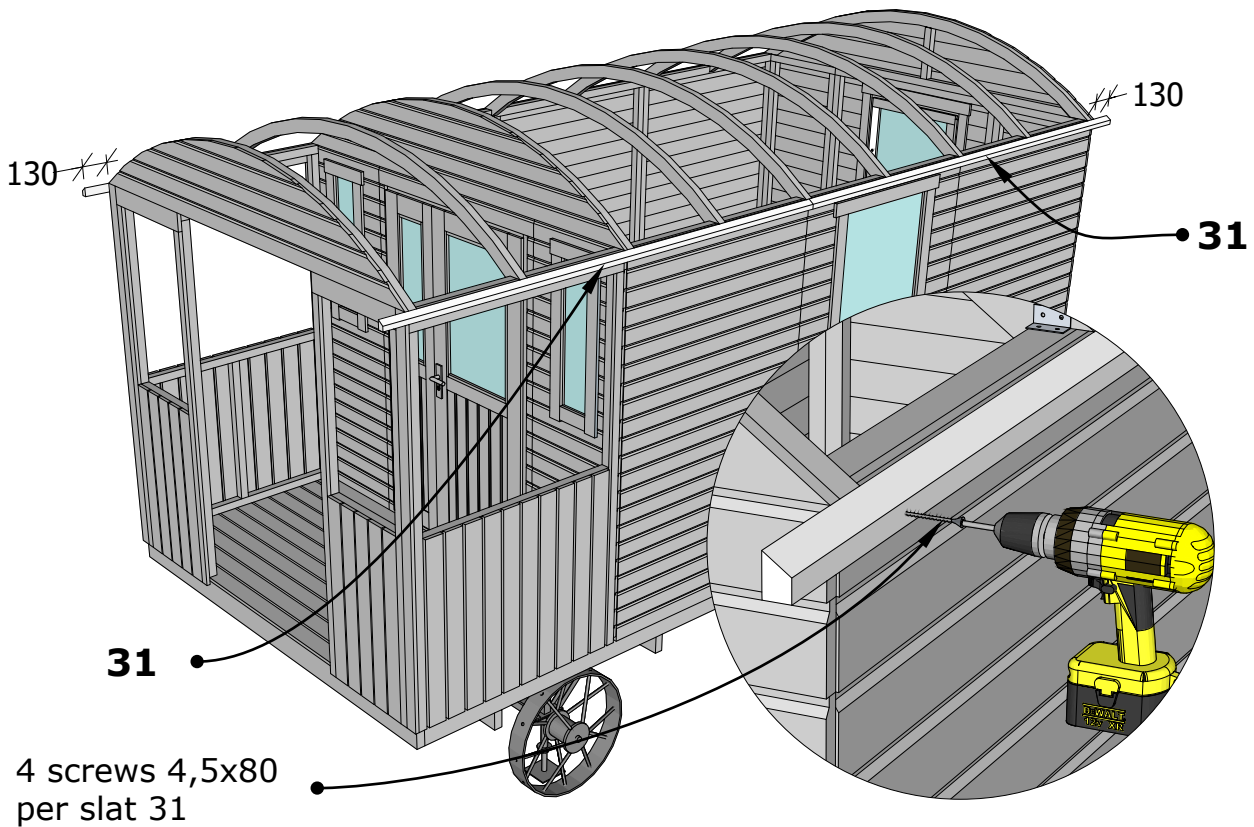
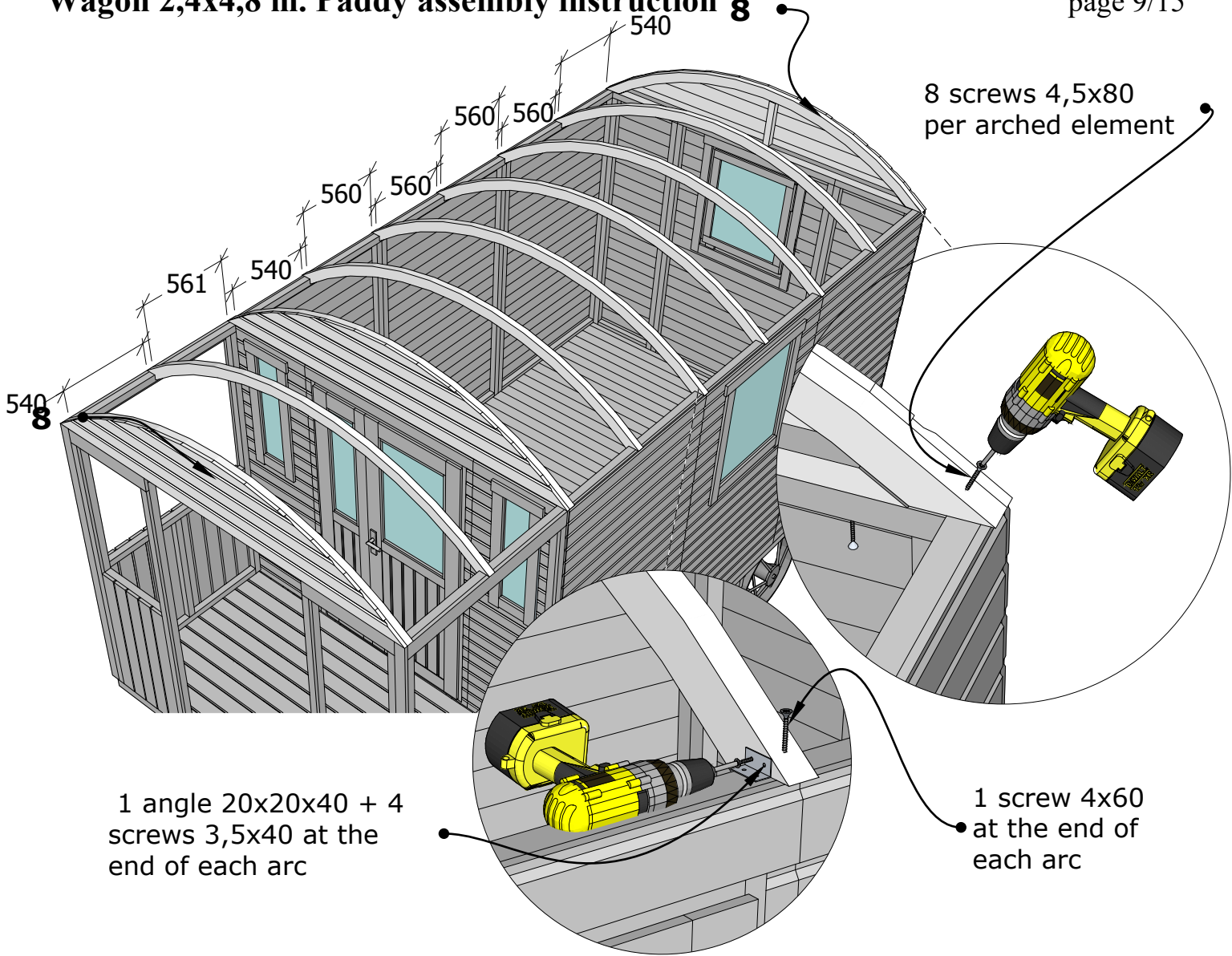


13



use a nail gun





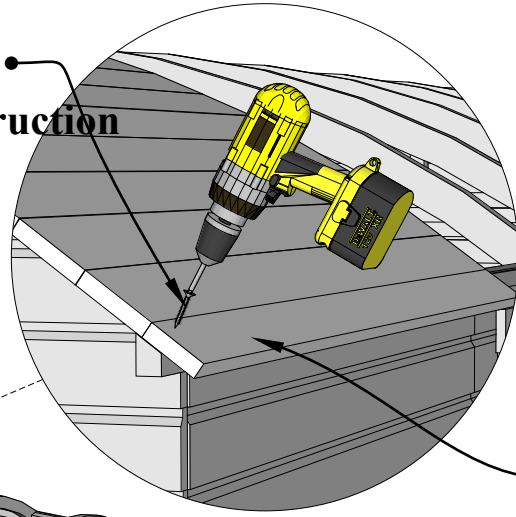
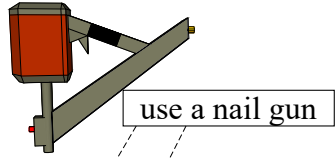
Wagon 2,4x4,8 m. Paddy assembly instruction

3 screws 3,5x40
per roof board 9b

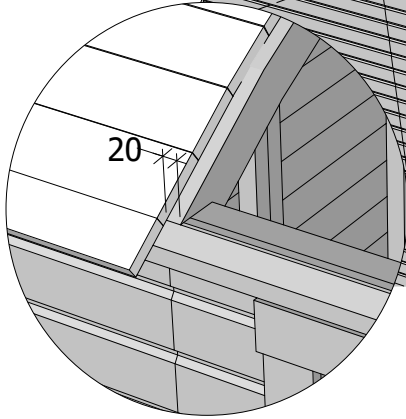
• 10b

• 10b

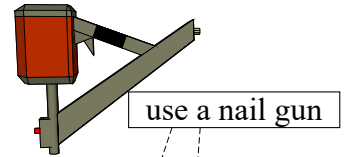
• 9b



• 9b



20

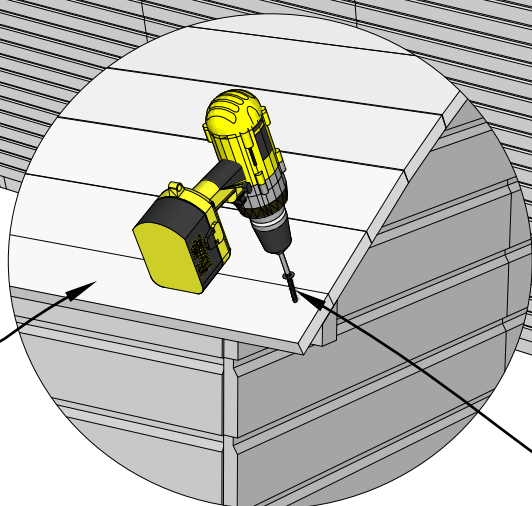


10a

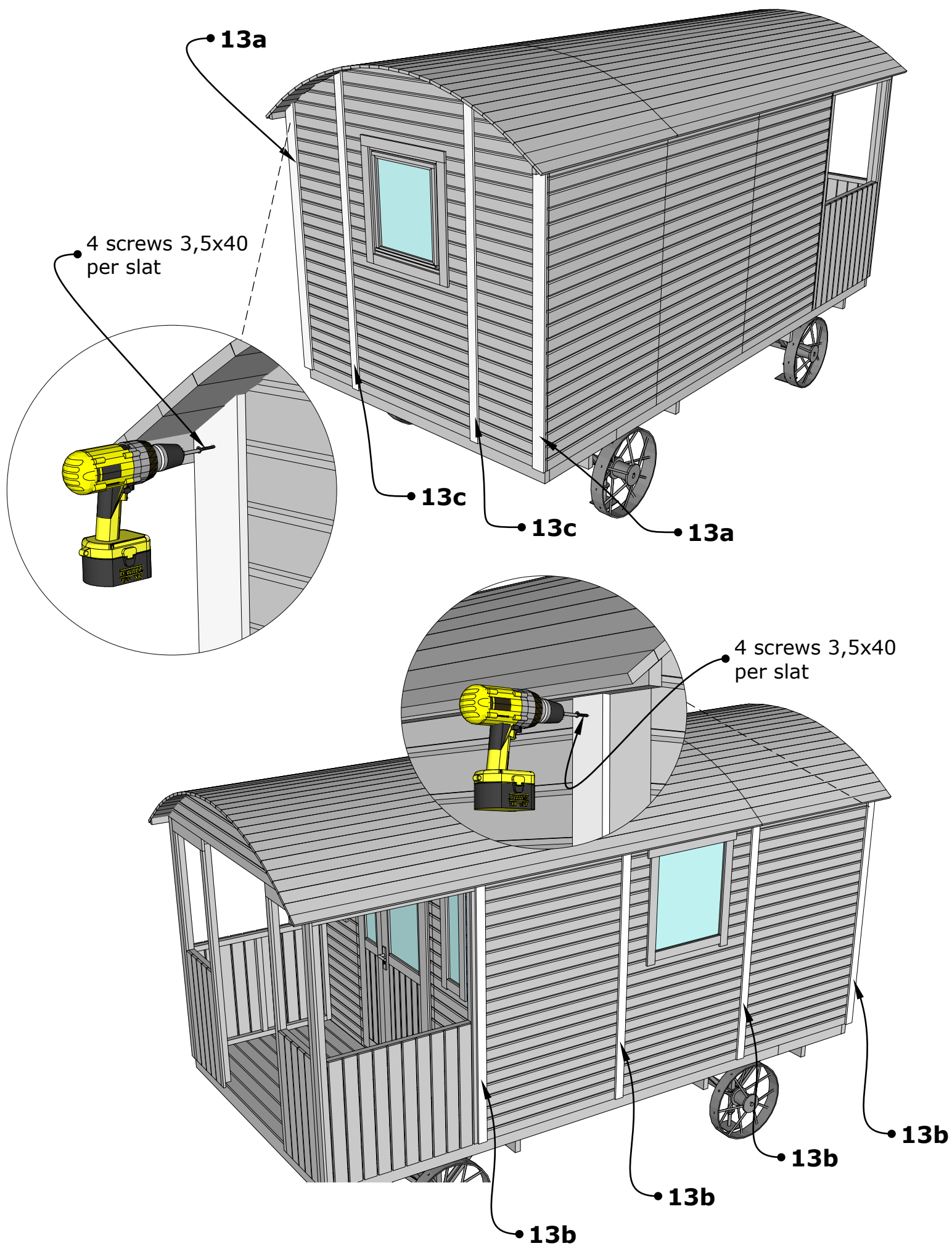
10a

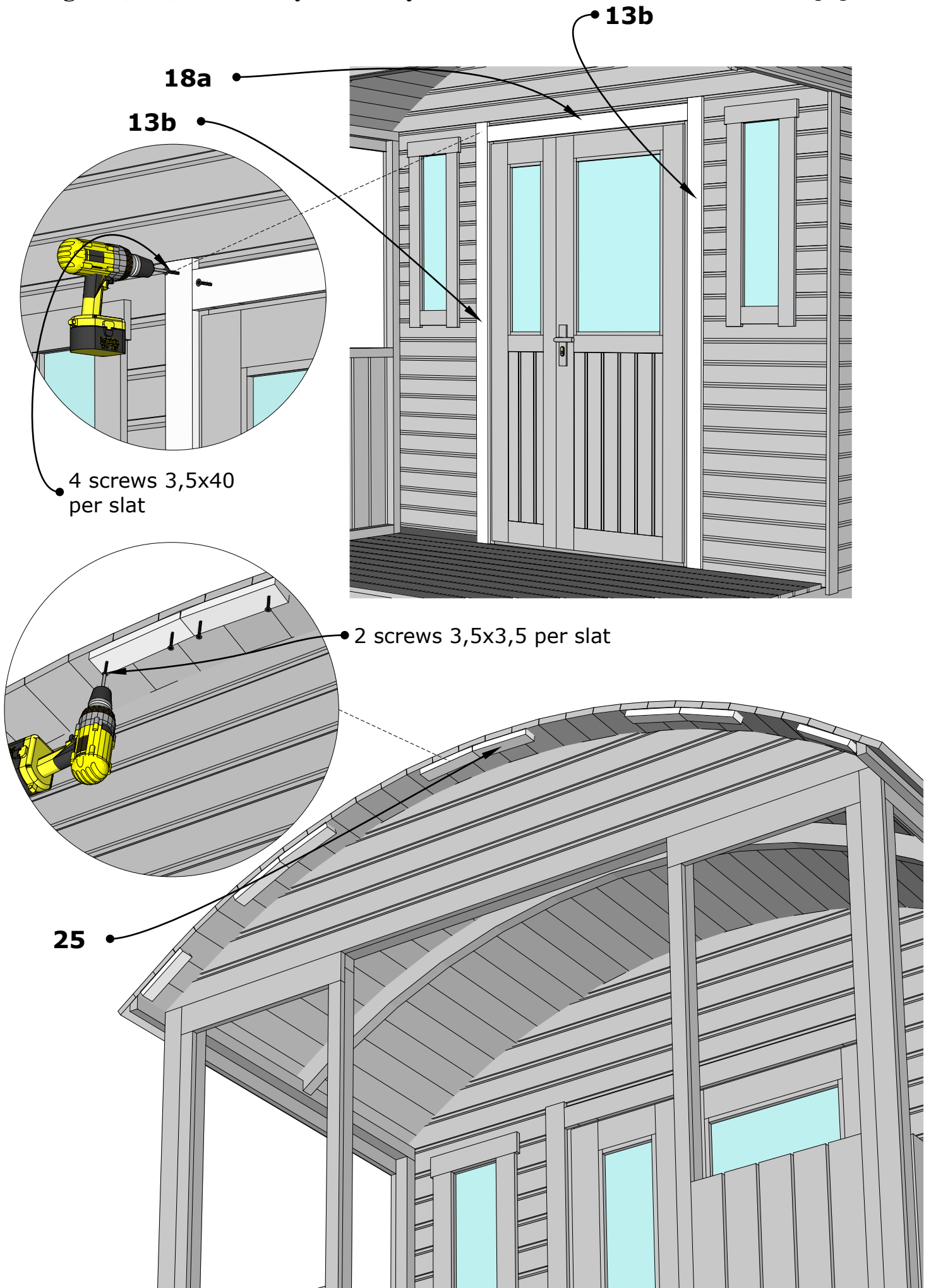
9a

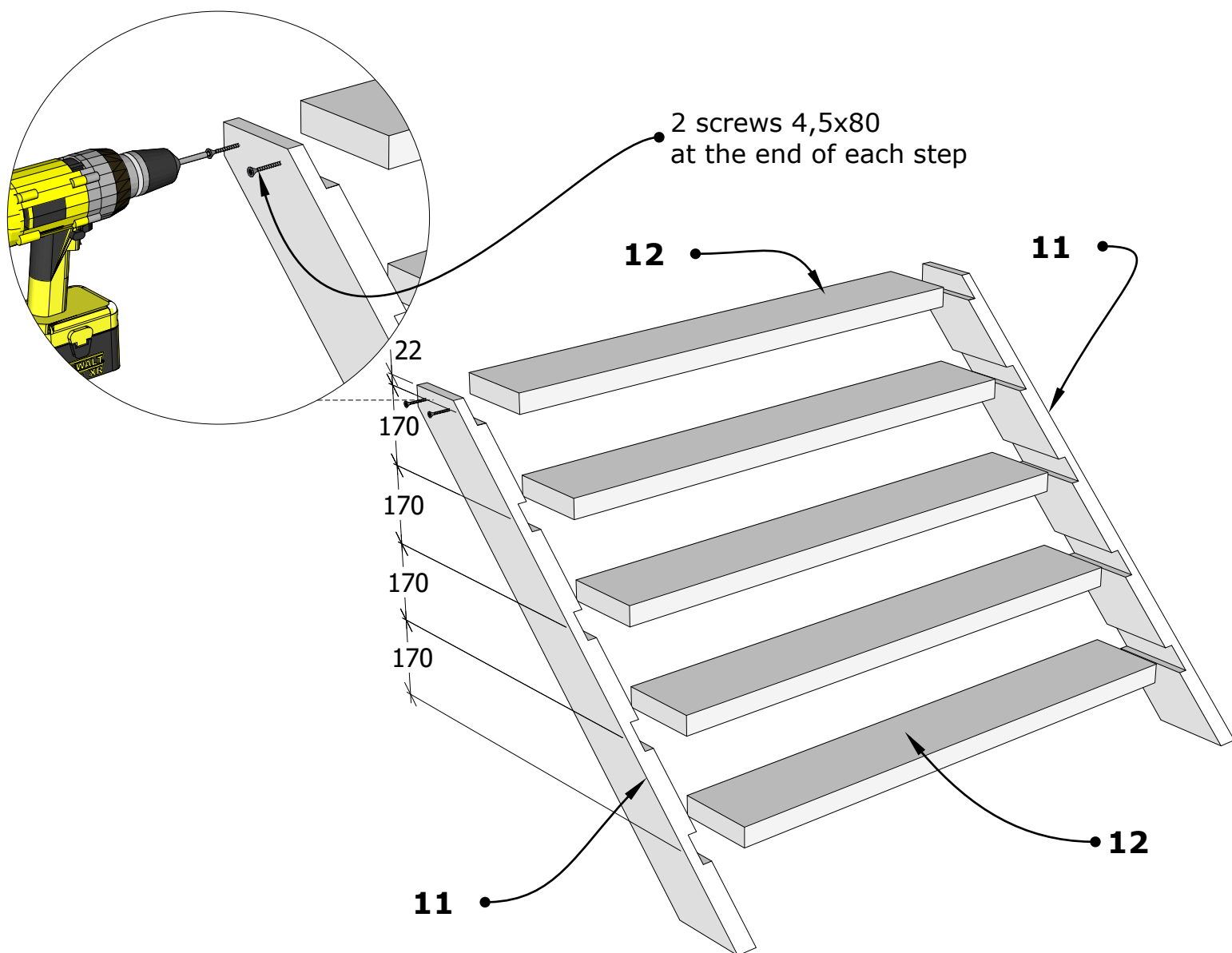
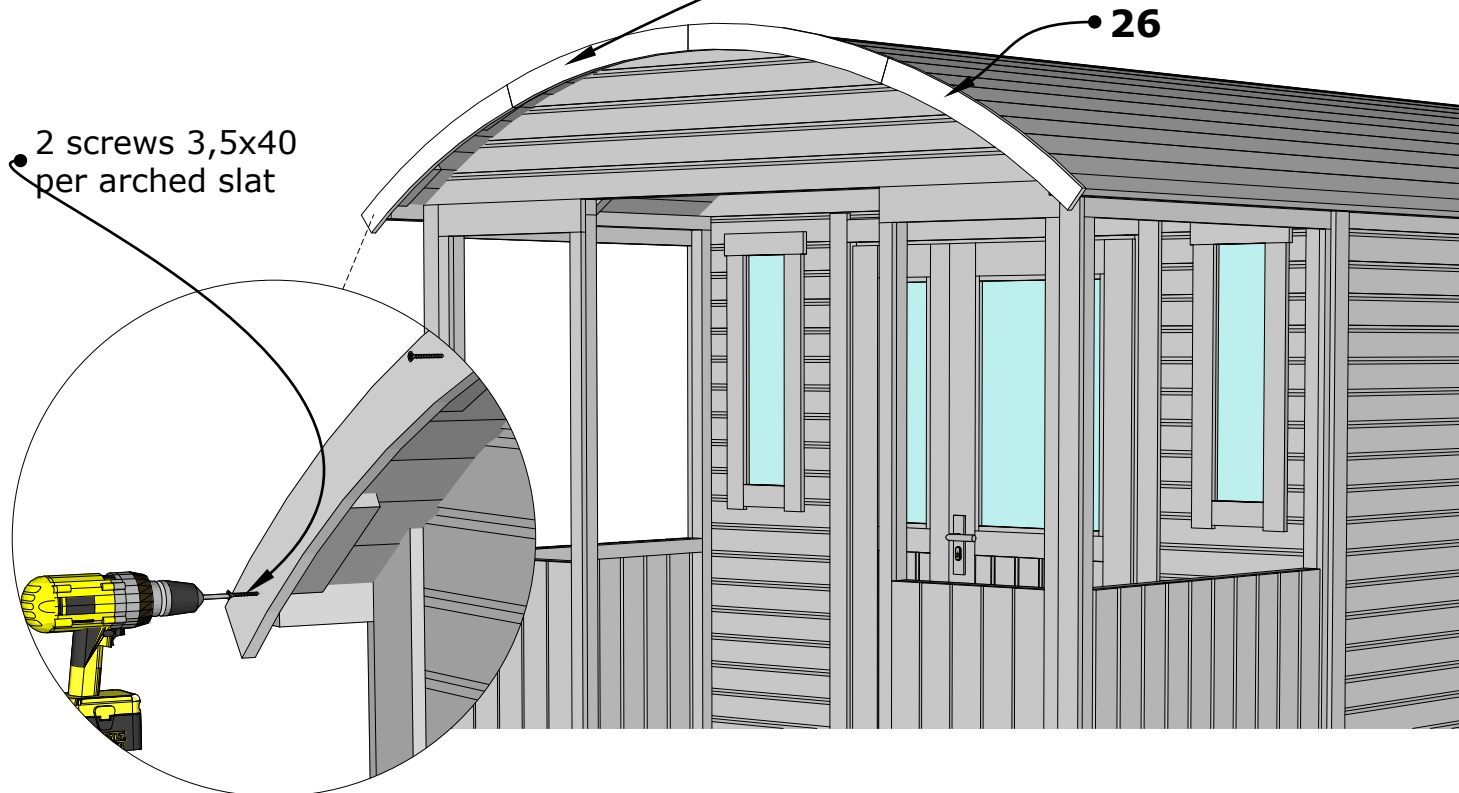
• 9a

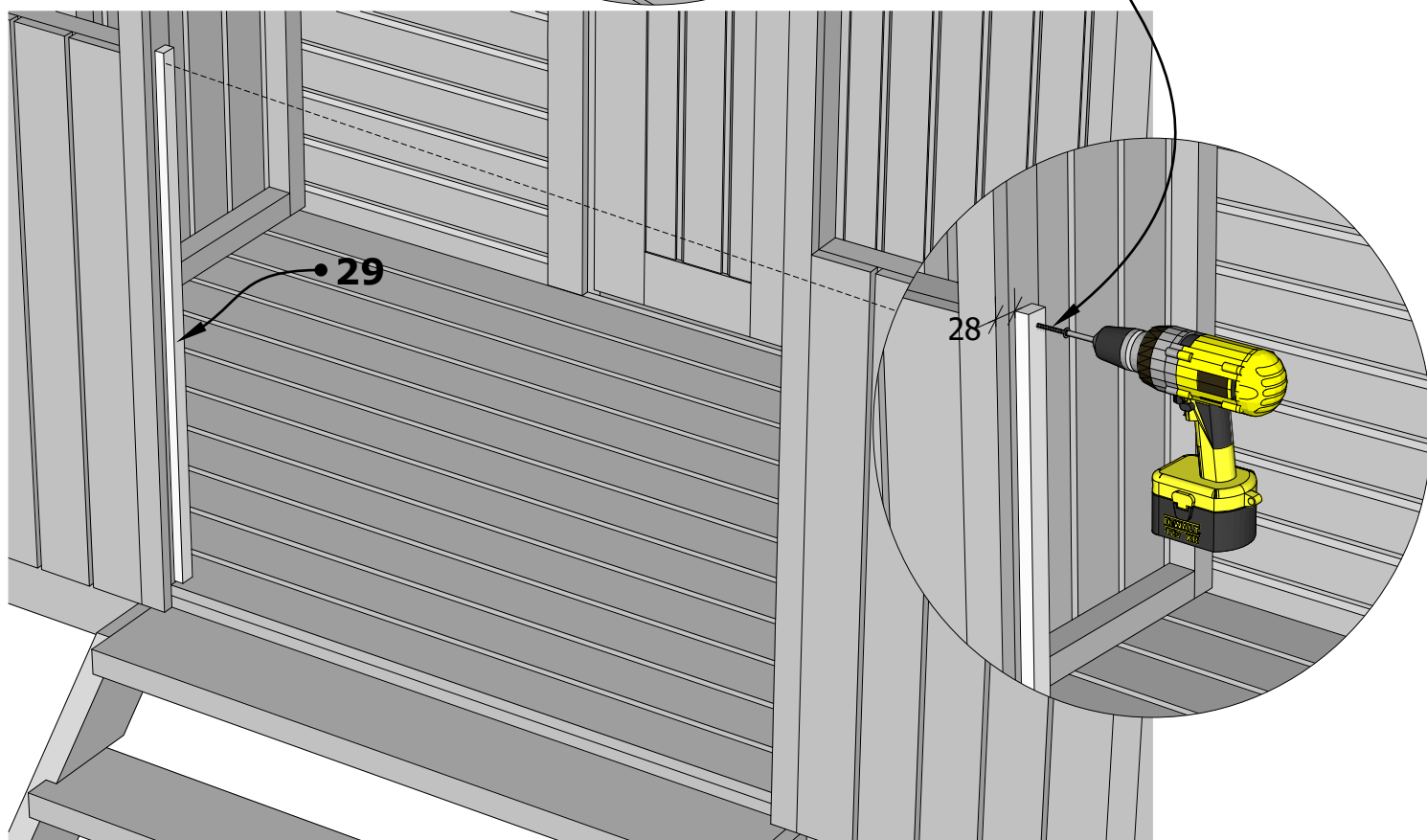
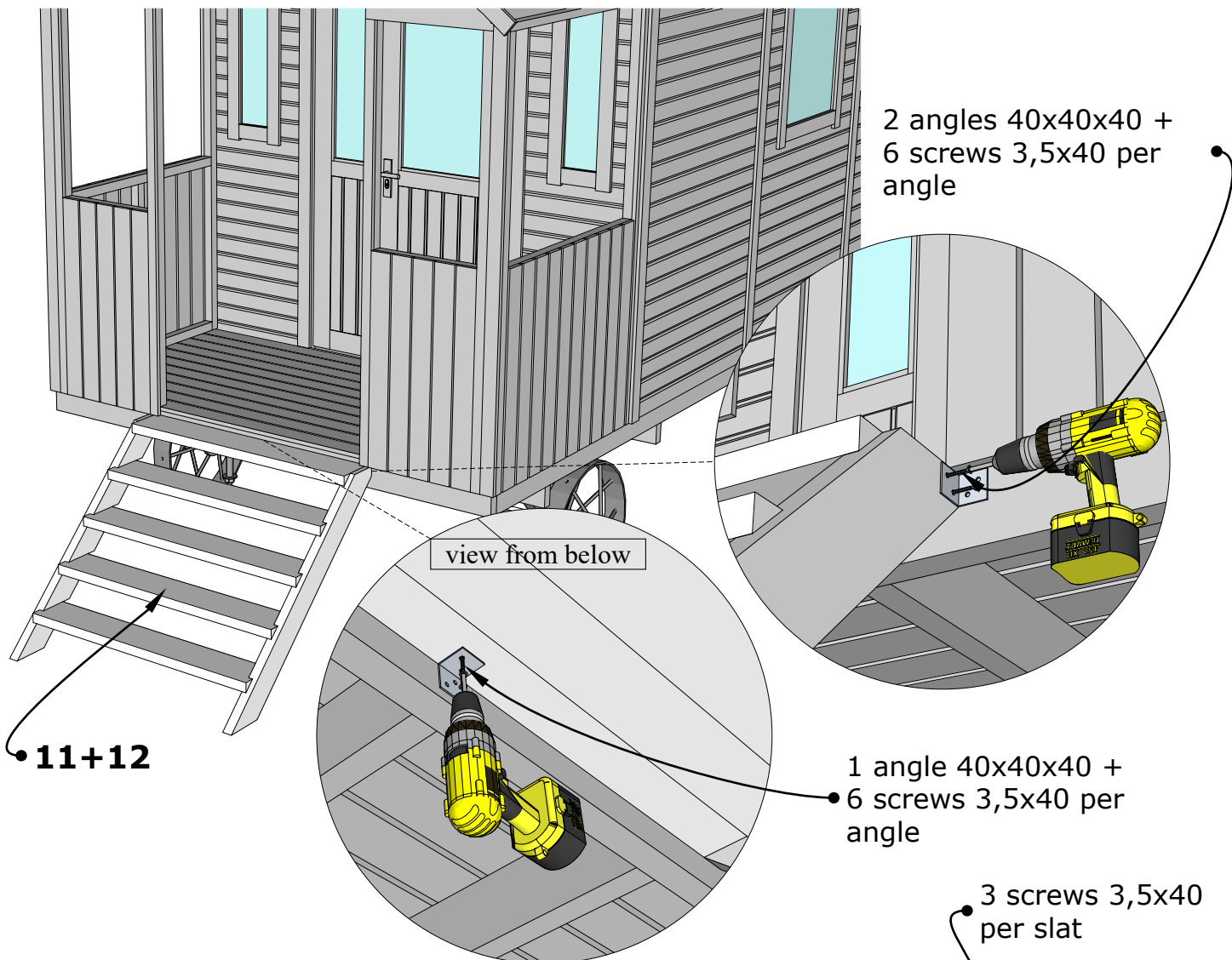


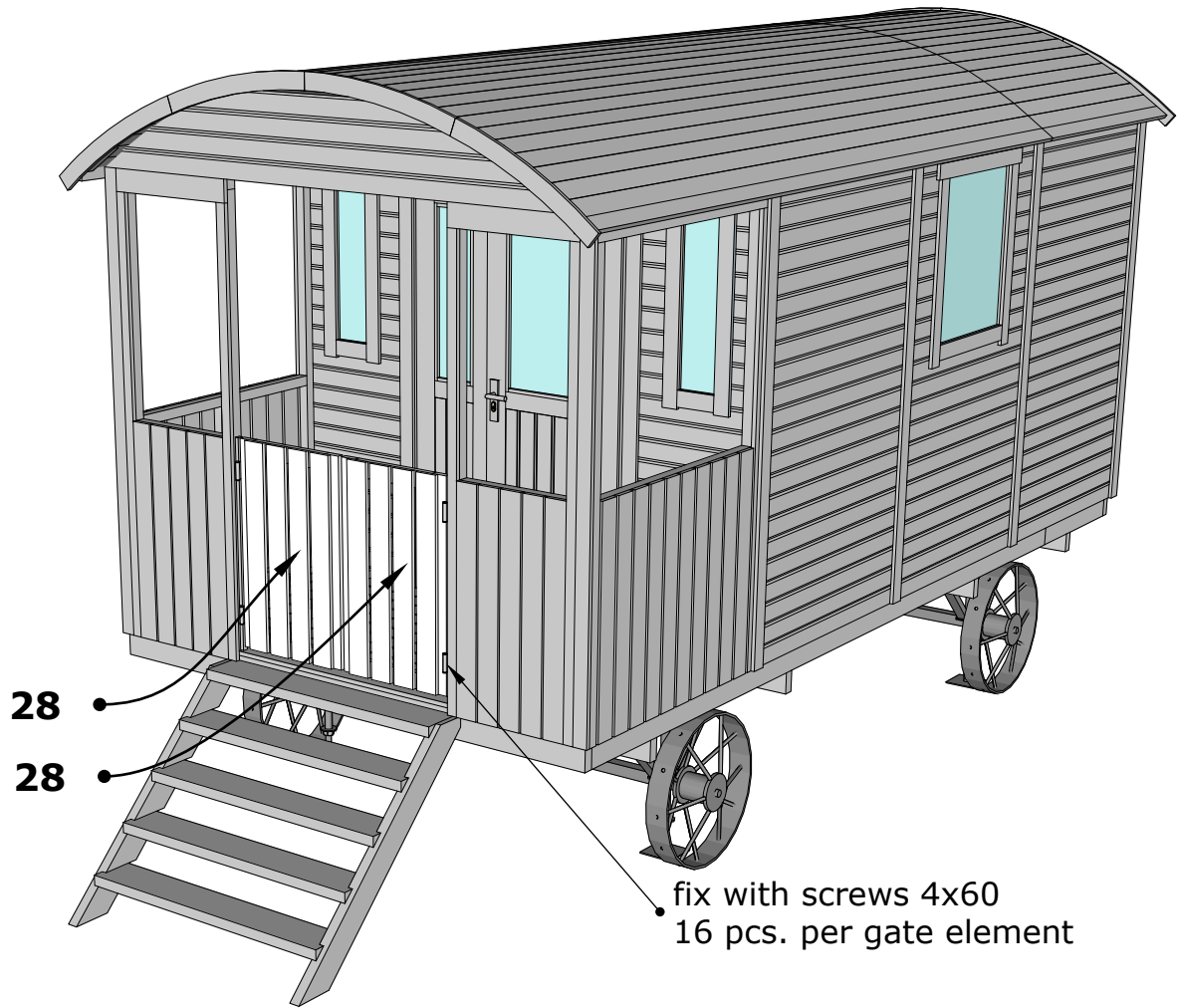
9 screws 3,5x40
• per roof board 9a











PRODUCT:
WIN-code:
Article:

Packing list	Page
GW Paddy 360+120	1/2
XXXX - XX - XX	
40.0161	

element nr.	element's name	quantity	dimension (mm.)	specify
1a	bottom beam	4	44 x 94 x 2368	
1b	bottom beam	4	44 x 94 x 1000	
1c	bottom beam	2	44 x 120 x 2368	
2a	bottom beam	7	44 x 120 x 4000	
2b	bottom beam	7	44 x 120 x 712	
2c	bottom beam	7	44 x 120 x 1600	
3a	floorboard	1	19 x 90 x 2368	first
3b	floorboard	39	19 x 90 x 2368	
3d	floorboard veranda	11	19 x 94 x 2368	
4a	end wall, right	1	600 x 1980	
4b	end wall, left	1	600 x 1980	
4c	wall with open window	1	1200 x 1980	
5a	wall	5	1200 x 1980	
5b	wall with non-open window	1	1200 x 1980	
6a	front wall, right with n.o.window	1	600 x 1958	
6b	front wall, left with n.o.window	1	600 x 1958	
6c	front wall with installed door	1	1200 x 1980	
7	inner arch support	6	455 x 2406	
8	outer arch support, covered	3	2406 x 416	with panel
9a	roof board	1+1	19 x 70 x 3749	first/last
9b	roof board	1+1	19 x 70 x 1349	first/last
10a	roof board	29	19 x 90 x 3749	
10b	roof board	29	19 x 90 x 1349	
11	stairs side	1+1	44 x 120 x 1205	45° //
12	stairs tread	5	44 x 170 x 1152	
13a	end wall edge cover slat	2	16 x 94 x 2050	end 37°
13b	side edges cover slat	10	16 x 70 x 1936	
13c	end wall middle cover slat	2	16 x 70 x 2314	end 20°
13d	verandas wall cover slat	2	19 x 63 x 1980	
18	slat under the doorway	1	15 x 19 x 1112	
18a	doorway's upper slat	1	16 x 70 x 1106	
20	porch element 1181	2	1181 x 1980	
21	porch element 590	2	590 x 1980	
25	roof edge arc fixing brick	16	19 x 40 x 180	
26	roof edge arc	8	L = 710 mm.	arc-element
28	porch gate element	2	516 x 880	
29	porch gate slat	2	16 x 25 x 900	
31	the upper feather key fasteners set assembly instruction	4	28 x 44 x 2549	edge 37°

Metal parts:

50	wagon wheel	4
51	wagon wheels washer	4
51a	wheel`s splint	4
52	wagon axle	2
53	basemment support	4
54	bolts and nuts for basement	4
55	adjustable support leg	4
56	adjustable leg`s nut M27	4
57	bolt M10, L = 70 mm.	12
58	bolt M10, L = 110 mm.	4
59	nut M10	16
60	washer M10	32