

Always keep the package number saved! Without package number their is no guarantee.
 Package number:

WALL LOG (mm): 28

BUILDING CODE

Sigrid

SIZE (mm): 4400x3000

COMPONENT SPECIFICATION

NUMBER	COMPONENT FUNCTION	COMPONENT CODE	VIEW	SIDE VIEW	DIMENSIONS (mm)			QUANTITY (psc.)
					LENGHT	WIDTH	THICKNESS	
1	Wall board	A1			3434	115	28	1
2	Wall board	A2			2014	115	28	5
3	Wall board	A3			617	115	28	10
4	Wall board	A4			617	115	28	10
5	Wall board	A5			2980	115	28	1
6	Wall board	A6			200	115	28	16
7	Wall board	B1,A7			4400	115	28	19
8	Wall board	B2,A8			4400	115	28	2
9	Wall board	D2,E2,C5			3000	115	28	38
10	Wall board	C6,E3			3000	115	28	2
11	Wall board	C2			2034	115	28	6
12	Wall board	C3			627	115	28	10
13	Wall board	C4			627	115	28	10
14	Wall board							
15	Wall board							
16	Wall board							
17	Wall board							
18	Wall board							
19	Wall board							
20	Wall board							
21	Wall board							
22	Wall board							
23	Wall board							
24	Wall board	C1			2034	60	28	1
25	Wall board	D1,E1			3000	60	28	2
26	Wall board	D3			3000	115	28	1
27	Window				770	1120		2
28	Door				1200	1880		1
29	Door				1200	1880		1
30	Roof cover fixture				3300	100	16	2
31	Roof cover fixture				2350	100	16	4
32	Roof board					110	19	8
					1430	110	19	34
33	Beam				2302	60	40	4
34	Beam				1715	60	40	4
35	Beam				1700	60	40	2
36	Beam				1754	60	40	2
37	Beam				990	60	40	8
38	Beam				1390	120	40	1
39	Trigonal							1

PACKAGE NR.:

MNFCT. ORDER NR.:

CONTROL 1

CONTROL 2

PAGE/PAGES:

1/7

SIGNATURE

SIGNATURE

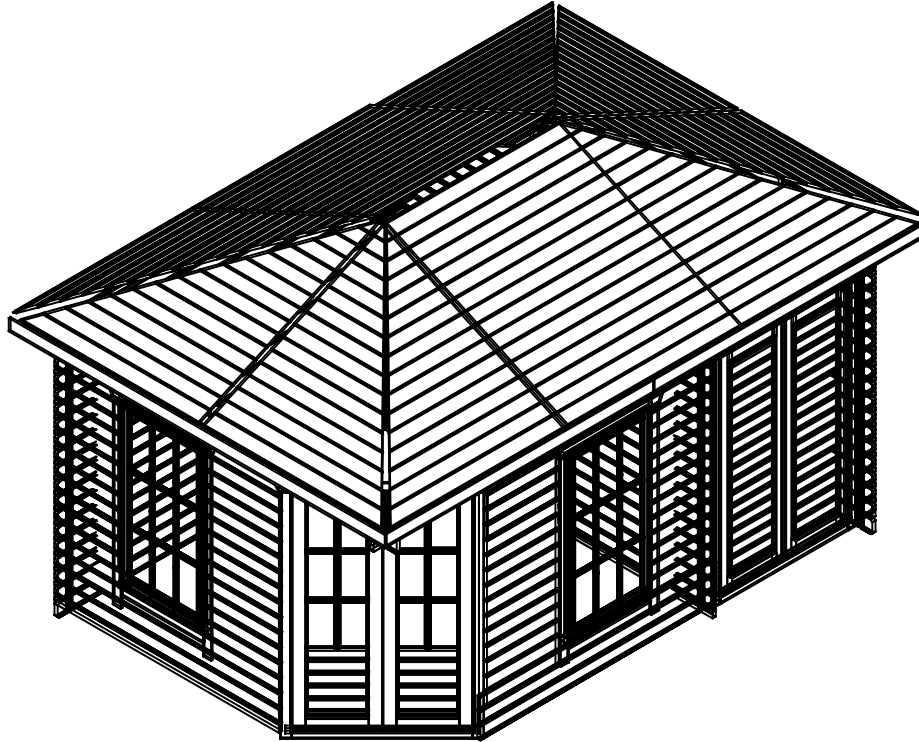
BUILDING CODE

Sigrid

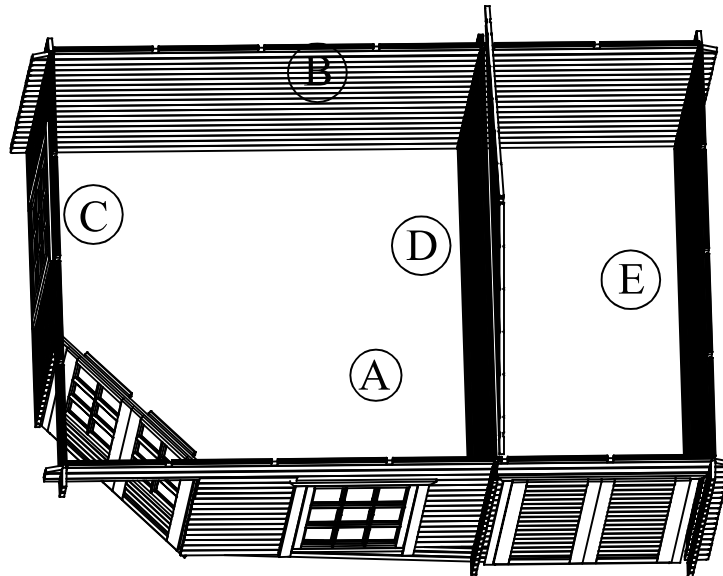
WALL LOG (mm): 28

SIZE (mm): 4400x3000

ISOMETRIC VIEW



TOP VIEW



PACKAGE NR.:

MNFCT. ORDER NR.:

CONTROL 1

CONTROL 2

SIGNATURE

SIGNATURE

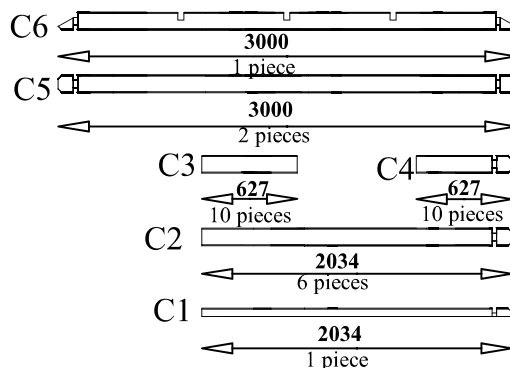
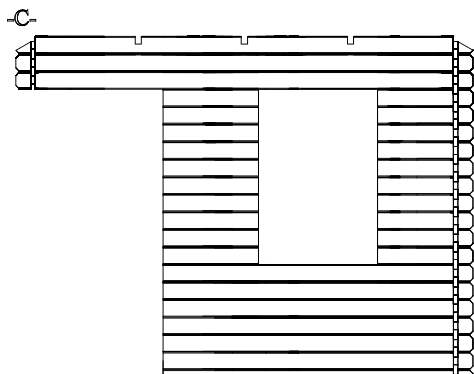
PAGE/PAGES: **2/7**

BUILDING CODE **Sigrid**

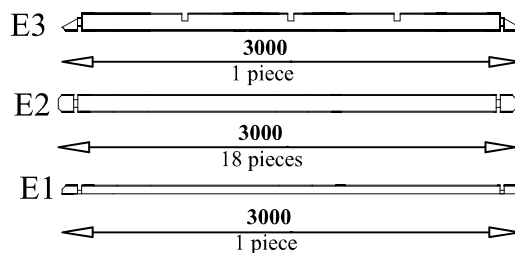
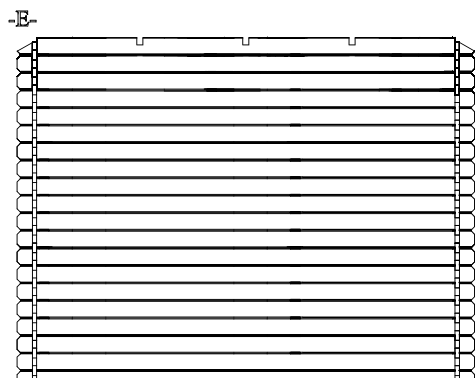
WALL LOG (mm): 28

SIZE (mm): 4400x3000

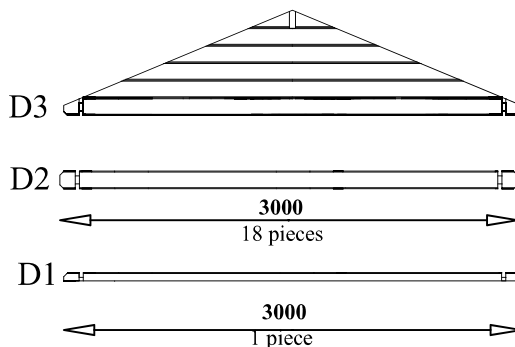
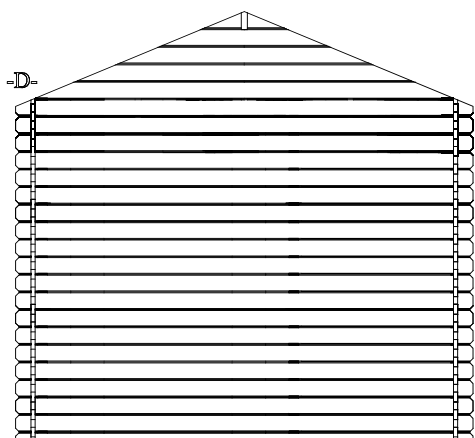
FRONT VIEW



INSIDE VIEW



BACK VIEW



PACKAGE NR.:

MNFACT. ORDER NR.:

CONTROL 1

CONTROL 2

SIGNATURE

SIGNATURE

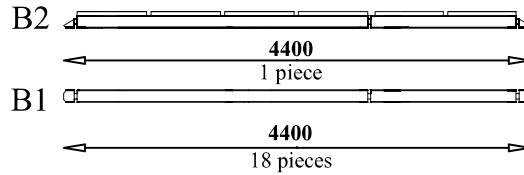
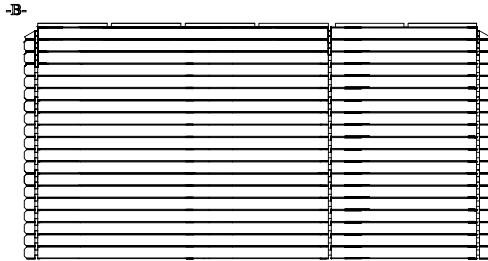
PAGE/PAGES: **3/7**

BUILDING CODE **Sigrid**

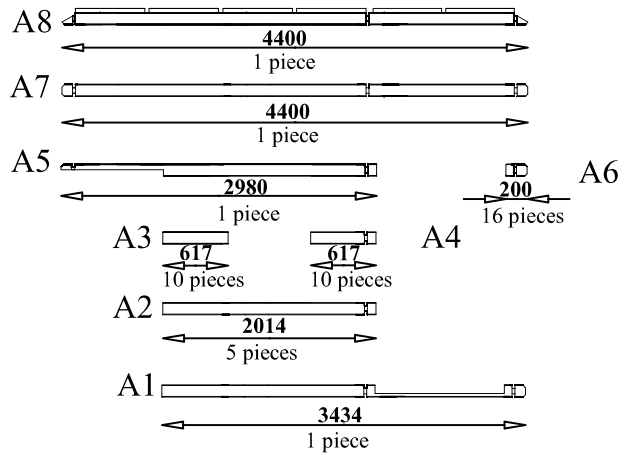
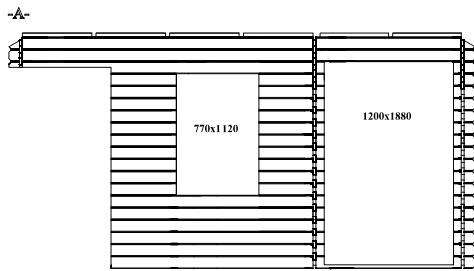
WALL LOG (mm): 28

SIZE (mm): 4400x3000

LEFT VIEW



RIGHT VIEW



PACKAGE NR.:

MNFCT. ORDER NR.:

CONTROL 1

CONTROL 2

SIGNATURE

SIGNATURE

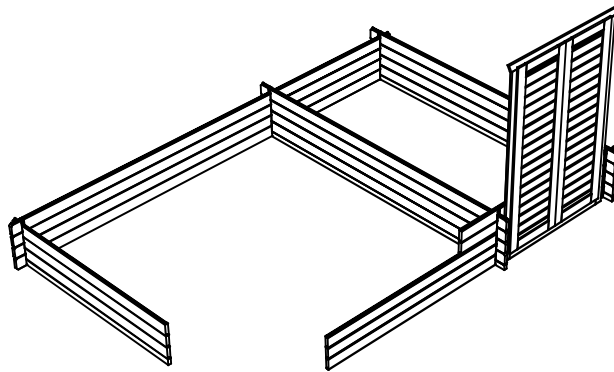
PAGE/PAGES: **4/7**

BUILDING CODE **Sigrid**

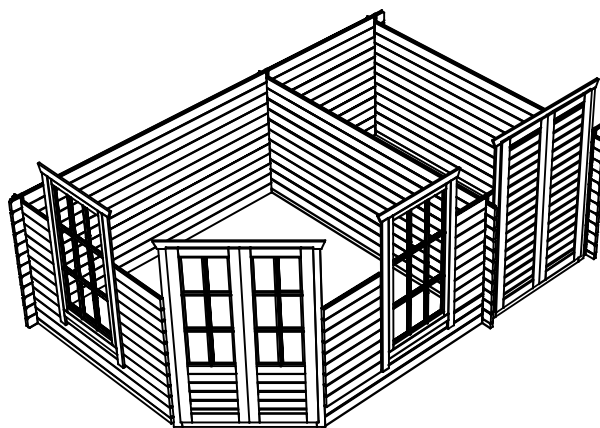
WALL LOG (mm): 28

SIZE (mm): 4400x3000

CONSTRUCCION 1



CONSTRUCCION 2



PACKAGE NR.:

MNFCT. ORDER NR.:

CONTROL 1

SIGNATURE

CONTROL 2

SIGNATURE

PAGE/PAGES: **5/7**

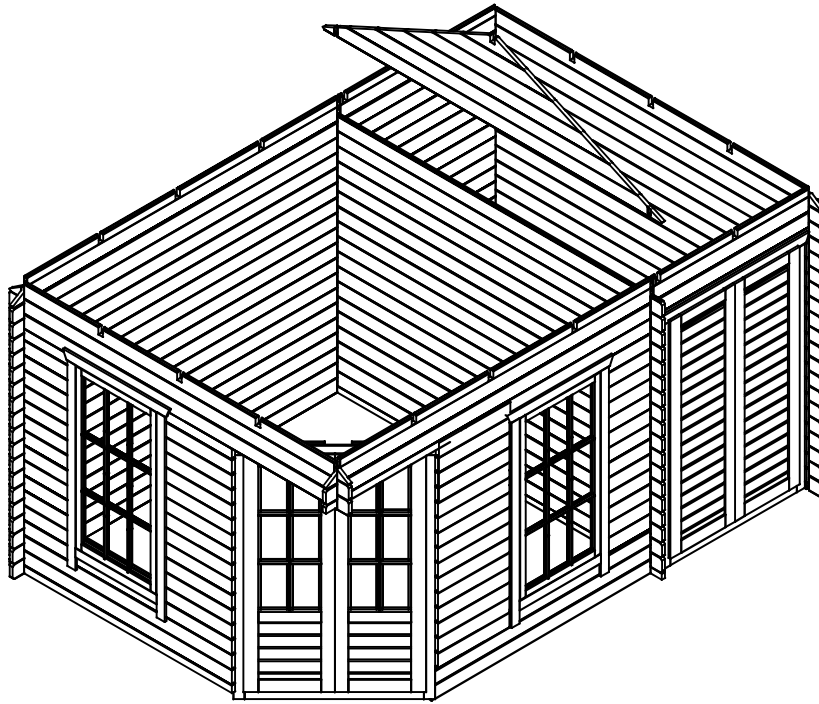
BUILDING CODE

Sigrid

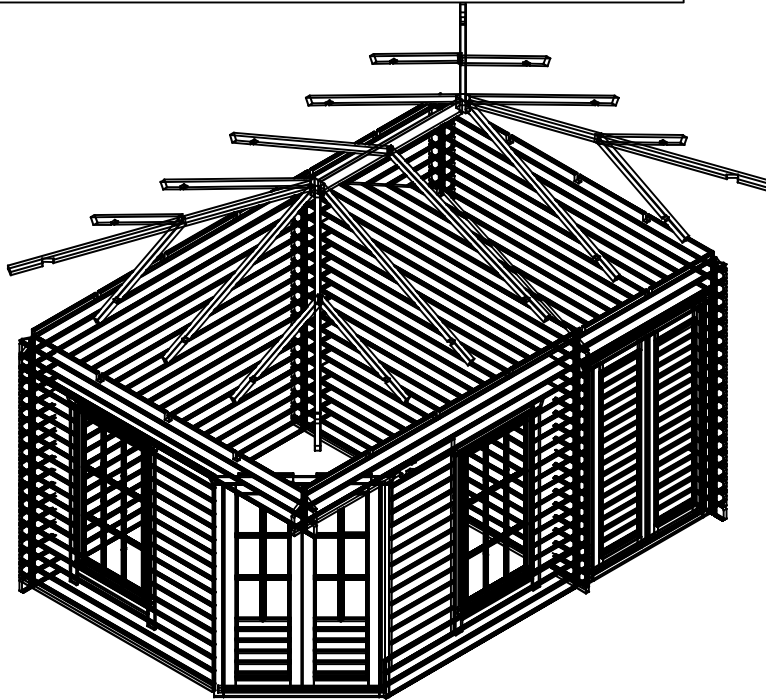
WALL LOG (mm): 28

SIZE (mm): 4400x3000

CONSTRUCCION 3



CONSTRUCCION 4



PACKAGE NR.:

MNFCT. ORDER NR.:

CONTROL 1

CONTROL 2

SIGNATURE

SIGNATURE

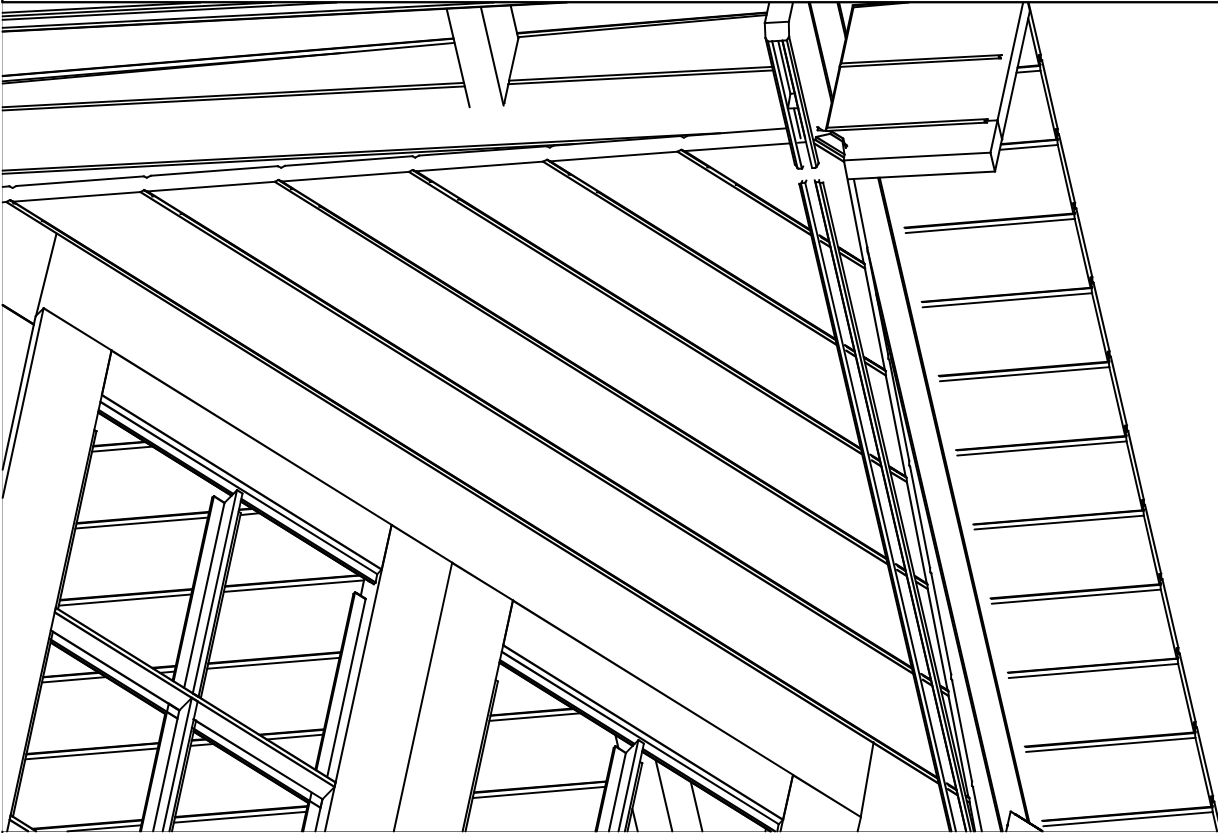
PAGE/PAGES: **6/7**

BUILDING CODE **Sigrid**

WALL LOG (mm): 28

SIZE (mm): 4400x3000

ISOMETRIC ROOF'S CONSTRUCTION



PACKAGE NR.:

MNFCT. ORDER NR.:

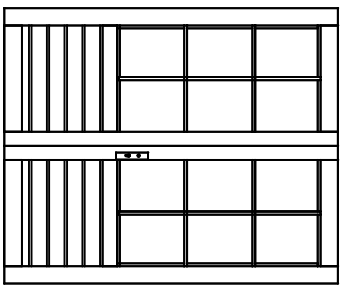
CONTROL 1

CONTROL 2

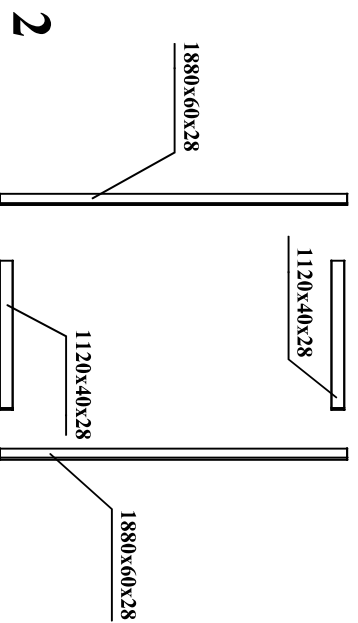
SIGNATURE

SIGNATURE

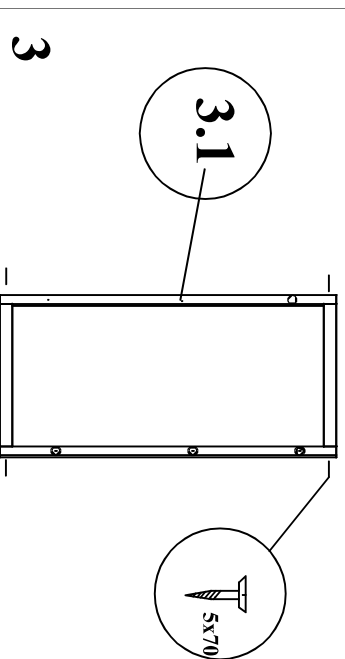
PAGE/PAGES: **7/7**



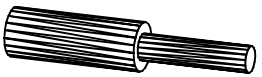
1



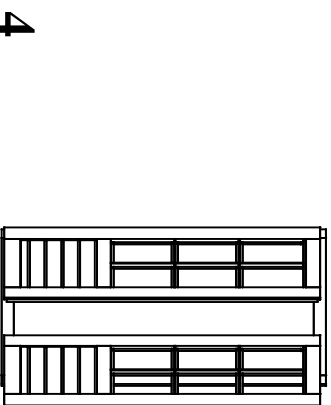
2



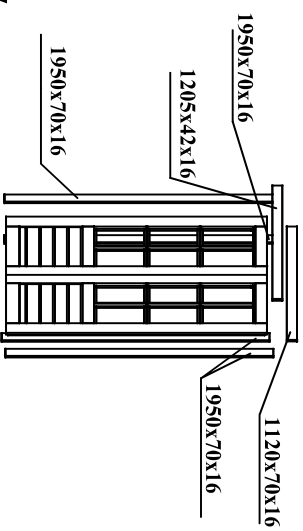
3



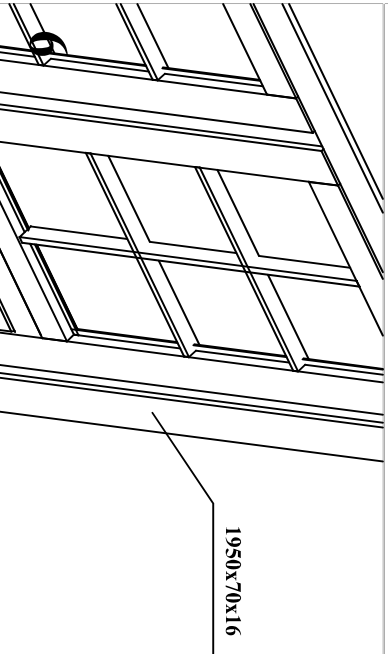
3.1



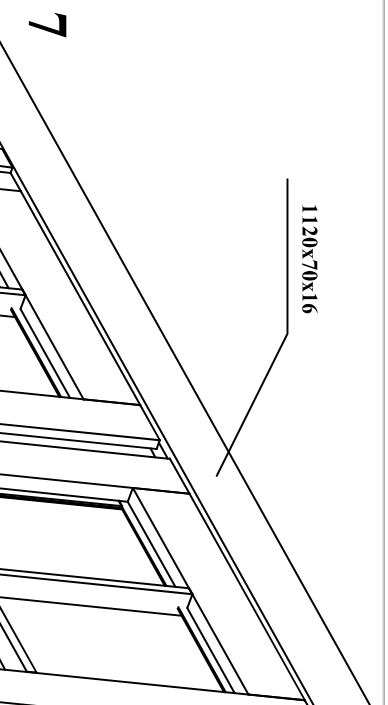
4



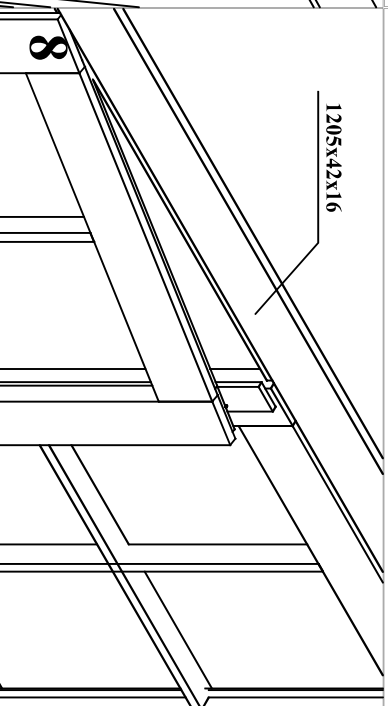
5



6



7



8

