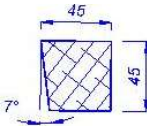
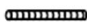
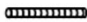








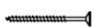
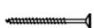




Installation drawings
TAMPERE 70 L



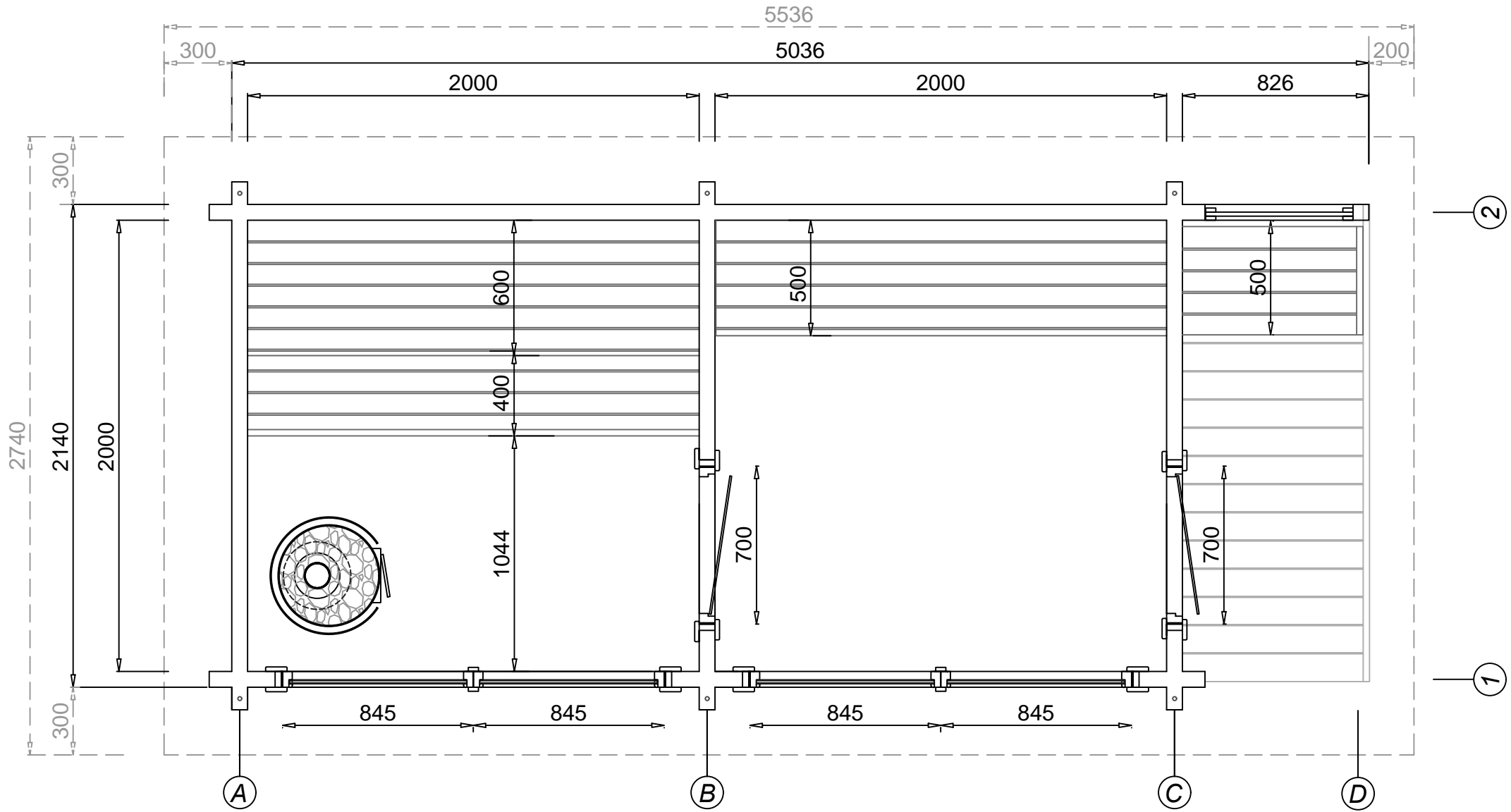
Installation drawings

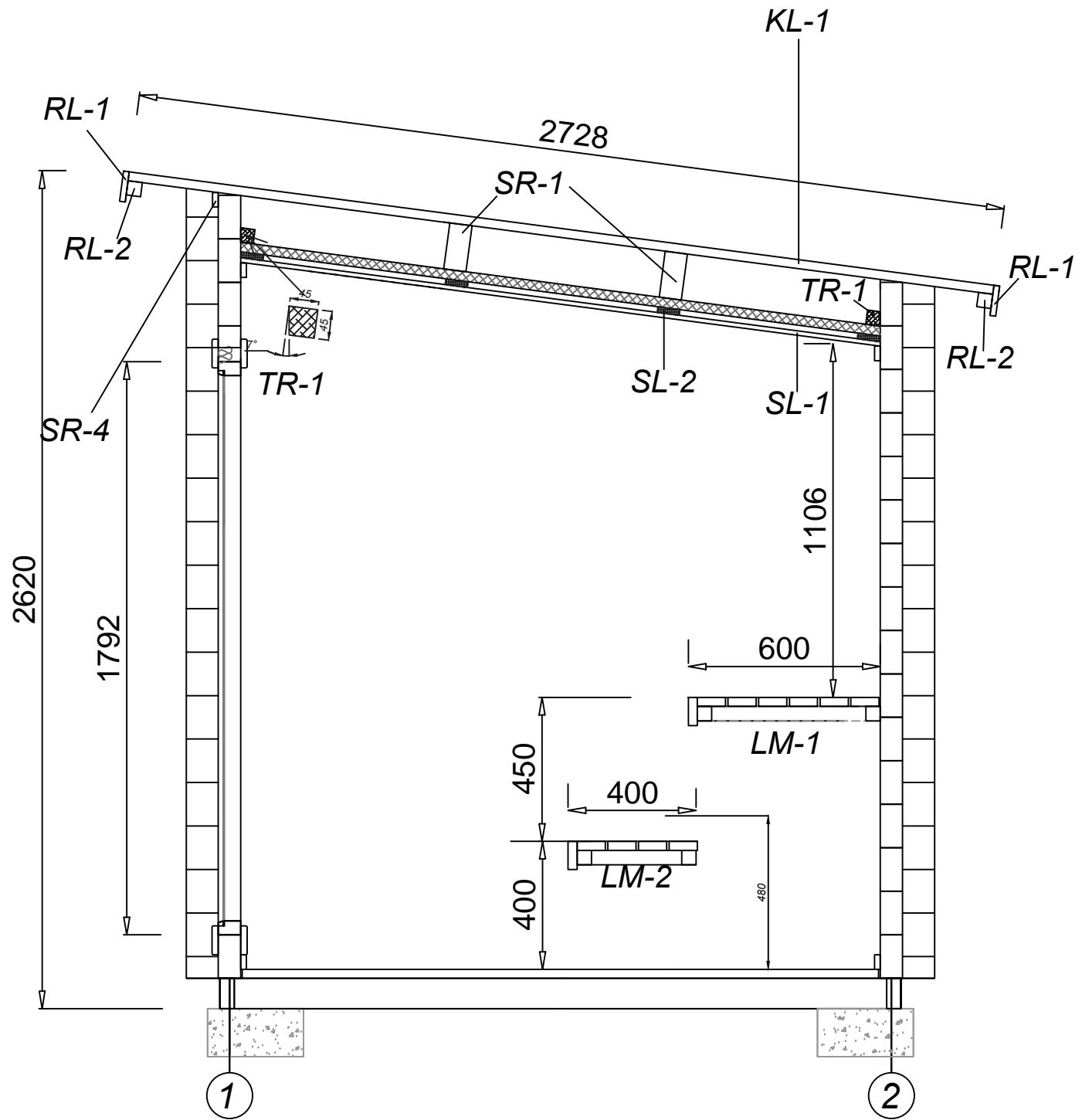
AR-1	45x95 FLOOR FRAME		4986	1	
AR-1B	45x95 FLOOR FRAME	<i>cutout 45x25</i>	4986	1	
AR-2	45x95 FLOOR FRAME		2000	18	
AR-3	45x70 FLOOR FRAME		2000	1	
TL-1	28x120 DECKING BOARD		800	18	
TL-2	28x120 DECKING BOARD		2090	1	
PL-1	24x120 FLOOR BOARD (FRONT ROOM)		1995	21	
PL-2	24x120 FLOOR BOARD (SAUNA ROOM)		1960	21	
SR-1	70x145 ROOF RAFTER		5533	2	
KL-1	24x120 ROOF BOARD		2728	53	
SL-1	STP 14x121 CEILING BOARD SAUNA ROOM		2015	20	
TR-3	45x45 SUPPORT DETAIL FOR SL-1		2000	2	
SL-2	18x45 DISTANCE BOARD FOR SL-1		2000	4	
RL-2	45x45 ROOF EDGE SUPPORT		5536	2	
RL-1	18x95 ROOF EDGE BOARD		~5,6	2	
RL-1	18x95 ROOF EDGE BOARD		~3,0	2	
PP-1	15x55 FLOOR AND CEILING MOULDINGS		~2,4	12	
SR-4	15x55 MOULDING FOR OUTSIDE GAP		~2,4	6	
	WINDOW 70x845x1792 DOUBLE GLASS			4	
	DOOR 70x690x1860 DOUBLE GLASS			1	
	GLASS DOOR 70x690x1860			1	
	18x95 DOOR MOULDING	EXTRA	~2,4	2	
UK-1	18x95 DOOR MOULDING		1890	8	
UK-2	18x95 DOOR MOULDING		920	4	

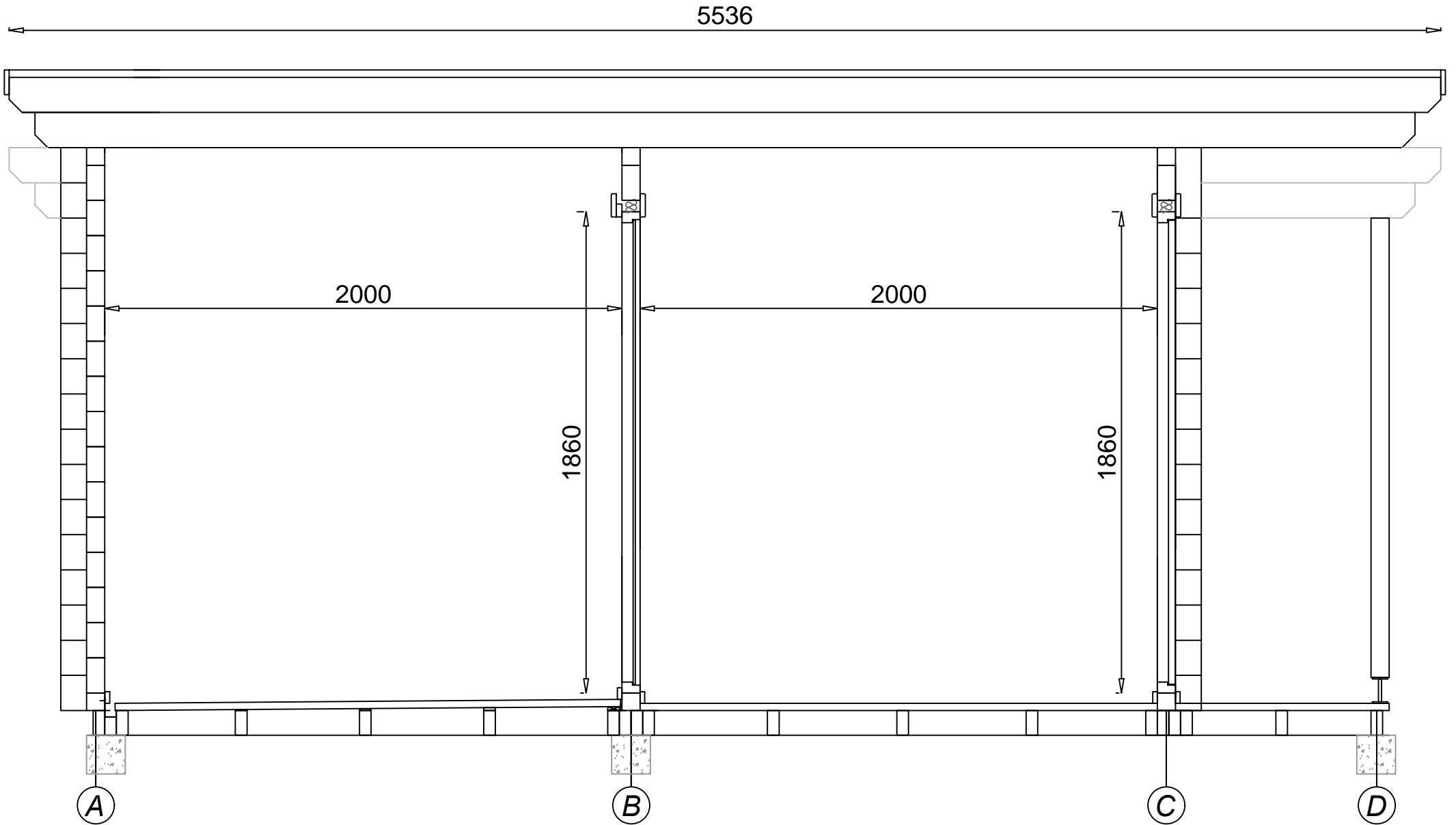
UK-3	18x60 DOOR MOULDING		670	4	
AK-1	18x95 WINDOW MOULDING		1900	4	
AK-2	18x95 WINDOW MOULDING		1877	8	
AK-3	18x95 WINDOW MOULDING		1650	4	
AK-4	18x45 WINDOW MOULDING		1752	4	
TE-1	28x30 + 28x70 WINDOW FIXING FILLET "T"		1792	4	
TE-2	28x30 + 28x70 DOOR FIXING FILLET "T"		1860	4	
VS-1	GRID WALL 650x1756			1	
NP-1	70x70 CORNER POST		1776	1	
LM-1	BENCH MODULE 600x1992 + SUPPORTS			1	
LM-2	BENCH MODULE 400x1992 + SUPPORTS			1	
LM-3	BENCH MODULE 500x1992 + SUPPORTS			1	
LM-4	OUTDOOR BENCH 536x750 + SUPPORTS			1	
	BENCH SUPPORTS "HALDEN L"			1	
LT-1	45x45 VERTICAL BENCH SUPPORT WITH REGULATIVE FEET		850	1	
	VENTILATION LOUVER WOOD D100			2	
	VENTILATION GRID METAL D100			4	
	PIR CEILING INSULATION 30x600x1200			6	
	FOIL TAPE			1	
RN-1	WATER DRAINAGE DETAIL 2000			1	
	3 MM BOARD FOR FLOOR SLOPE		1995	1	
	6 MM BOARD FOR FLOOR SLOPE		1995	1	
	9 MM BOARD FOR FLOOR SLOPE		1995	1	
	12 MM BOARD FOR FLOOR SLOPE		1995	1	
	TREADED ROD M10		2500	3	
	TREADED ROD M10		2210	3	
	DRIVE NUT FOR TREADED ROD			6	
	PLAIN WASHER FOR TREADED ROD			6	
	NUT FOR TREADED ROD			6	

	METAR CORNER FOR GRID WALL VS-1			3	
	PLAIN WASHER M5 FOR METAL CORNER			3	
	POST HEIGHT ADJUSTMENT FOR NP-1			1	
	SCREW 3,5x40 A2 STAINLESS FOR MOULDINGS			300	
	SCREW 4,2x55 A2 STAINLESS FOR DECKING AND ROOF EDGE			200	
	SCREW 3,5x50 AW20 FOR FLOOR BOARD			300	
	SCREW 4,5x80 FOR BENCH SUPPORTS AND ROOD BOARD (EDGE)			300	
	SCREW 5,0x90 ASSY FOR FLOOR FRAME AND WALL LOGS			200	
	SCREW 5,0x120 FOR FIRST WALL ROW			70	
	SCREW 6x180 FOR ROOF RAFTERS, WALL LOGS			70	
	SCREW 4,8x40 FOR METAL CORNERS			10	
	ROOF NAIL 75MM			~600	
	NAIL 1.4x40 FOR CEILING BOARD			350	

TOP VIEW

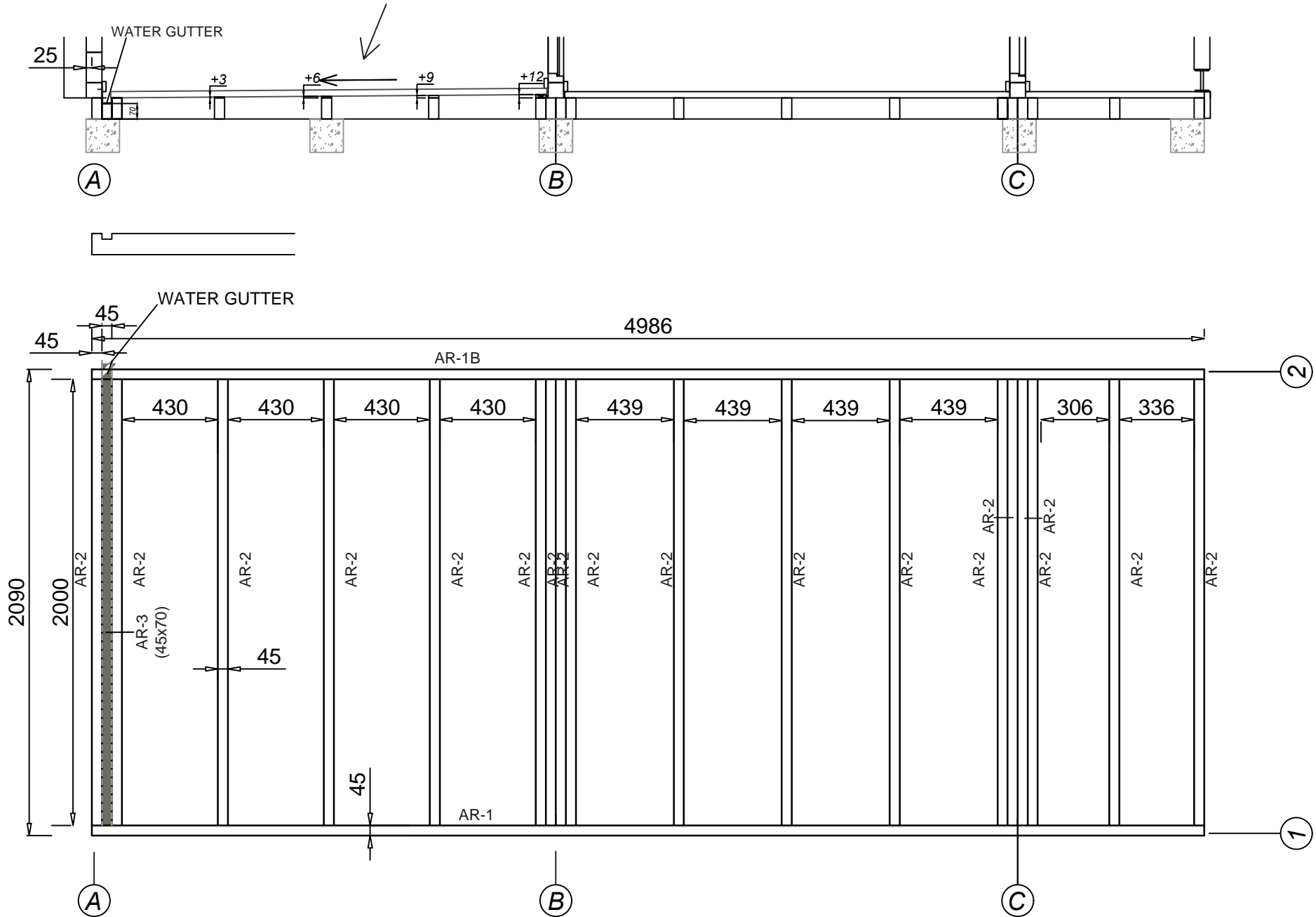




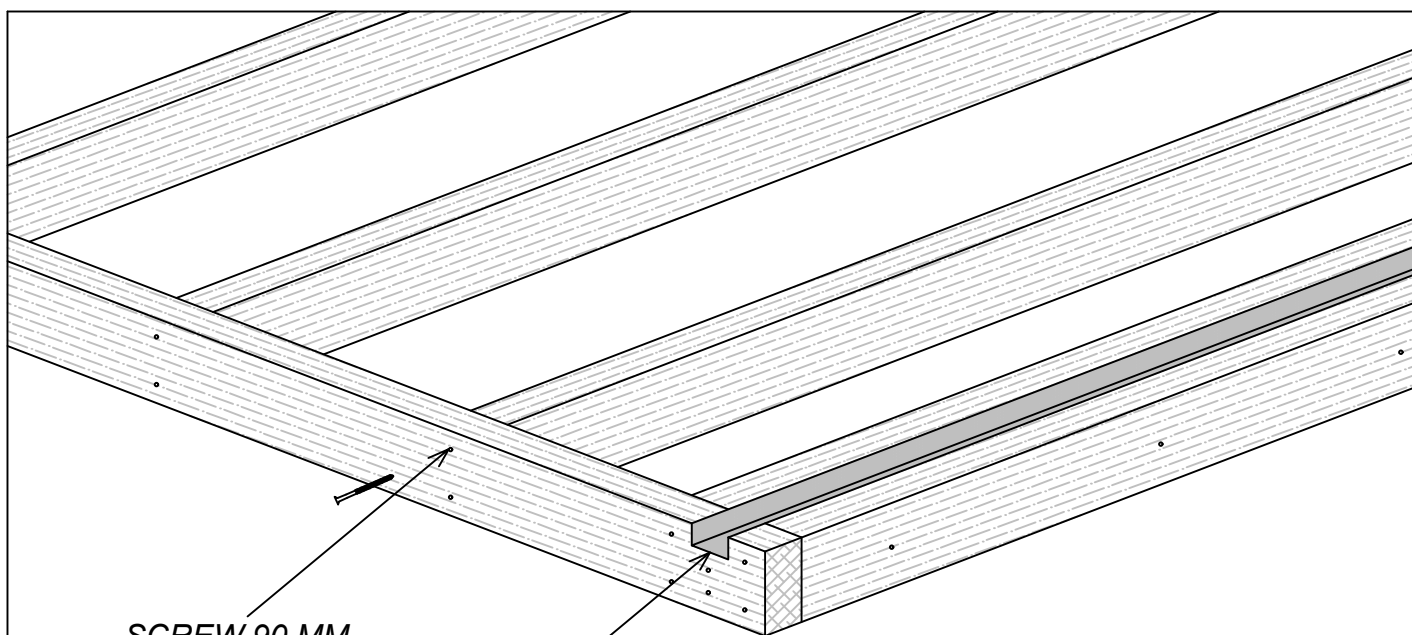


FLOOR FRAME 45x95

BEFORE INSTALLING THE FLOOR BOARDS, PLACE PLYWOOD BOARDS 3...12 MM TO GIVE A FLOOR SLOPE



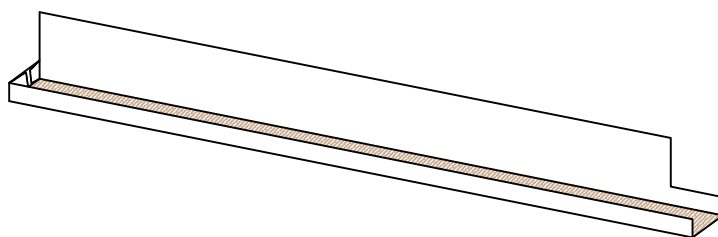
FLOOR FRAME



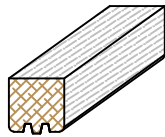
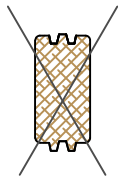
SCREW 90 MM

CUTOUT 45x25
FOR WATER DRAINAGE

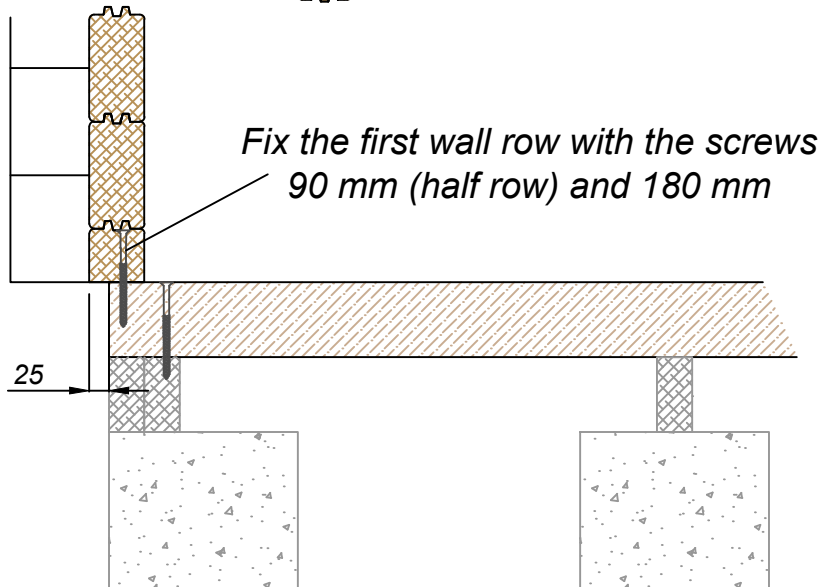
INSTALL THE WATER DRAINAGE DETAIL BEFORE FLOOR BOARDS
FIX WITH FLOOR MOULDING



FIRST ROW

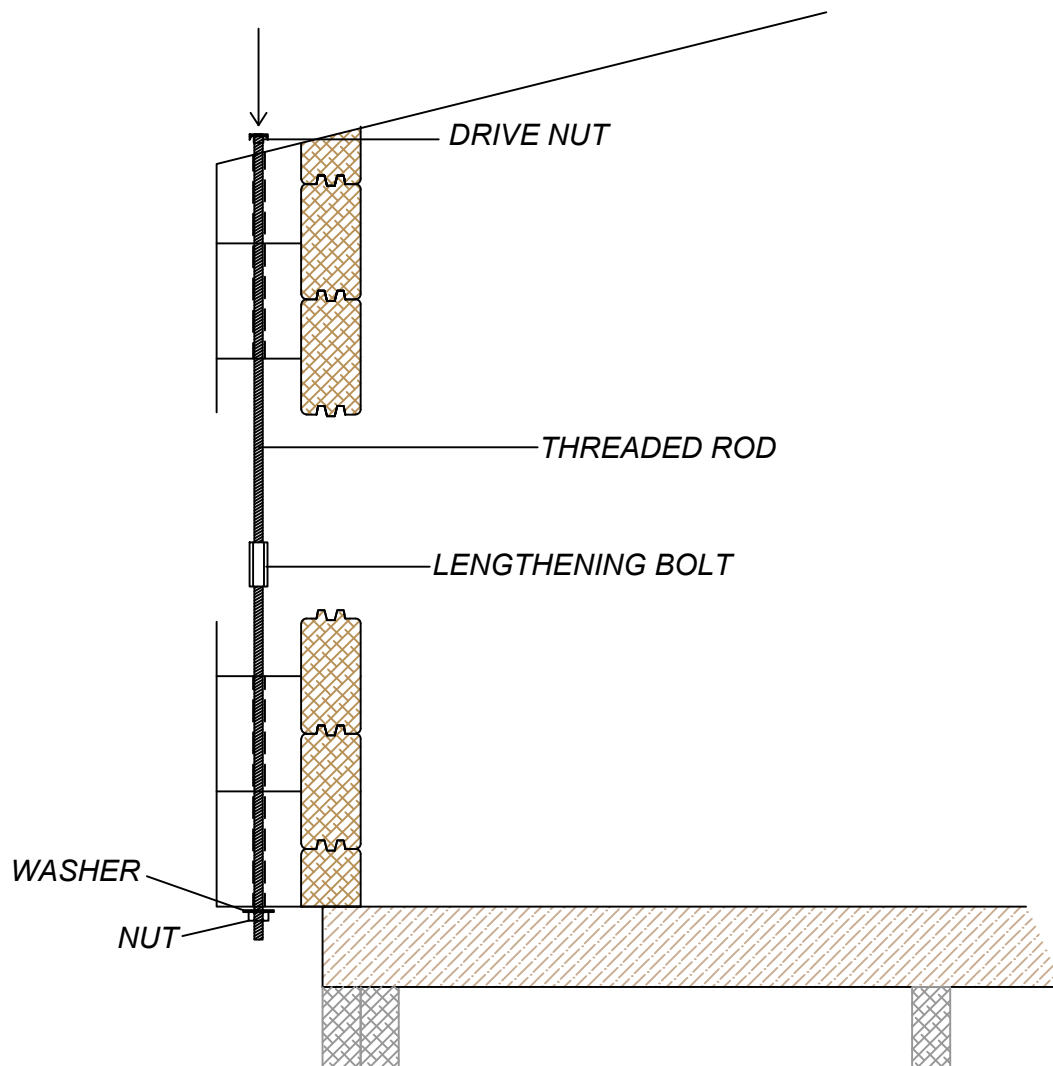


Use rubber hammer and hammer block

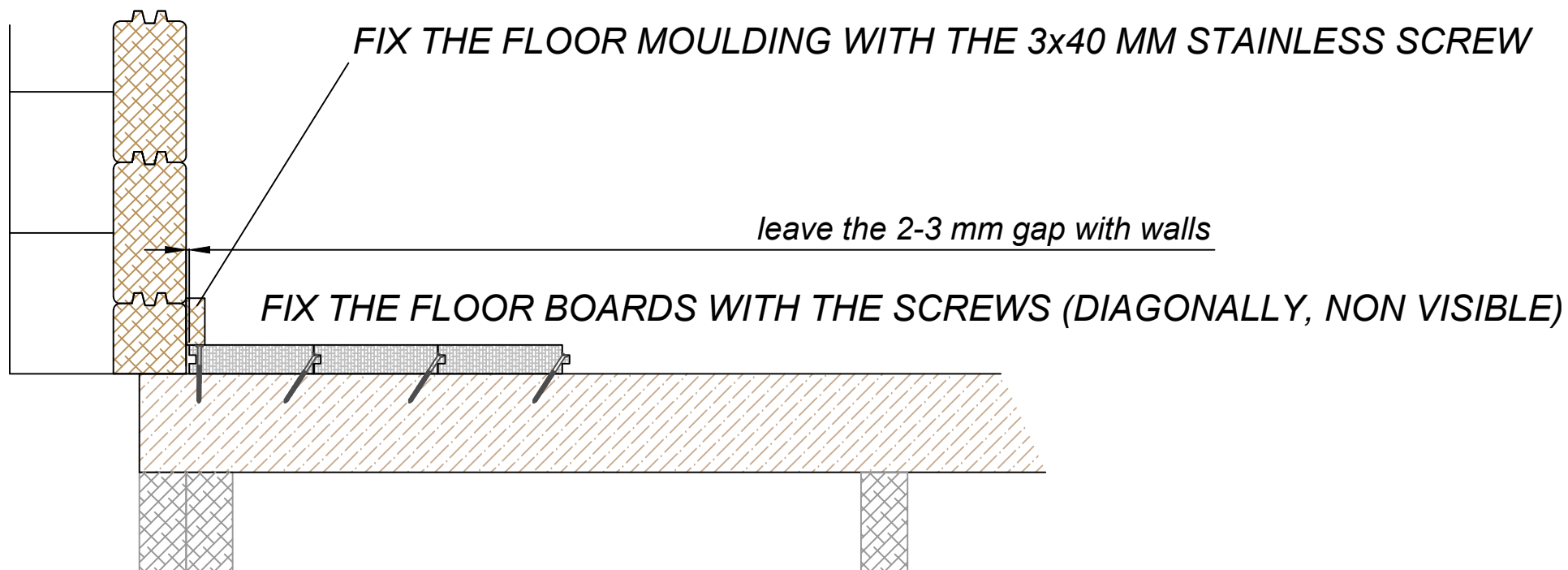


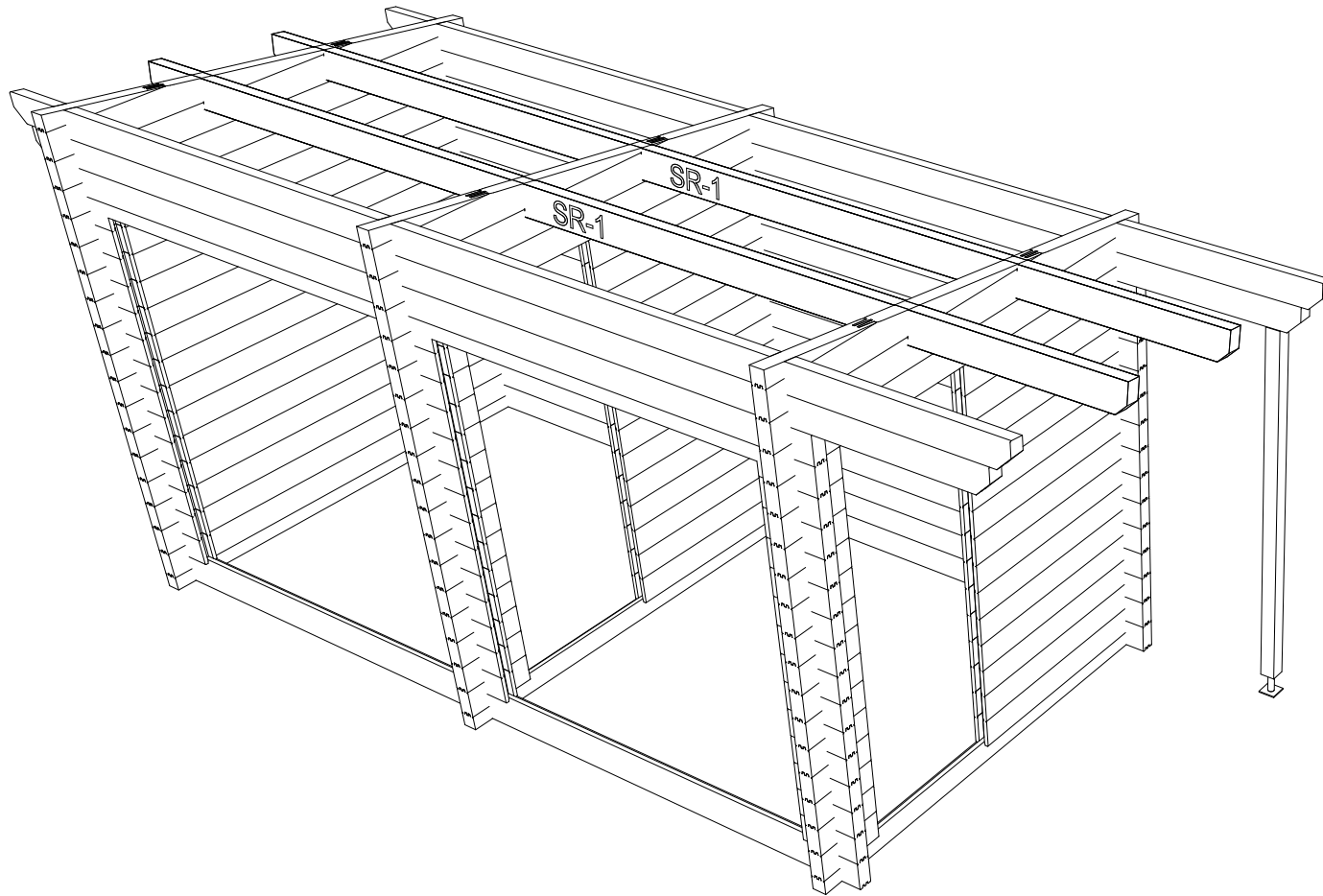
THREADED RODS

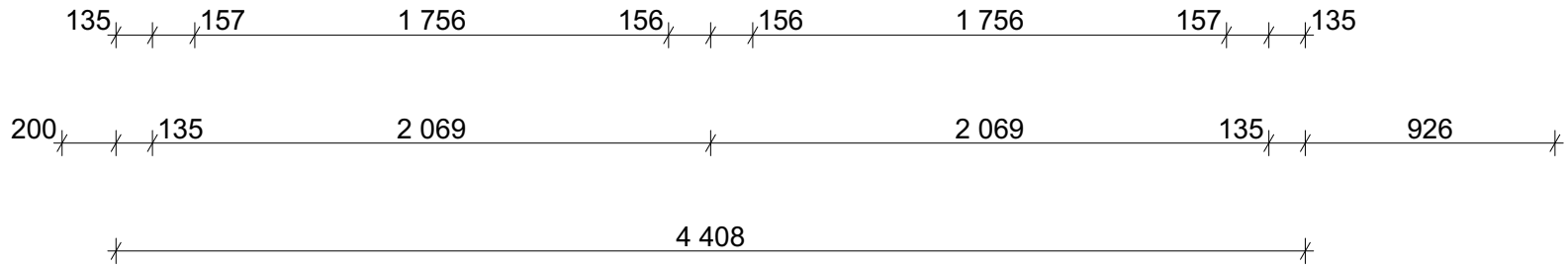
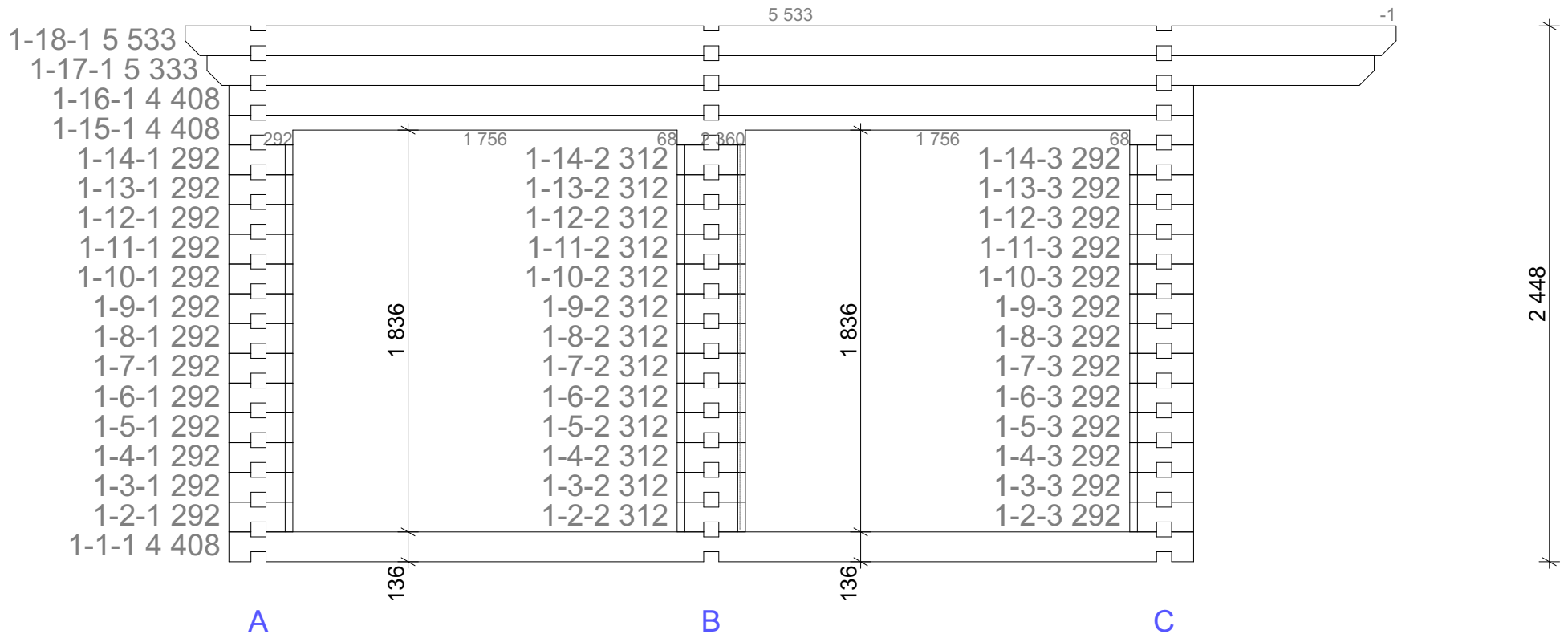
WHEN INSTALLING THE WALL LOGS,
PLEASE CHECK THAT ALL THE HOLES ARE DRILLED!



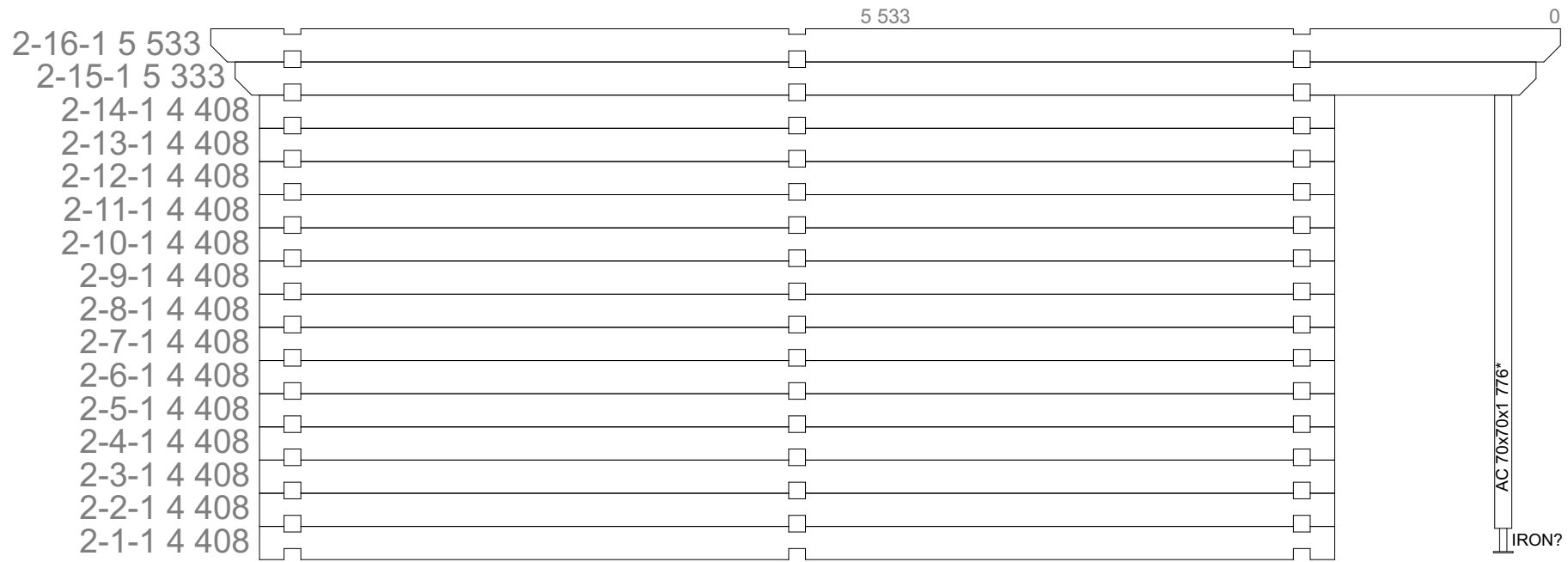
*IN SAUNA ROOM:
BEFORE THE FLOOR BOARD, INSTALL FLOOR SLOPE DETAILS*







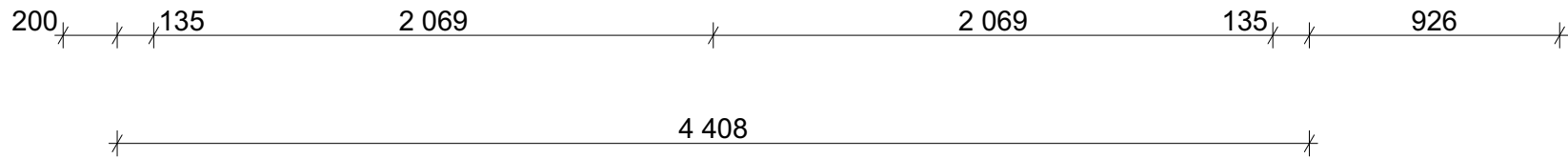
Wall:
1



A

B

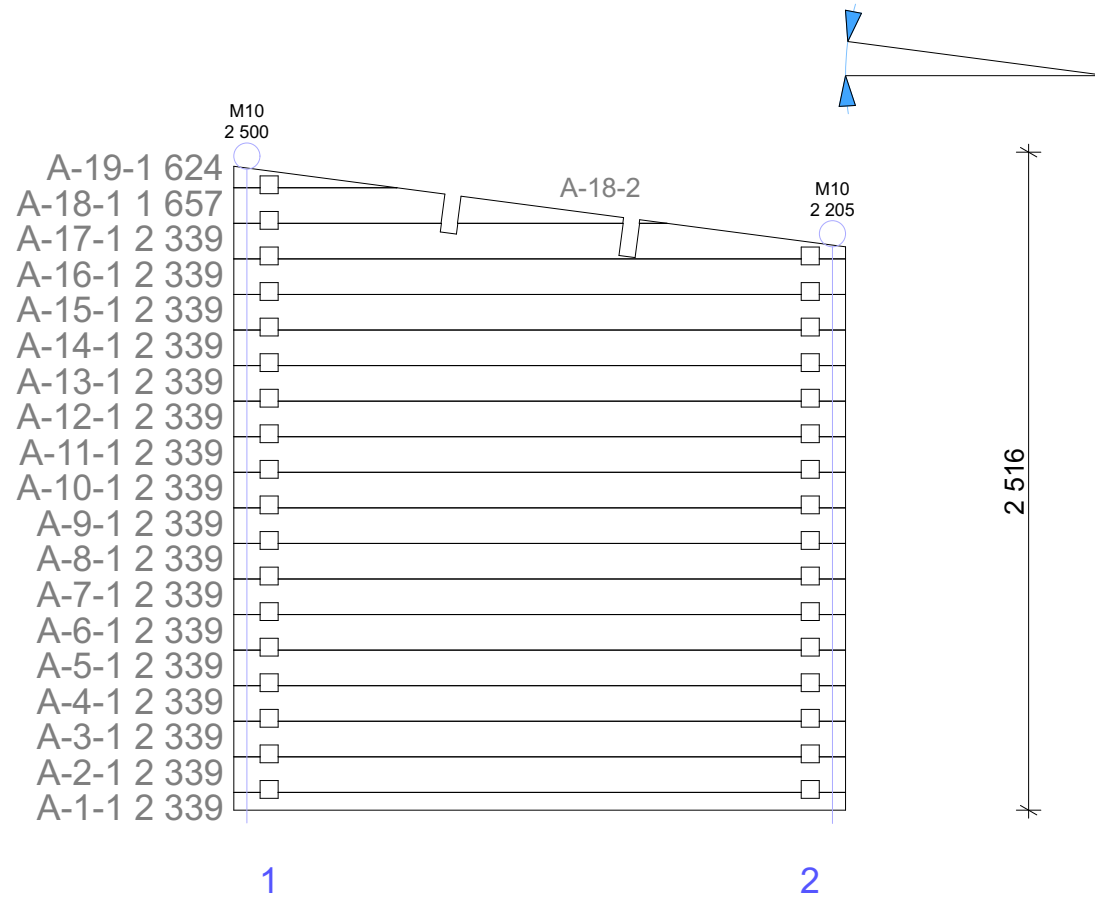
C



Wall:

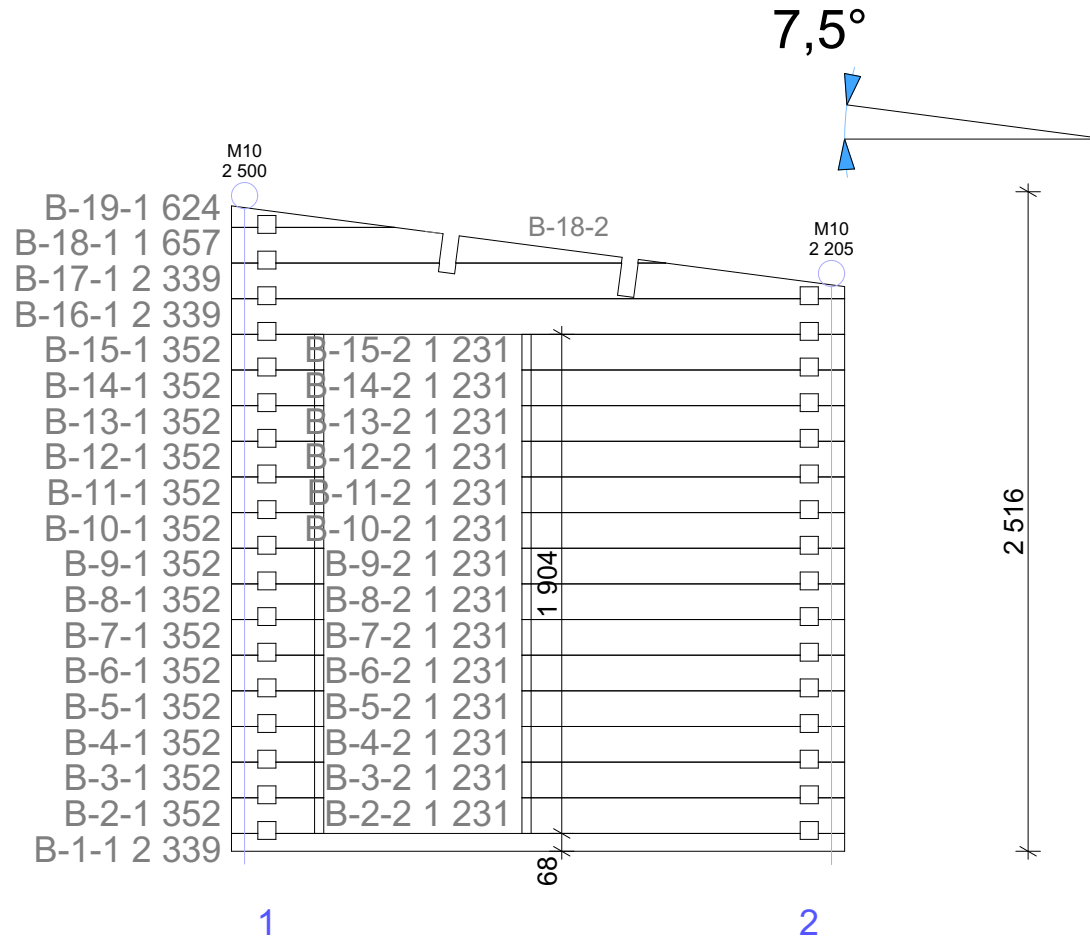
2

7,5°



Wall:

A



135 217 756 1 096 135

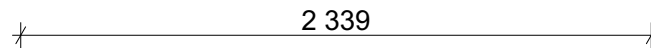
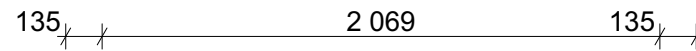
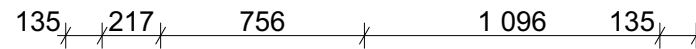
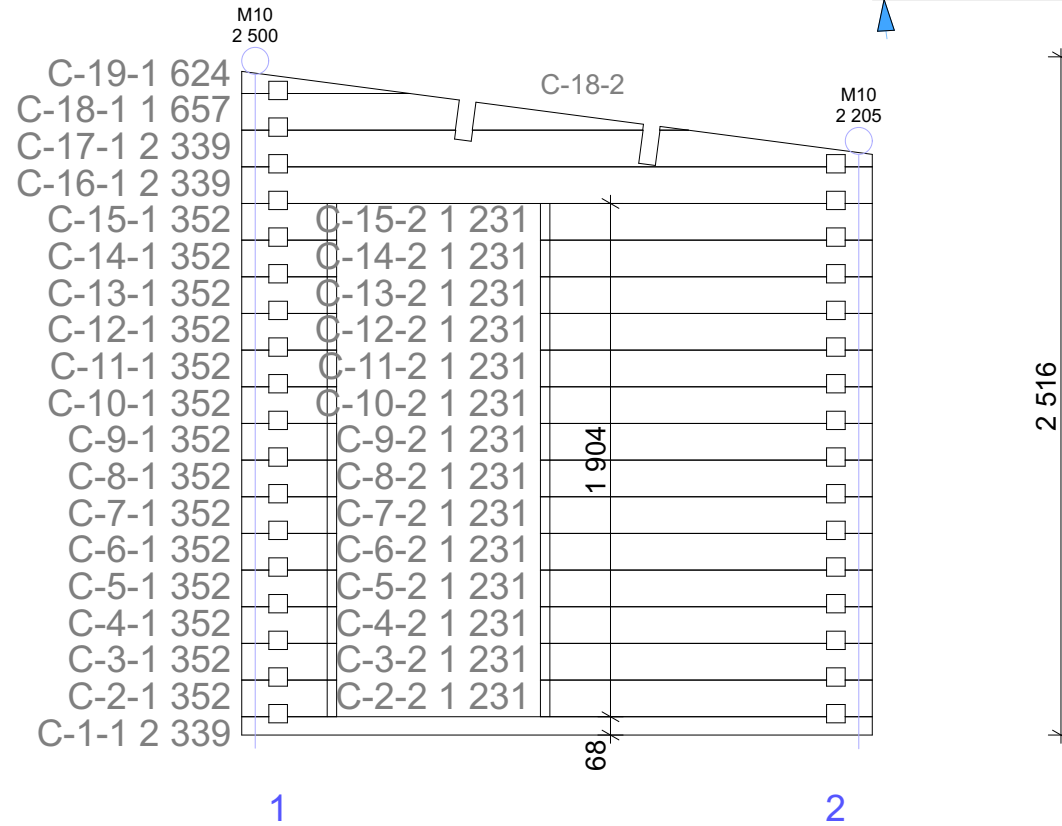
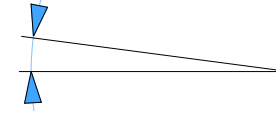
135 2 069 135

2 339

Wall:

B

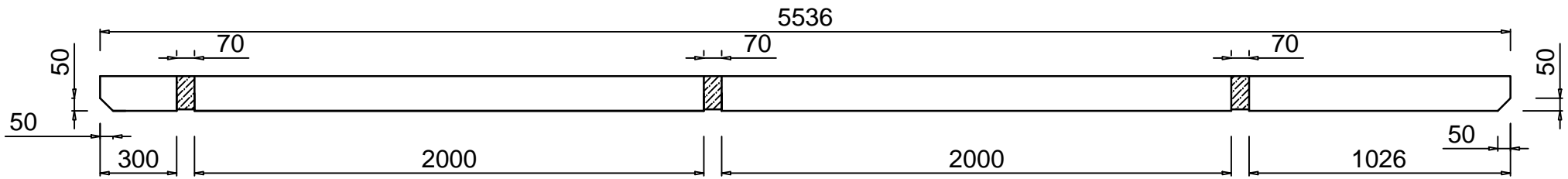
7,5°



Wall:

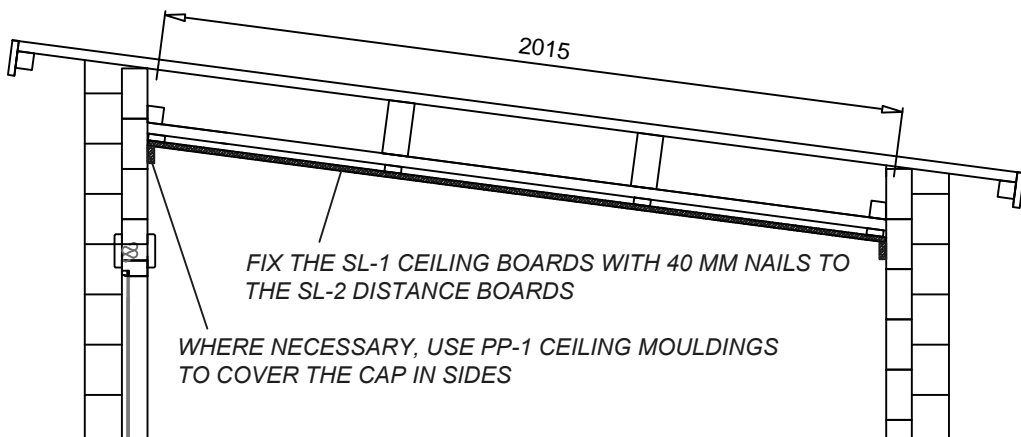
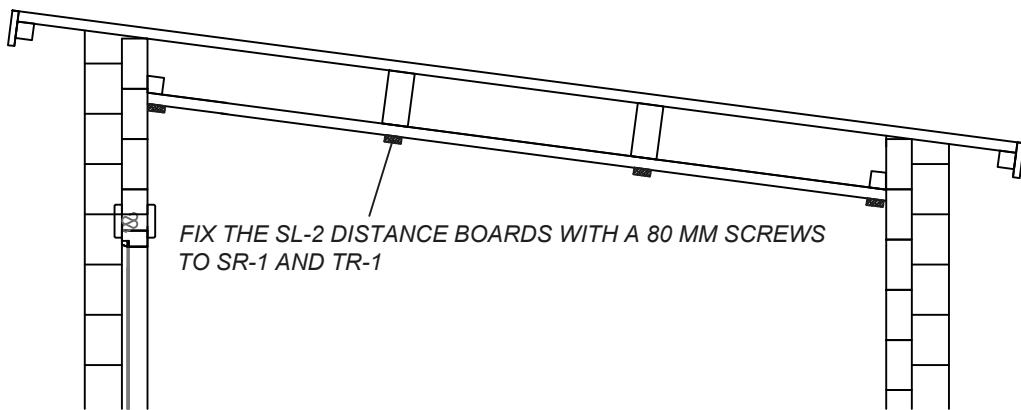
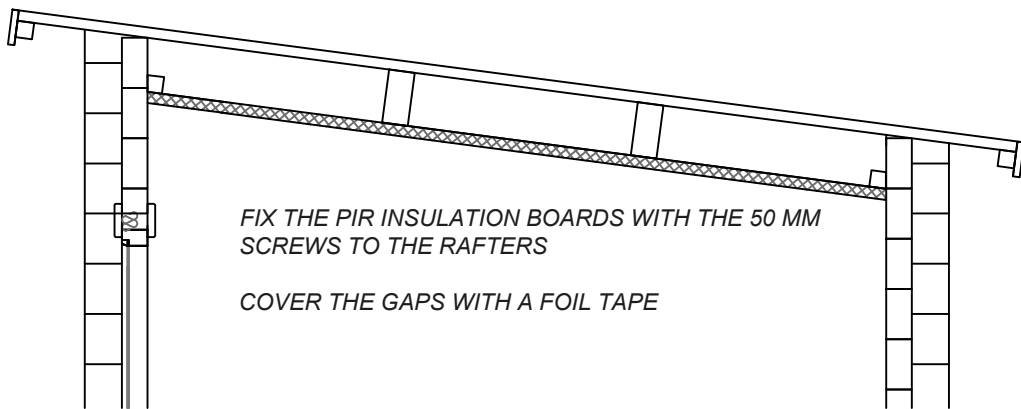
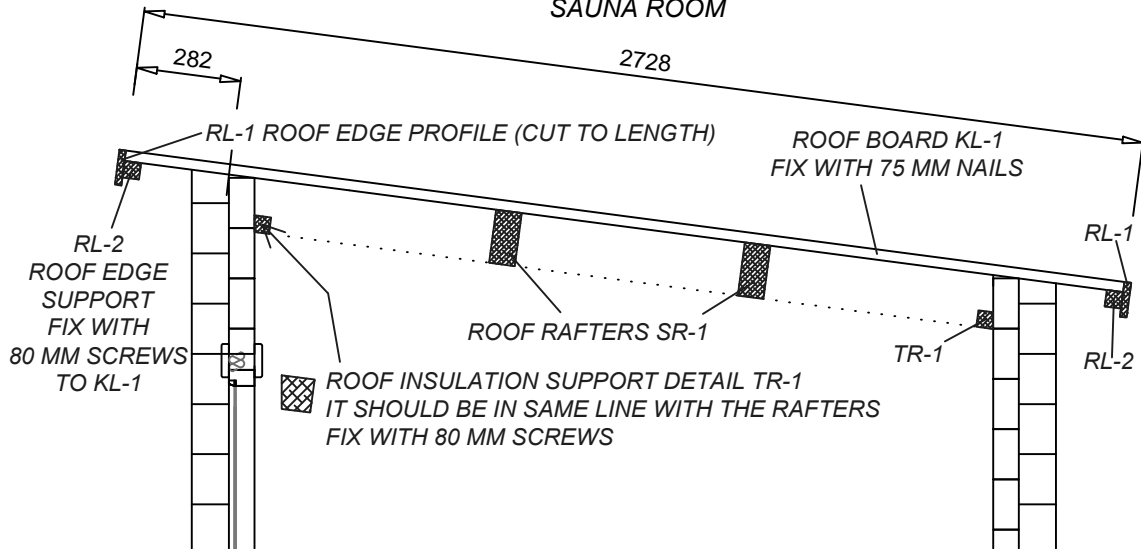
C

ROOF RAFTER SR-1
2 pcs



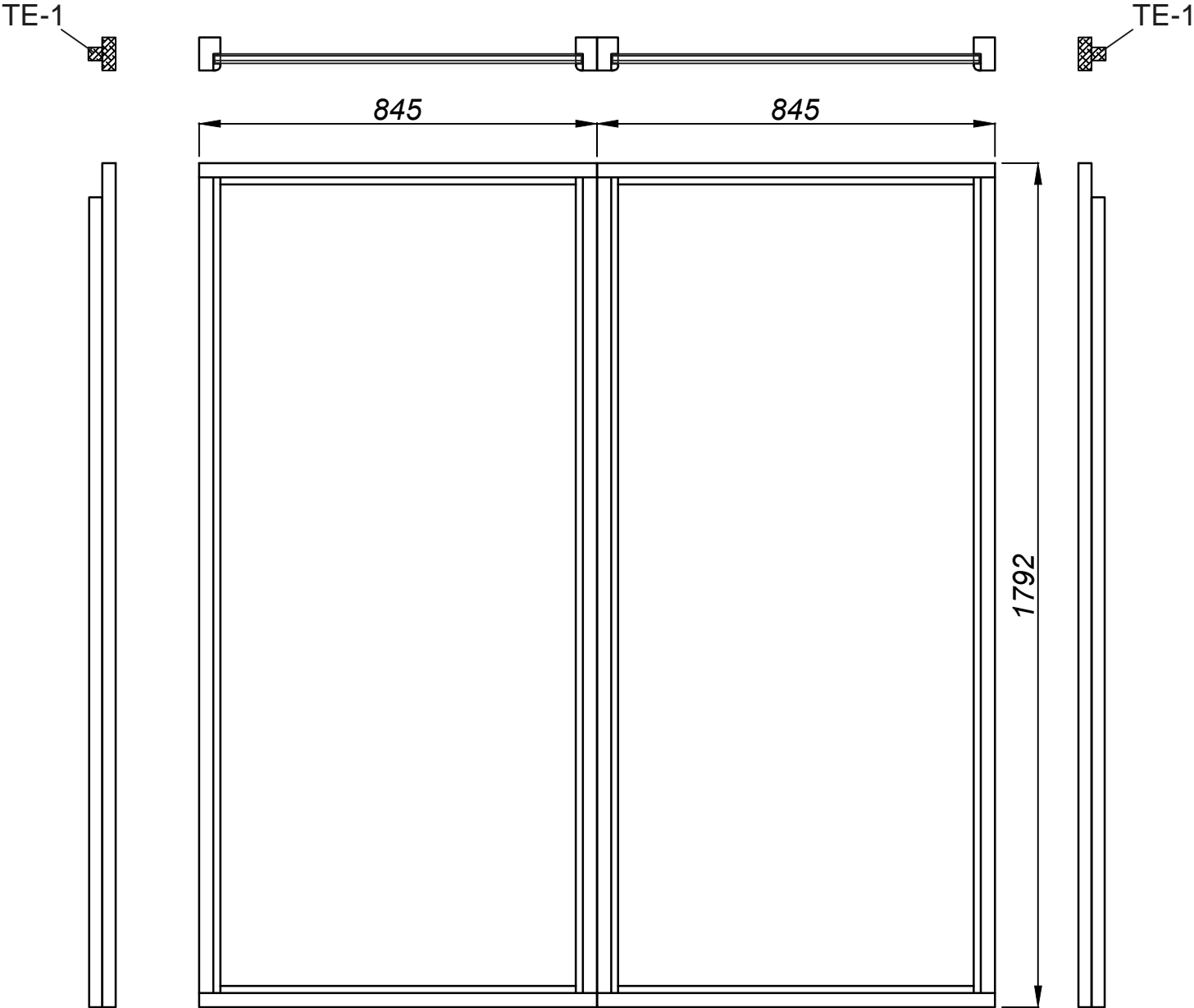
CEILING INSULATION

SAUNA ROOM



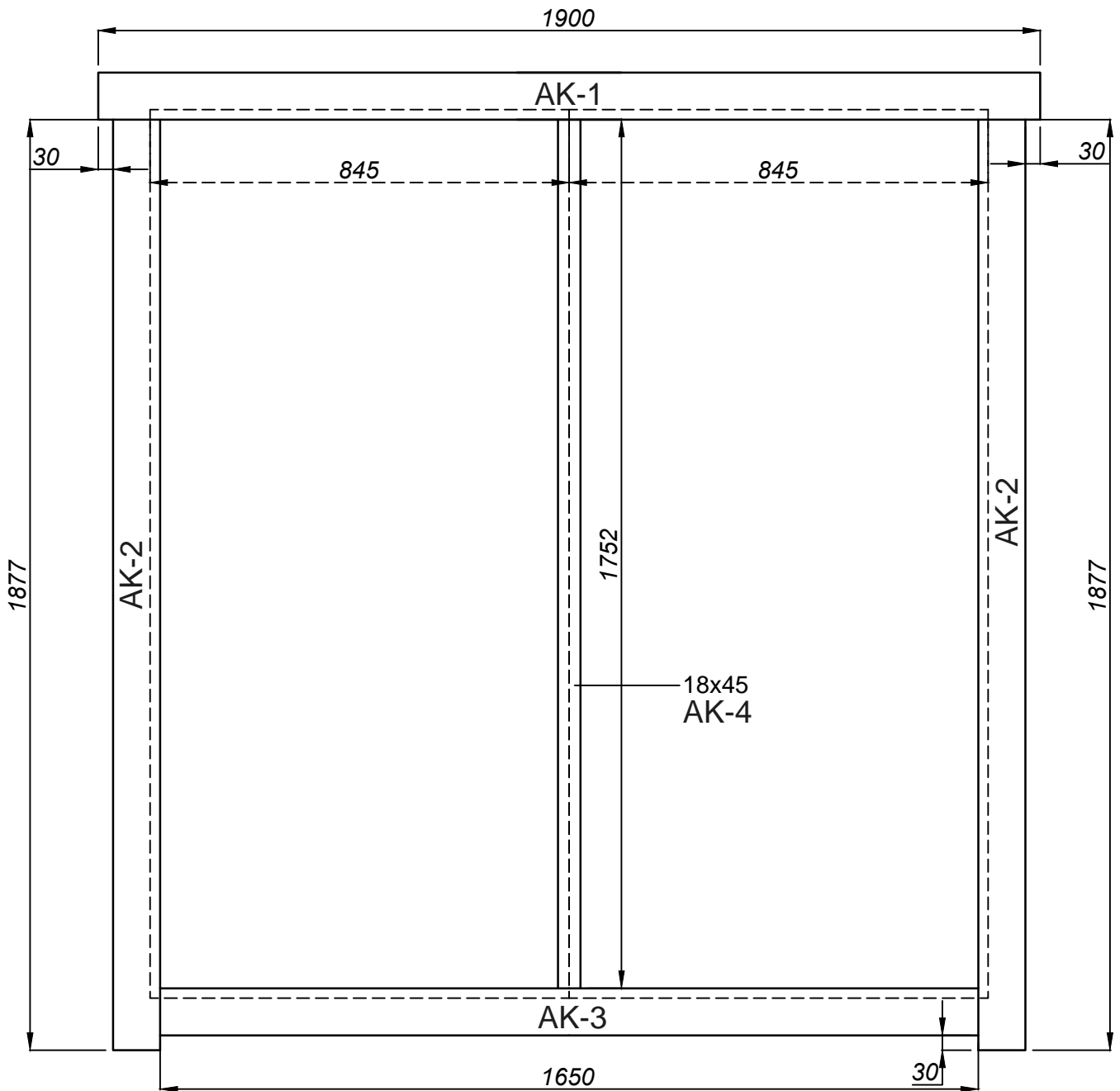
CUT THE HOLE FOR CHIMNEY WHEN USING WOOD-BURNING HEATER (EXTRA DRAWING WITH POSITIONING MEASURES)

WINDOW ELEMENTS

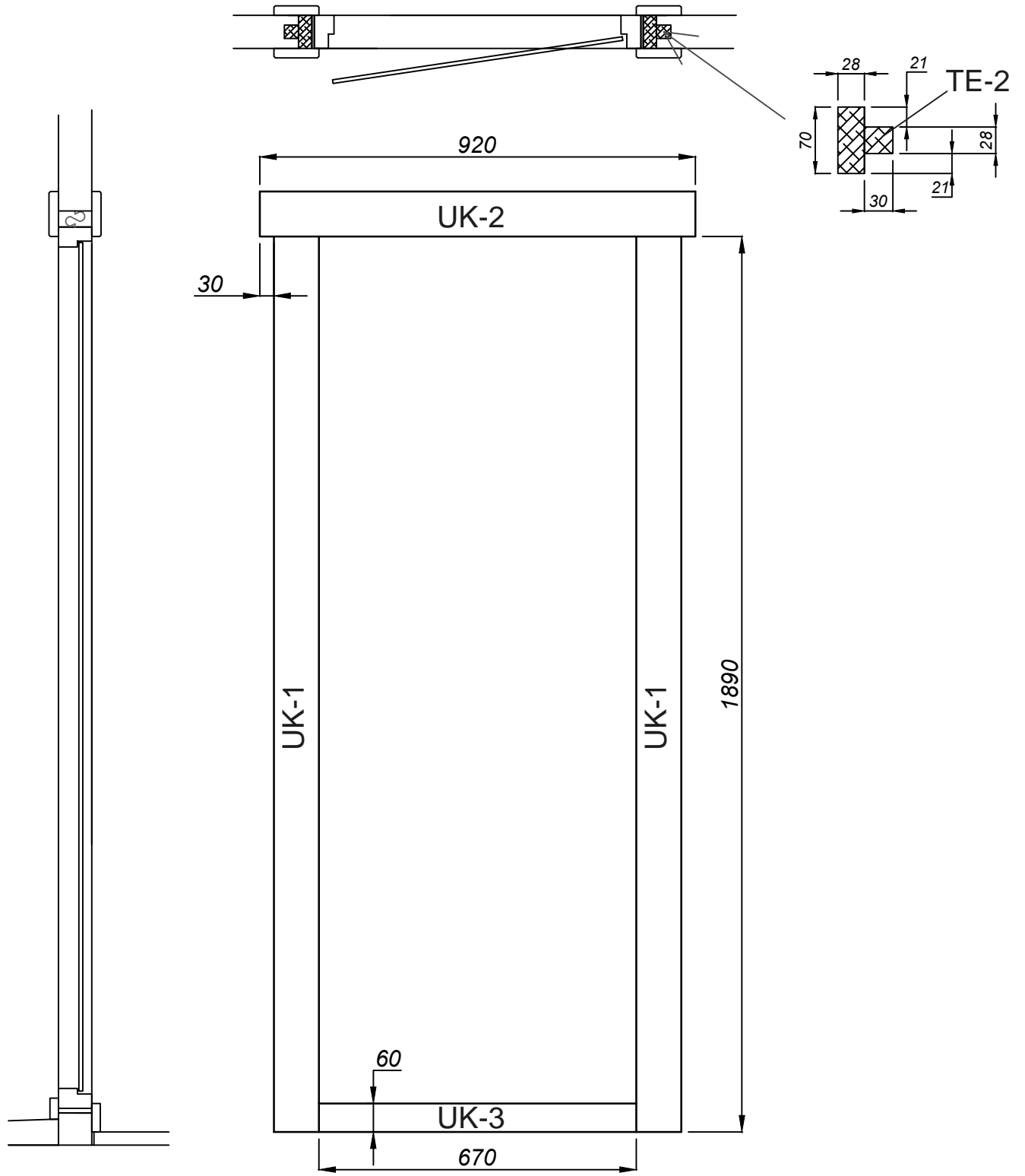


WINDOW MOULDINGS

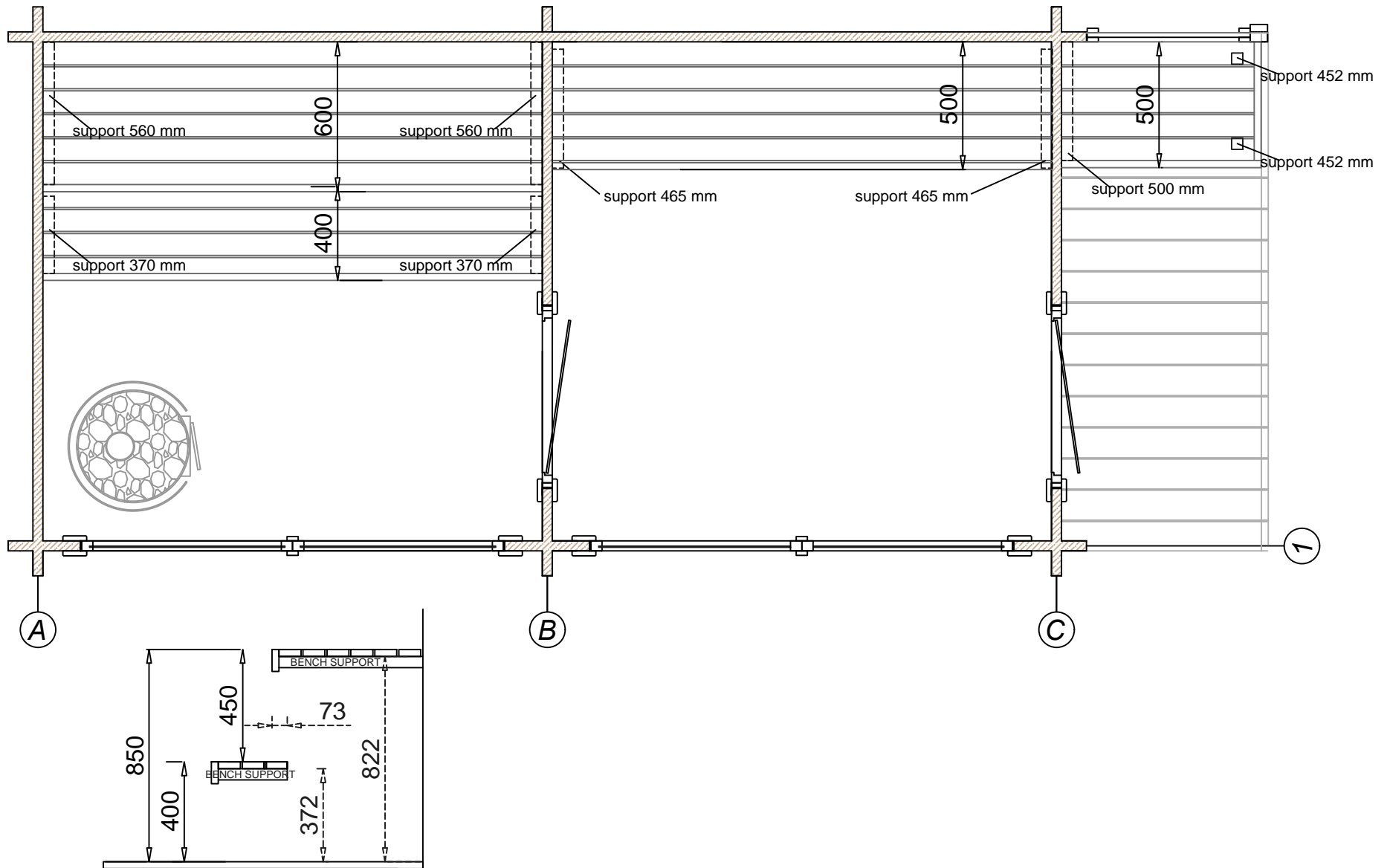
Inside and outside mouldings are with the same length
Fix the mouldings with a 40 mm screws (stainless)



DOOR MOULDINGS 18x95 (2 DOORS)



BENCH SET



1. FIRST FIX THE BENCH SUPPORTS TO THE WALL
2. THEN LIFT THE BENCHES ON TOP OF THEM
3. FIX THE BENCHES WITH THE 70 MM SCREWS TO THE WALLS AND SUPPORTS
4. USE VERTICAL SUPPORT TO SUPPORT THE BENCH FROM THE MIDDLE