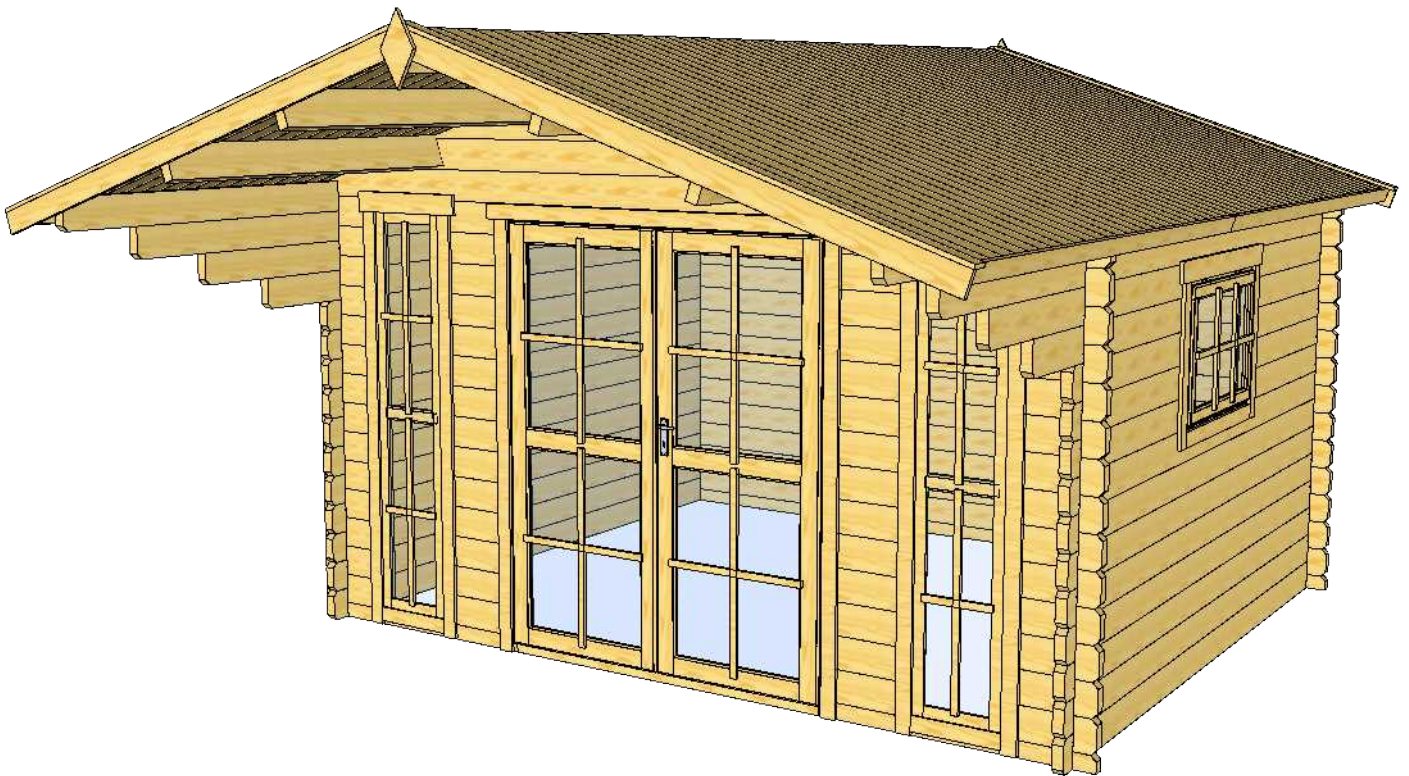


T27
Package number T27/0

SÖREN 3.8x3.8

Manual



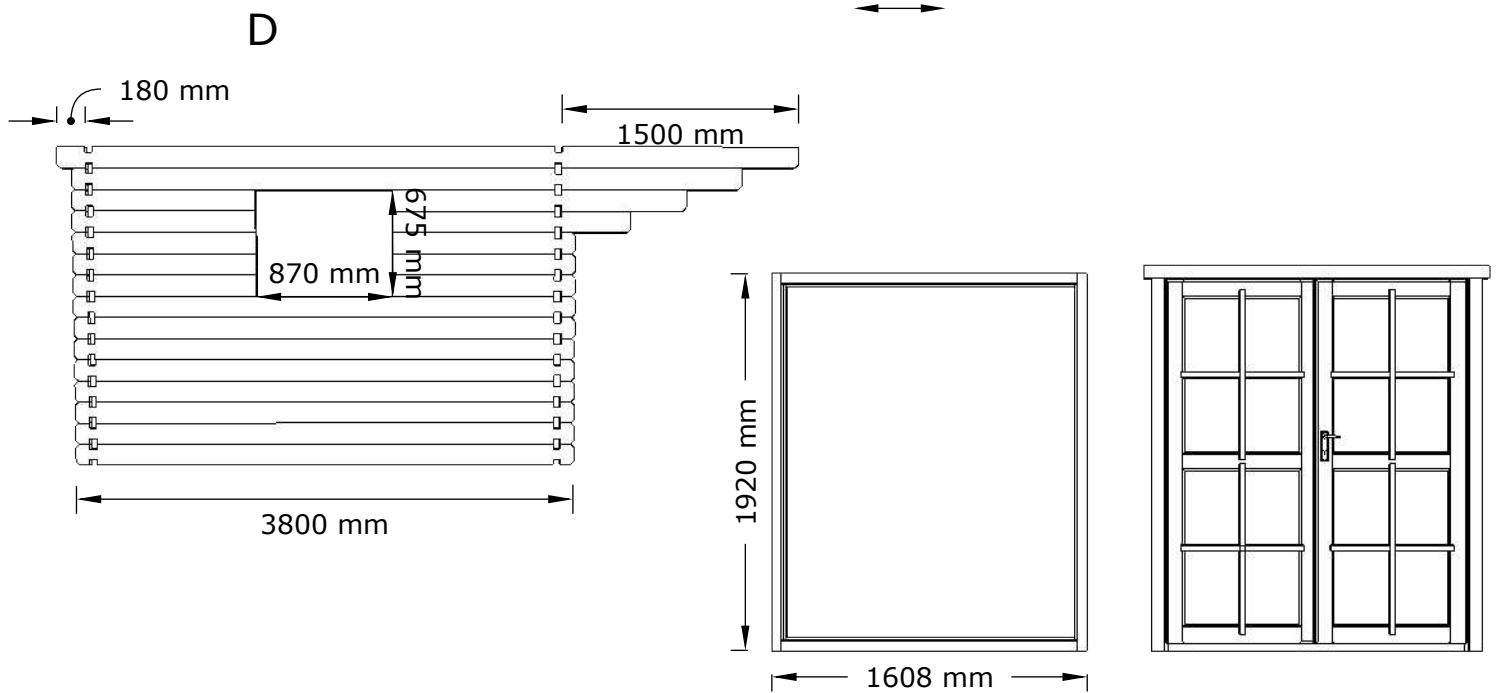
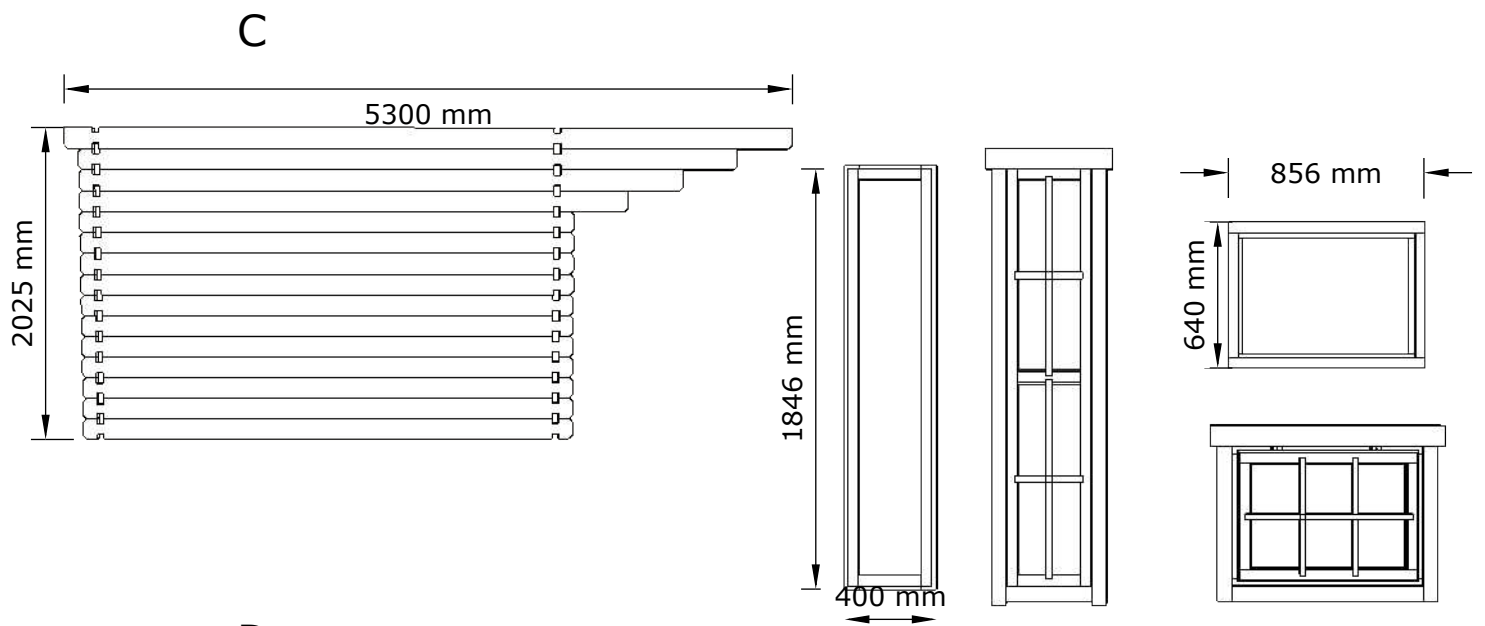
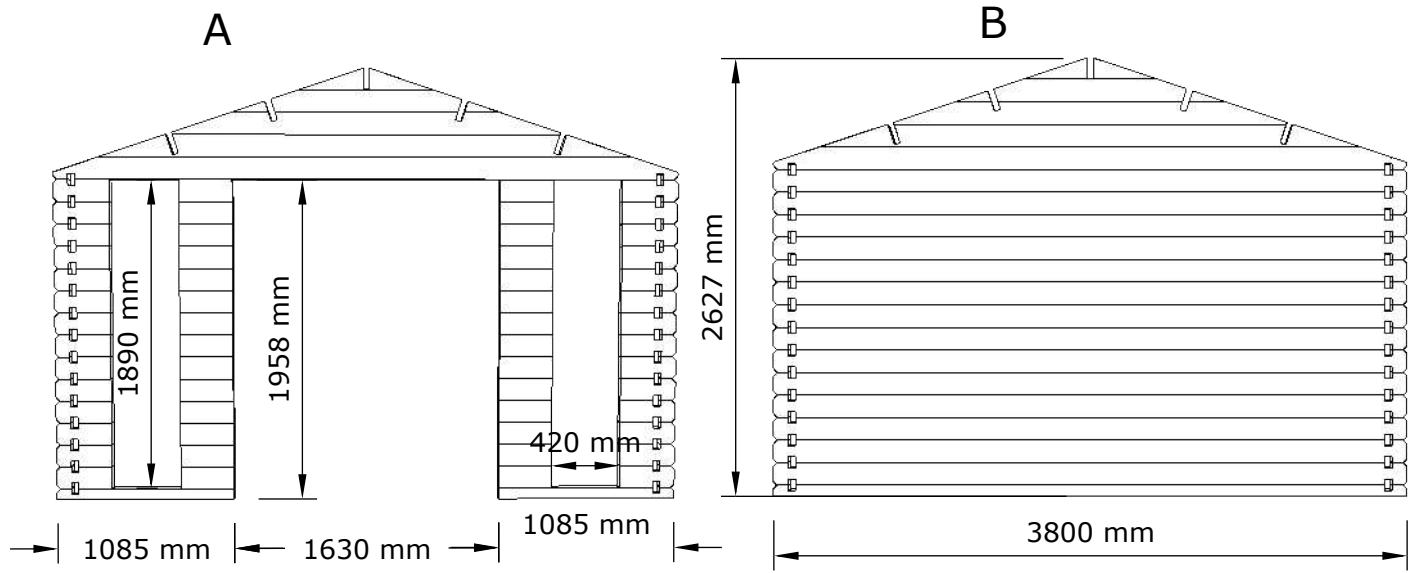
Pos	Size, mm			Quantity		Destination
	h	b	l			
3	45	67.5	3800	1		Wall B
3a	45	67.5	1085	2		Wall A
4	45	135	3800	14		Wall B
5	45	135	340	28		Wall A
5a	45	135	325	28		Wall A
6	45	135	3800	19		Wall C, D
6a	45	135	1465	8		Wall D
7	45	135	4060	1		Wall C
7a	45	135	4410	1		Wall C
7b	45	135	4760	2		Wall C, D
7c	45	135	5300	2+1		Wall C, D
7d	45	135	2075	1		Wall D
7e	45	135	1725	1		Wall D
8	45	675	3800	2		Vault
9	45	140	5300	1		Rafter
9a	45	140	5300	4		Rafter
10	16	90	2154	118		Roof board
11	16	90	2206	4		Wind board
11a	16	65	2226	4		Wind board
12	16	65	2650	4		Roof board
13				2		Diamond
14	16	65	810	2		Window strip
15	16	65	665	4		Window strip
15a	16	90	1050	2		Window strip
14.1	16	65	370	4		Window strip
15.1	16	65	1890	8		Window strip
15a.1	16	90	550	4		Window strip
16	16	65	1890	4		Door strip
16a	16	90	1760	2		Door strip
18				2		Window
18a				1		Window
19				1		Door

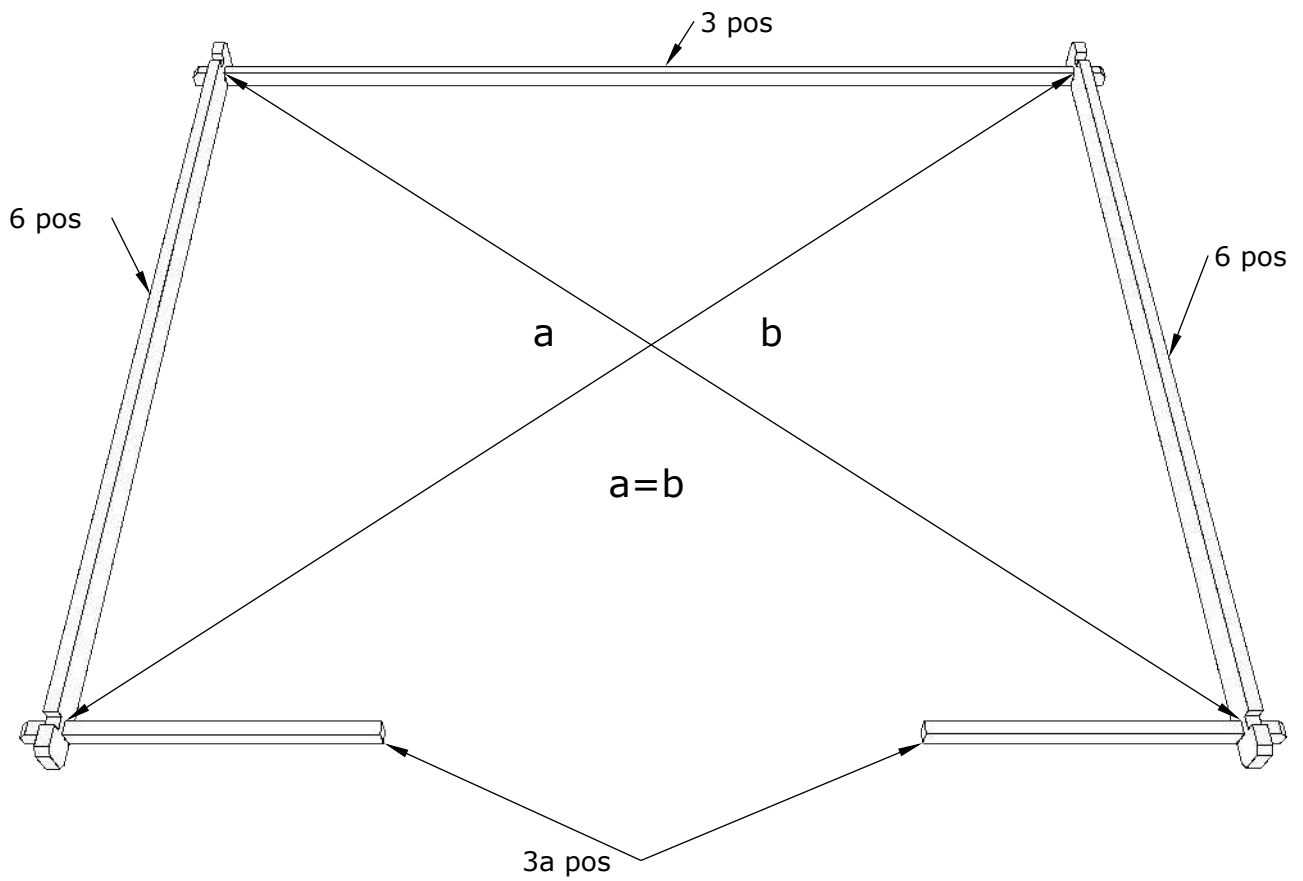
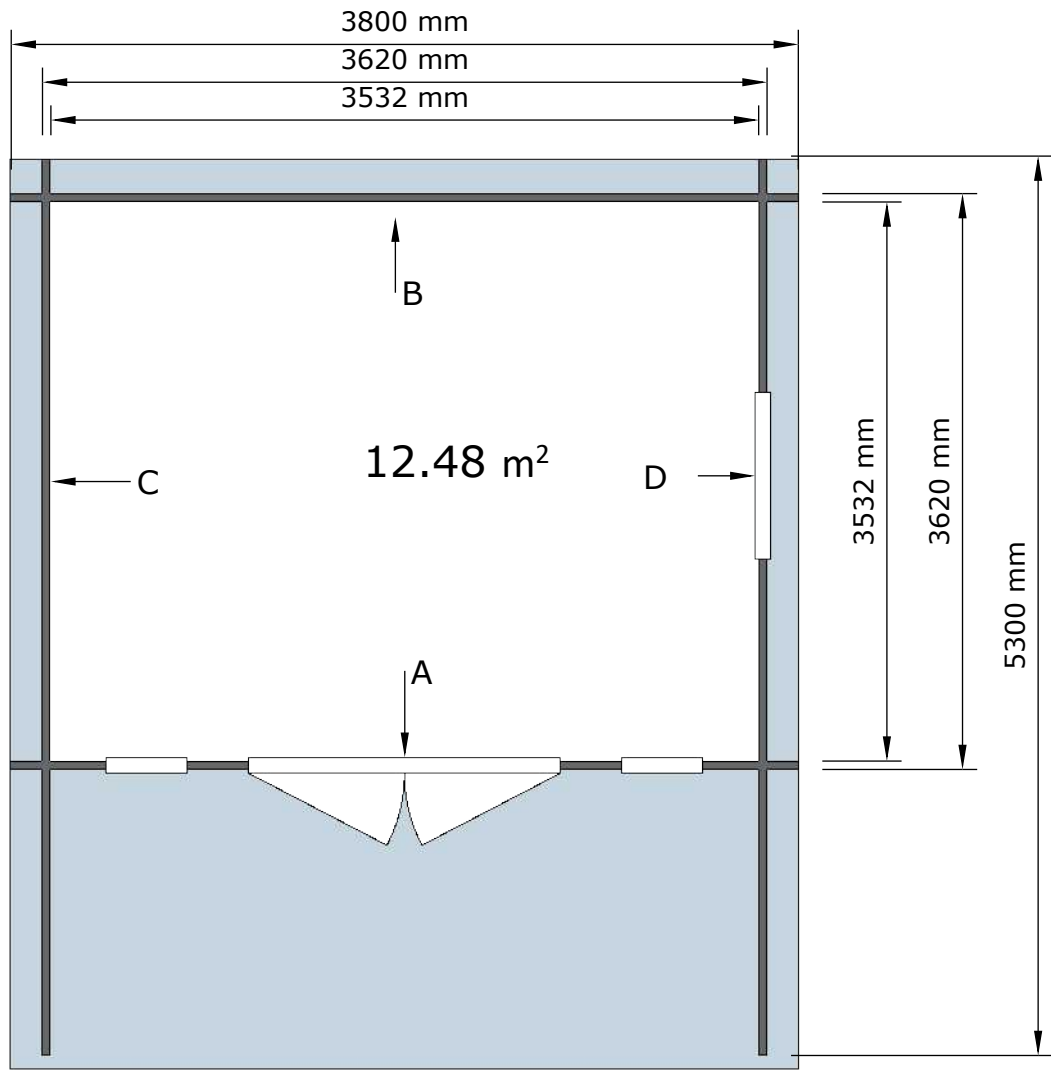
Recommendations.

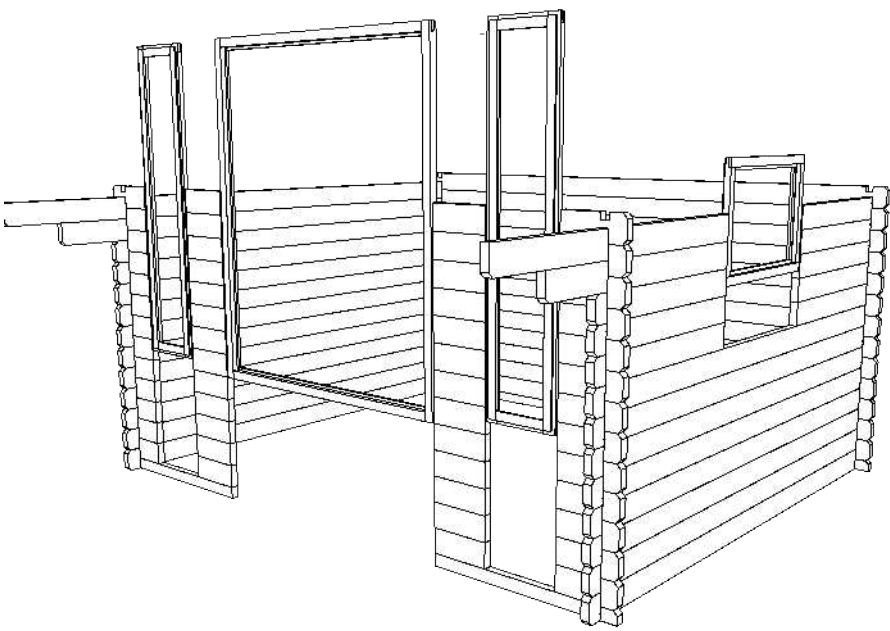
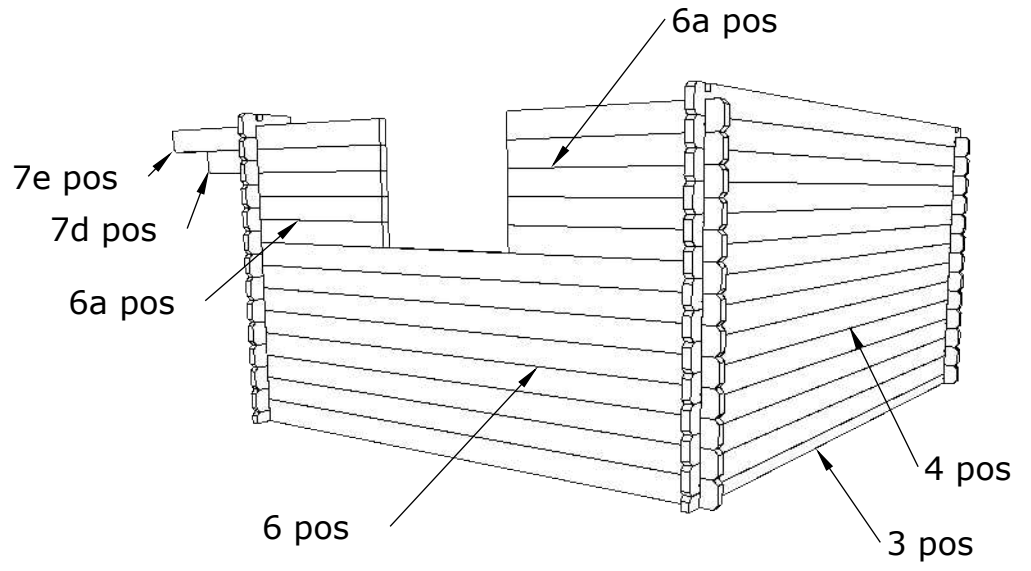
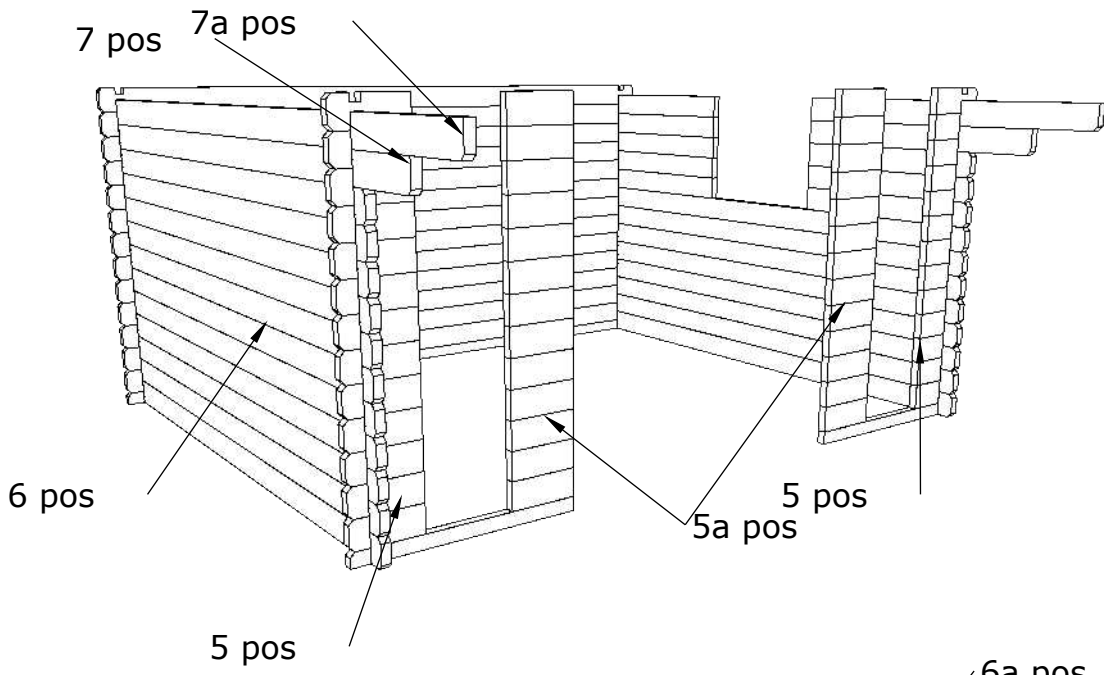
It is recommended to install a ventilation system in the house.

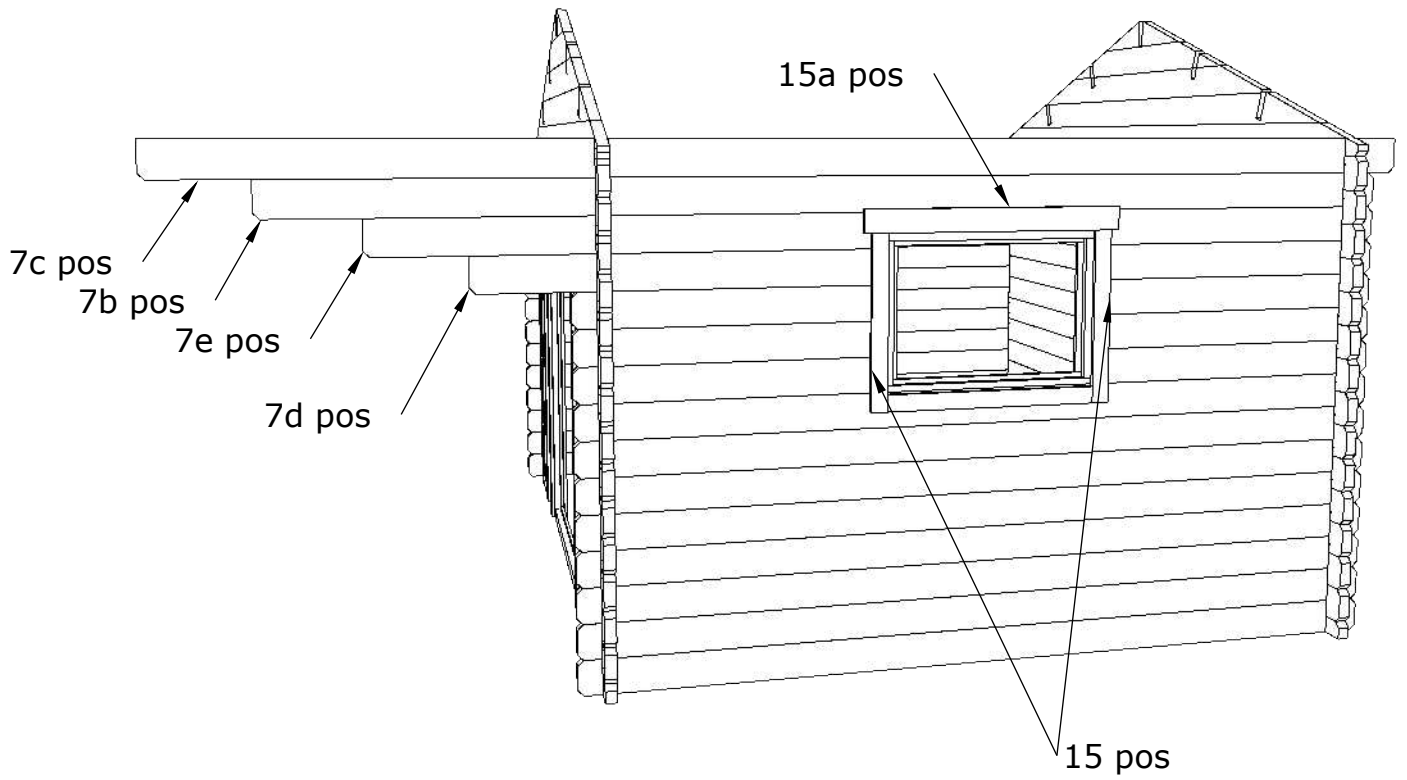
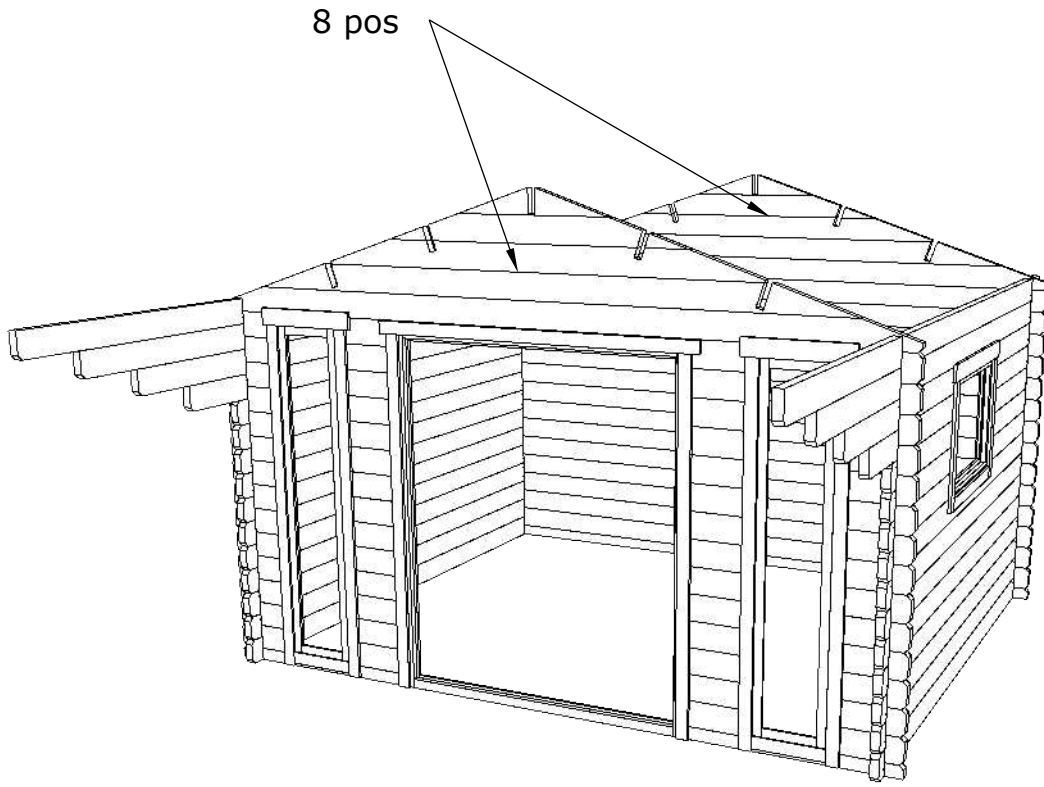


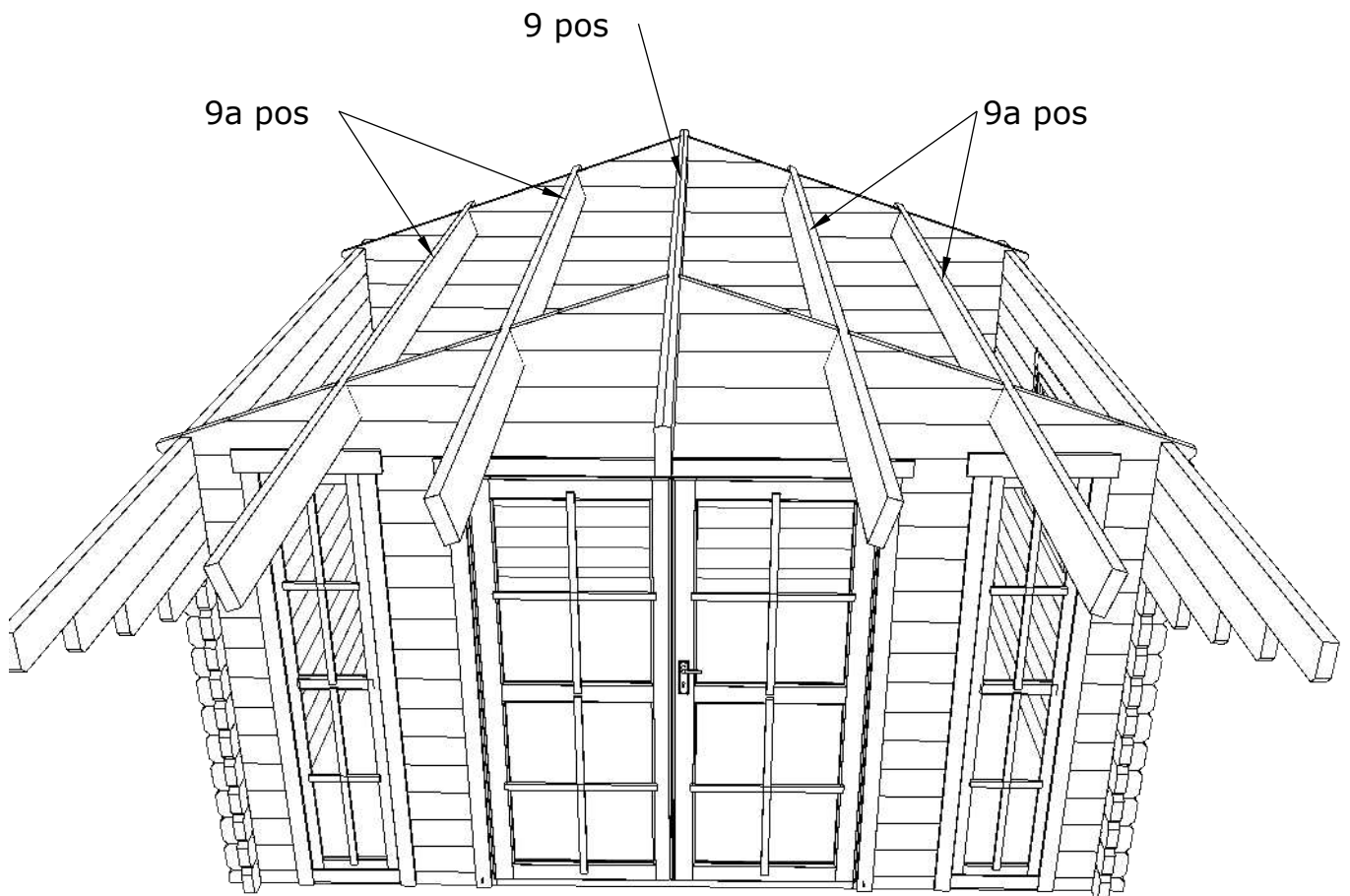
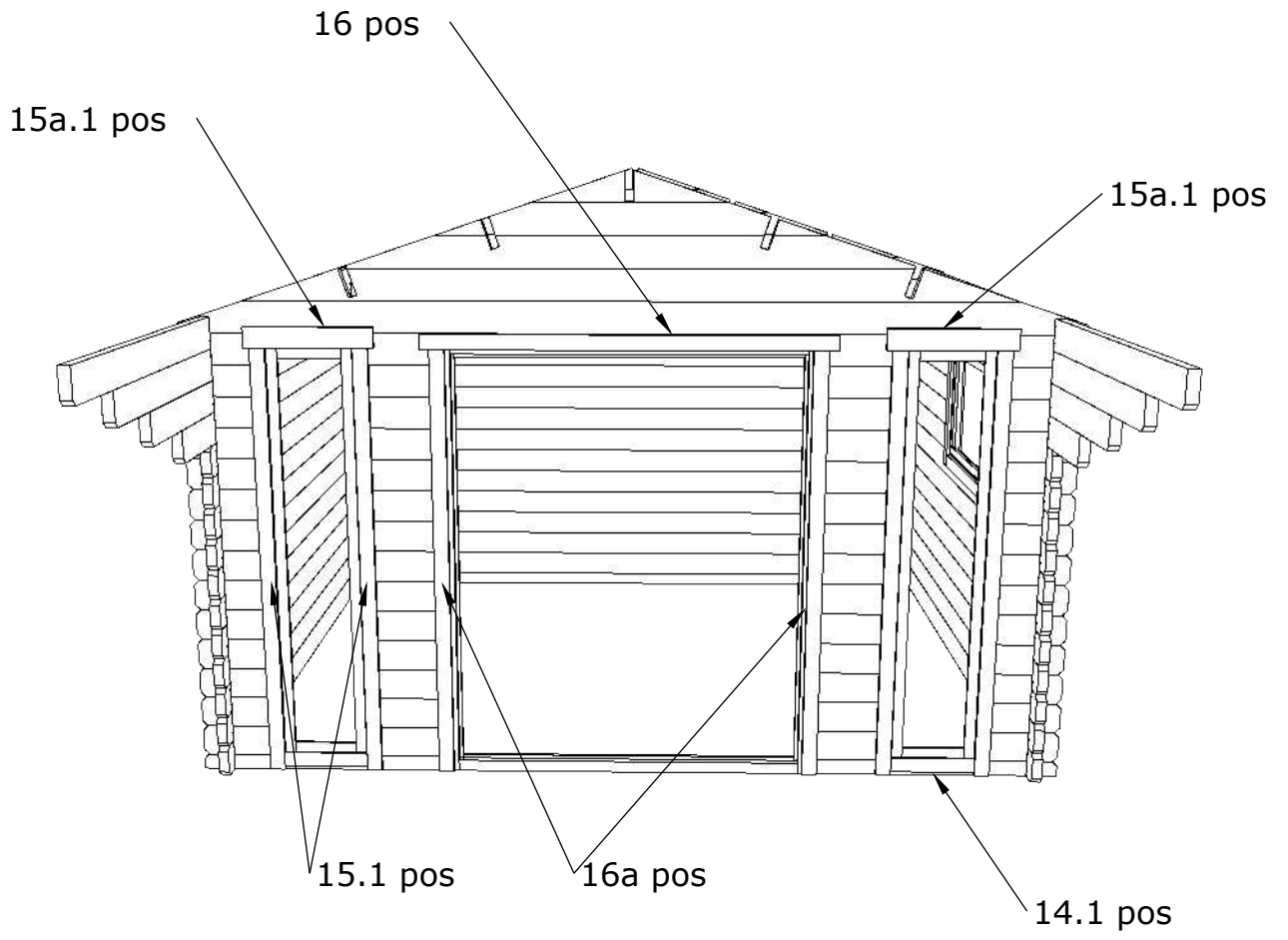
Assembly of the house requires at least minimum knowledge in the field of assembly of wood products. Otherwise, we recommend hiring a specialist.

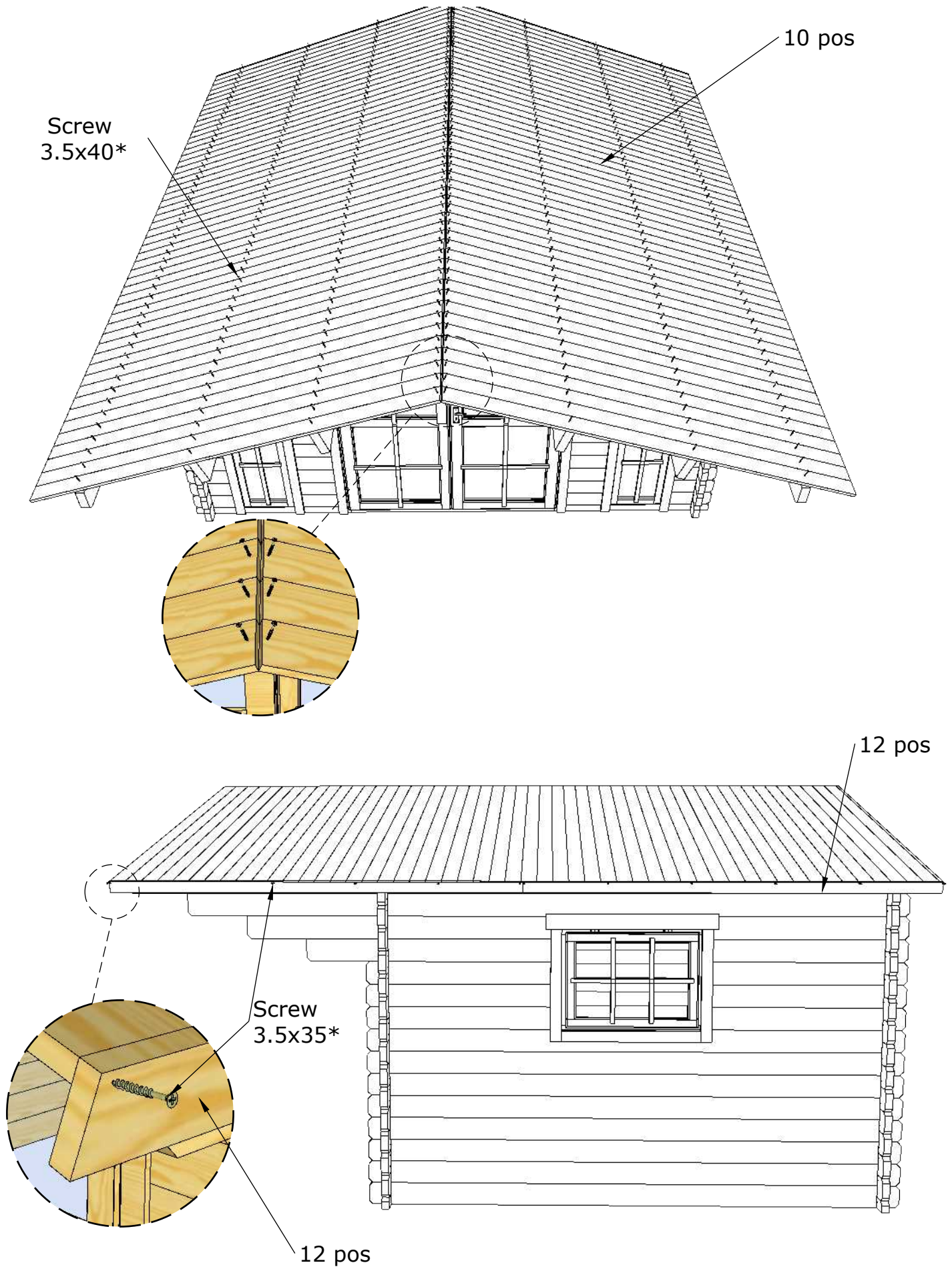




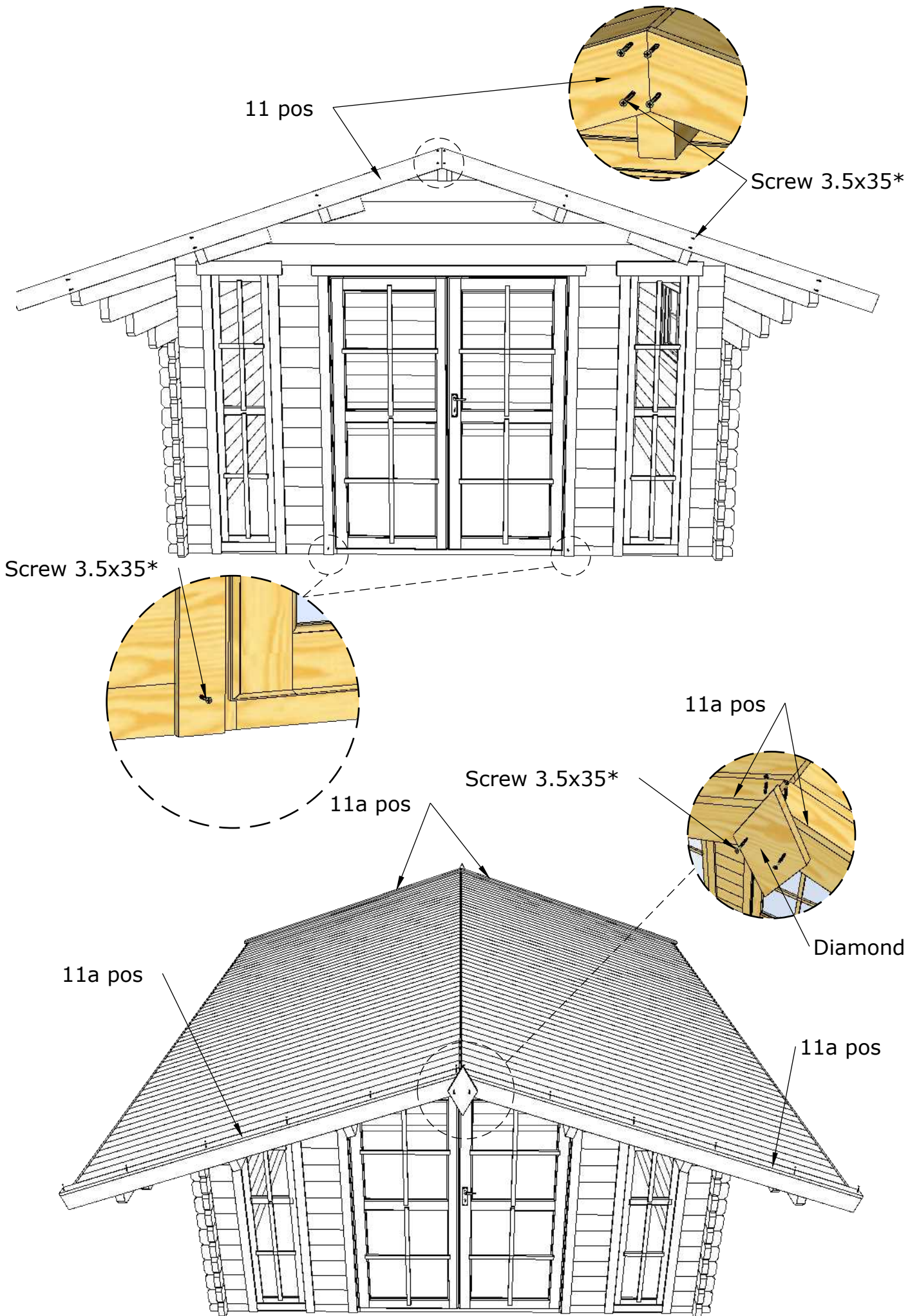








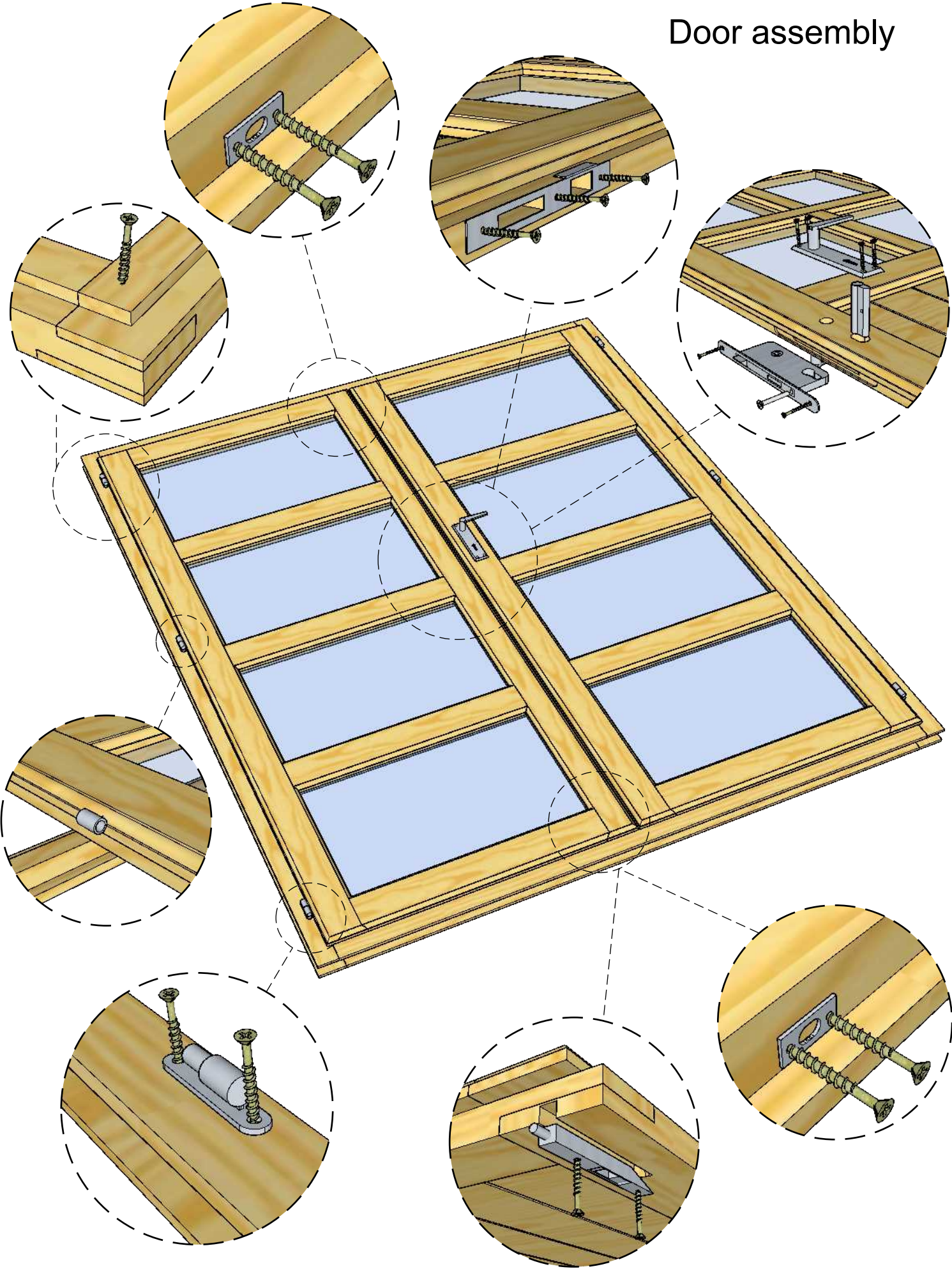
*Screws are not included in the package



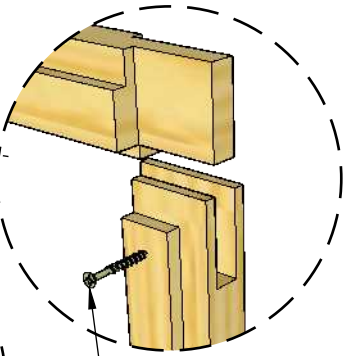
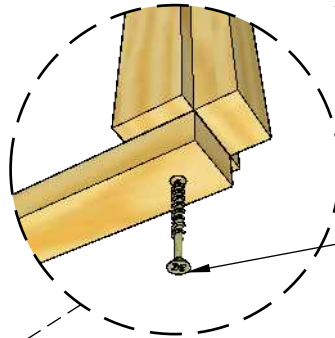
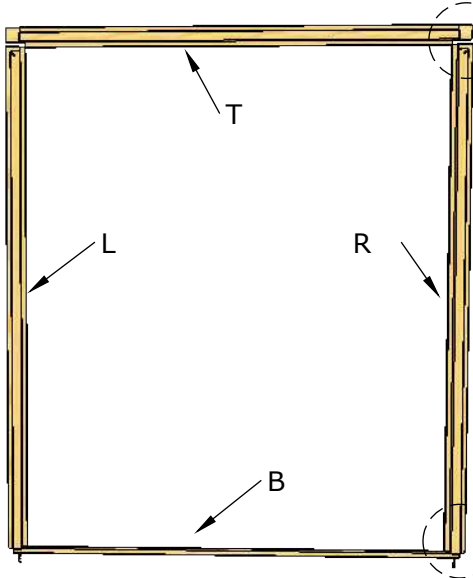
*Screws are not included in the package

The guide is illustrative. This guide is not project specification.

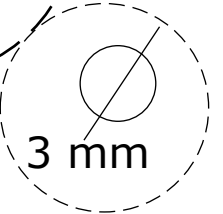
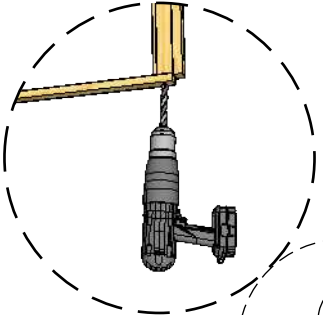
Door assembly



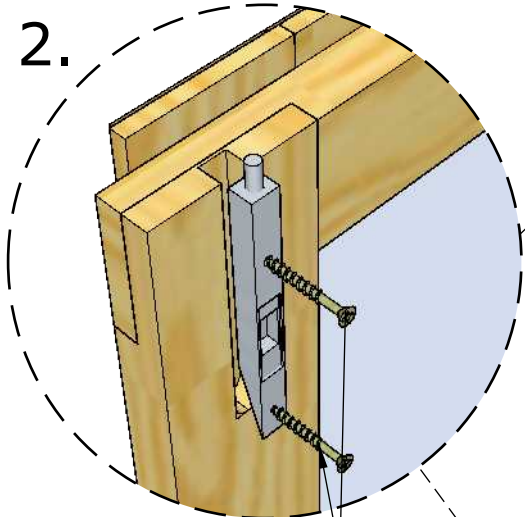
1.



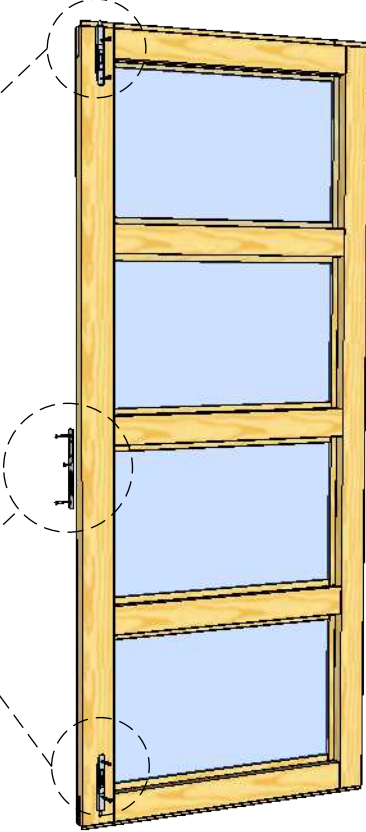
3.5x40*



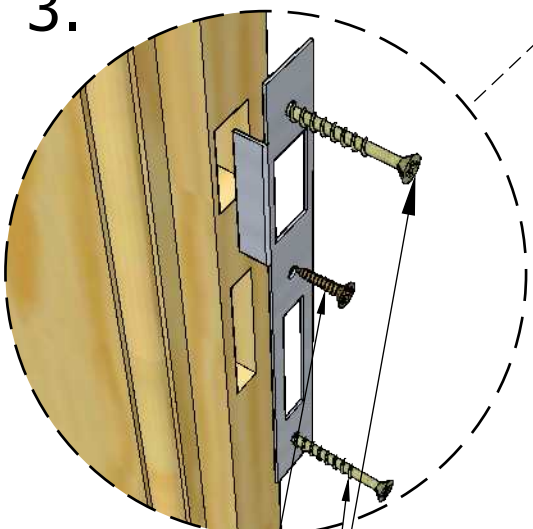
2.



3x30

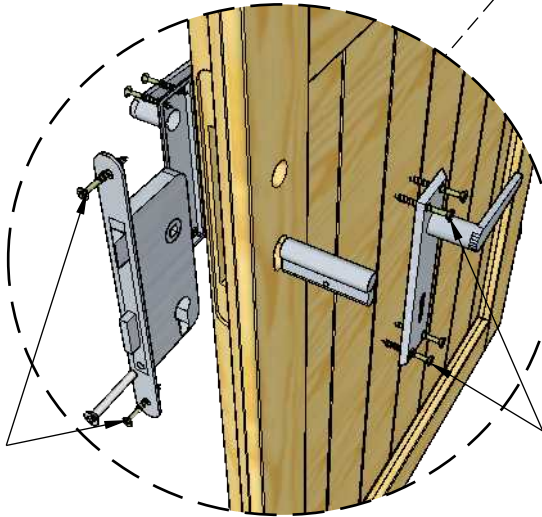


3.



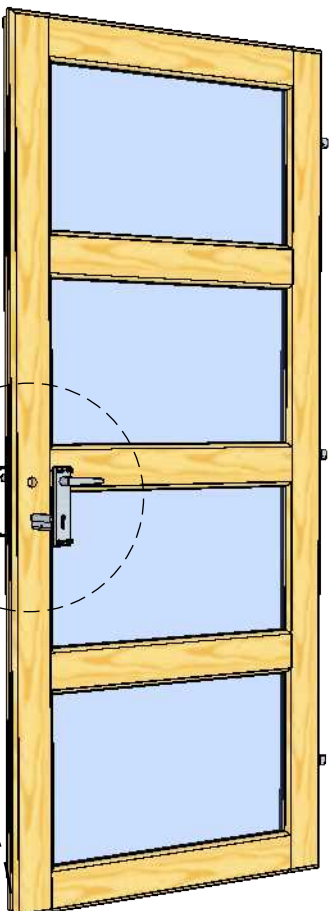
3x16

3x30



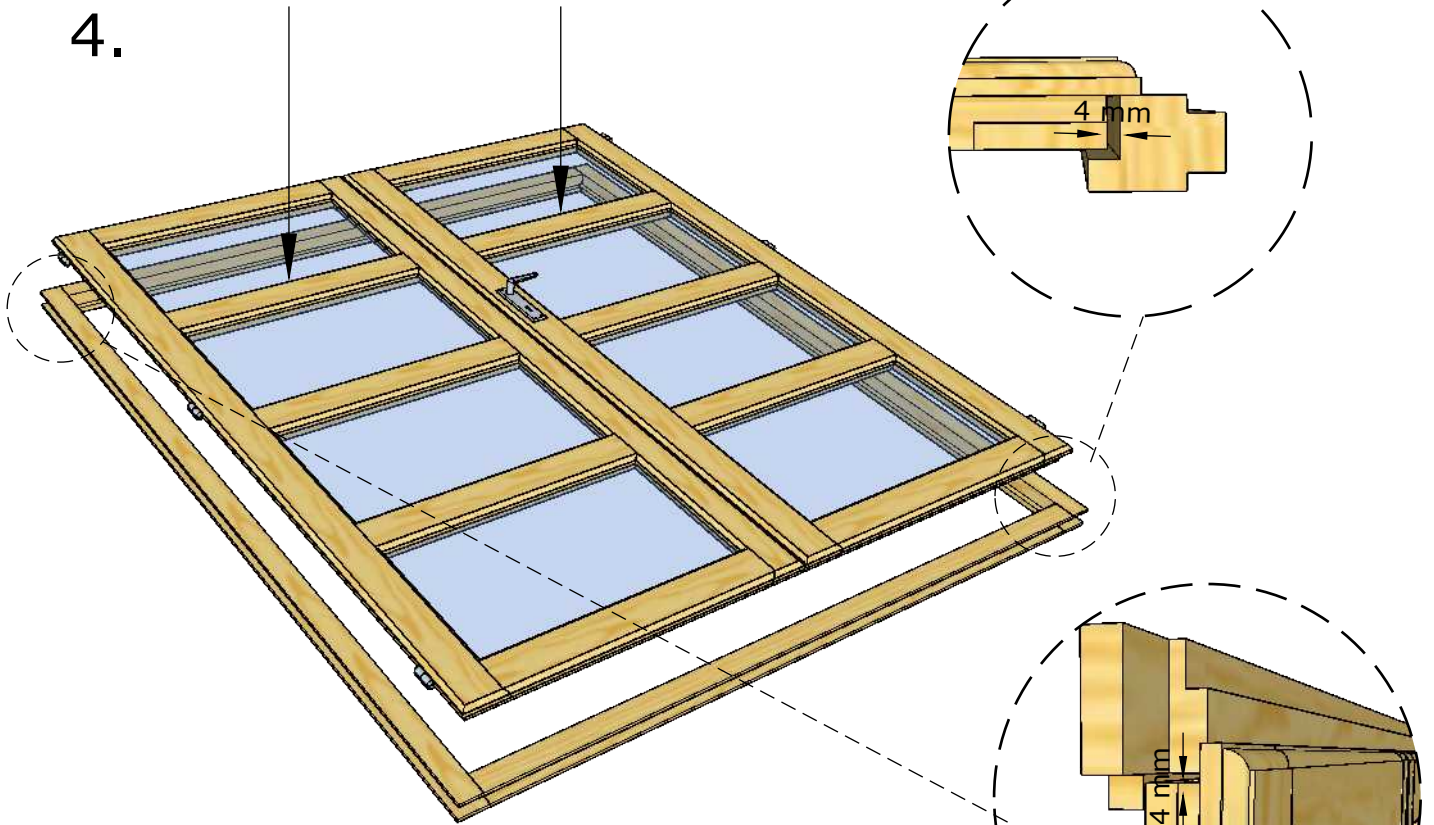
3.5x40

3.5x25

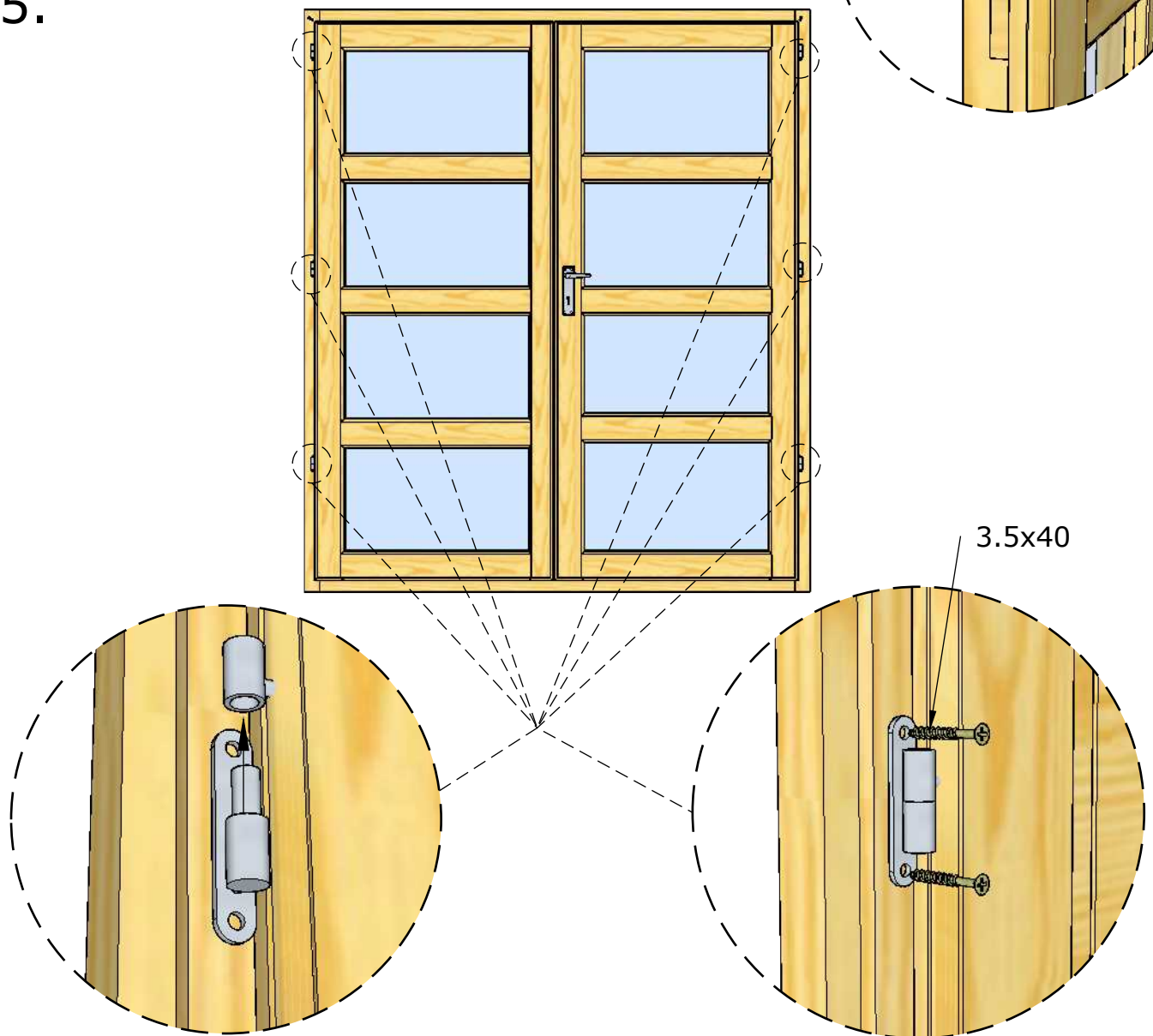


* - Screws are not included in the package

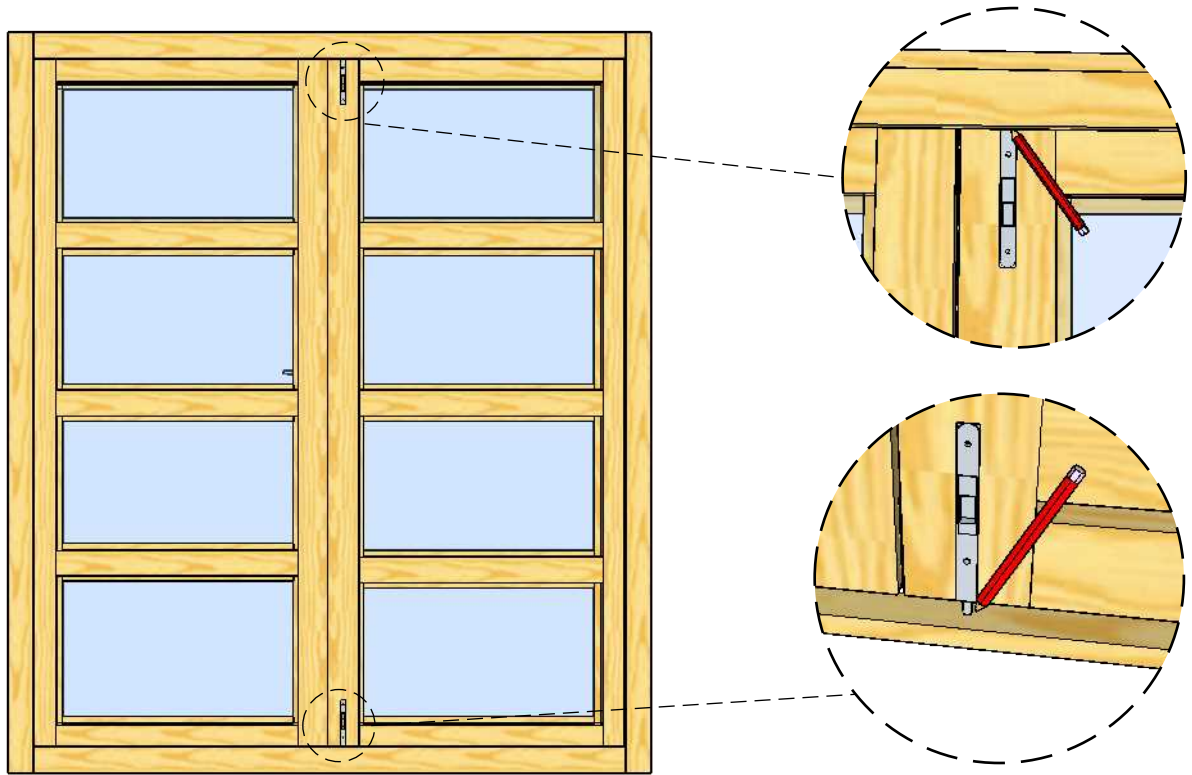
4.



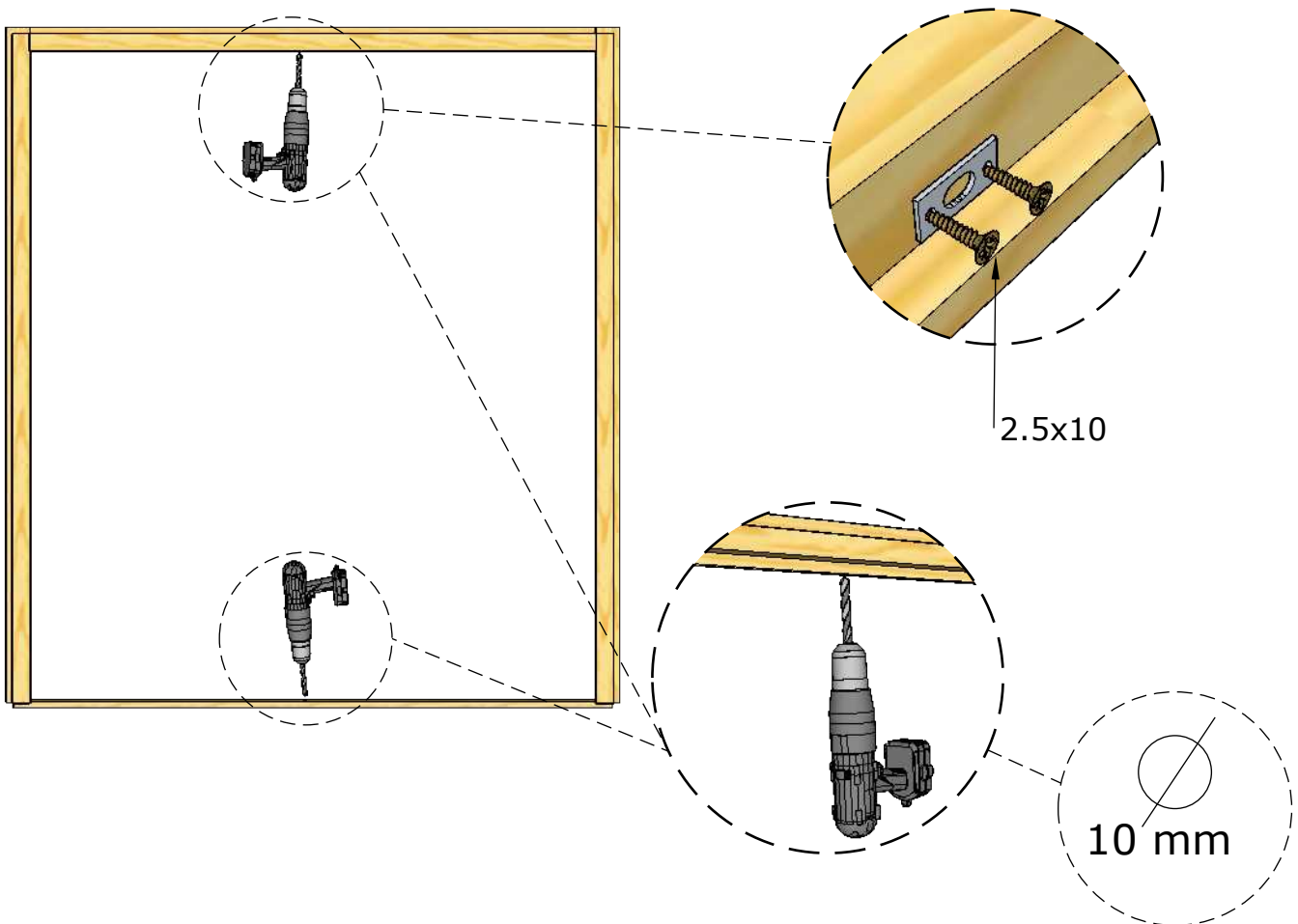
5.

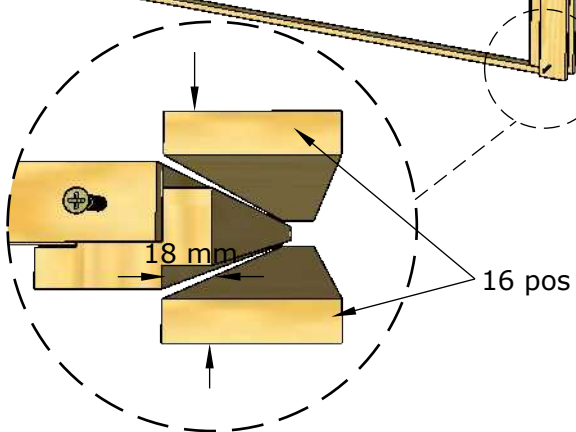
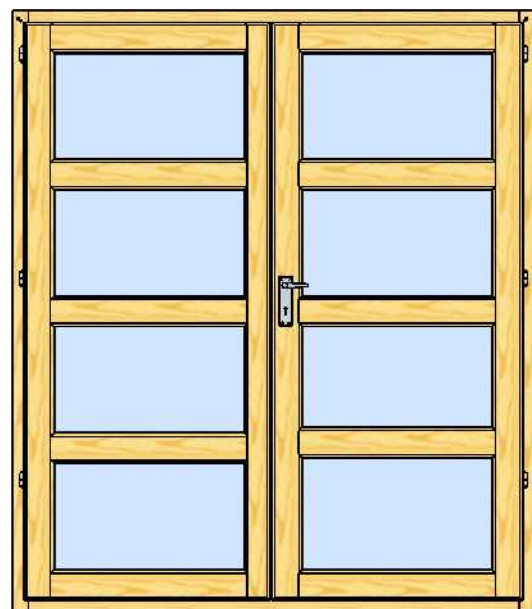
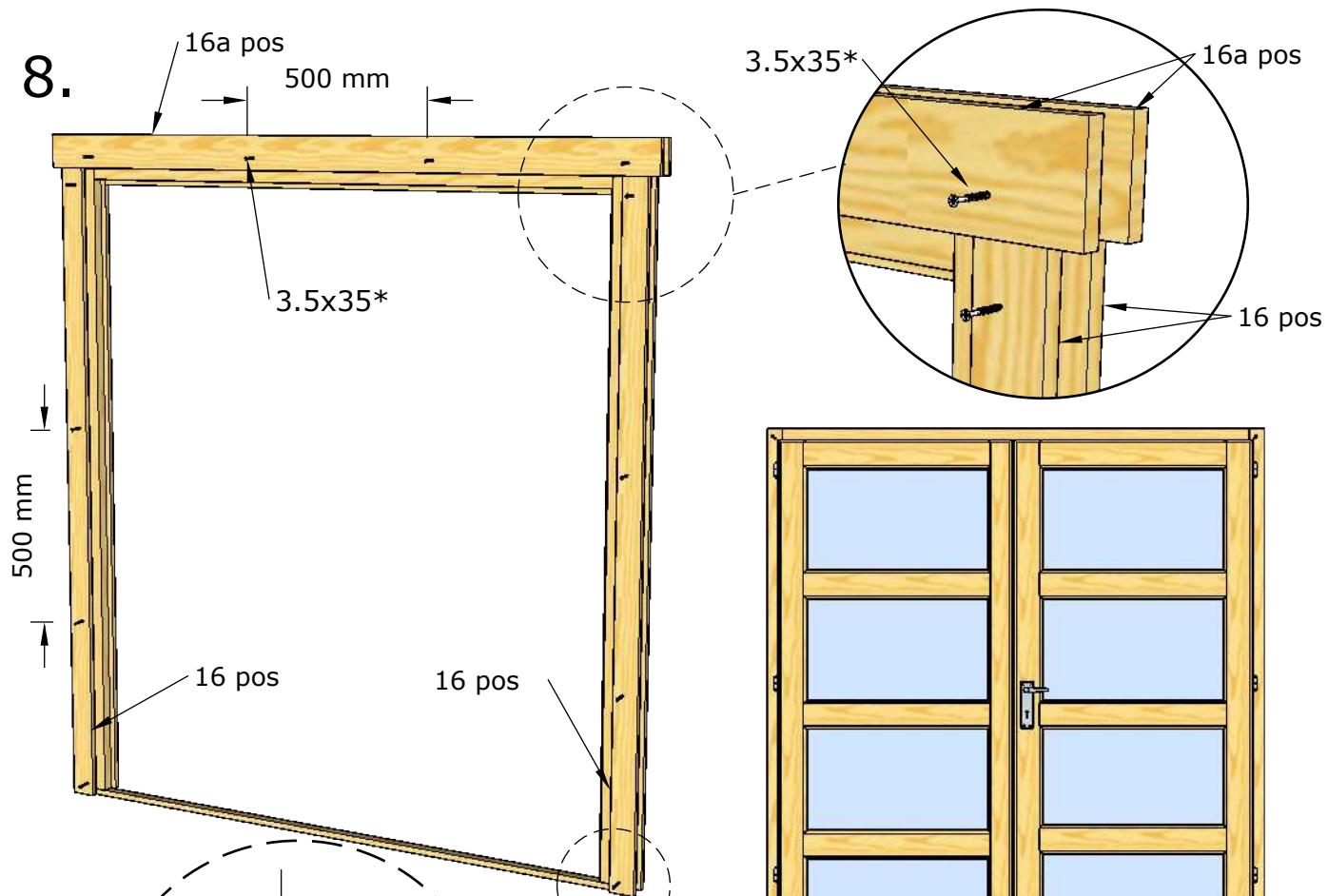


6.

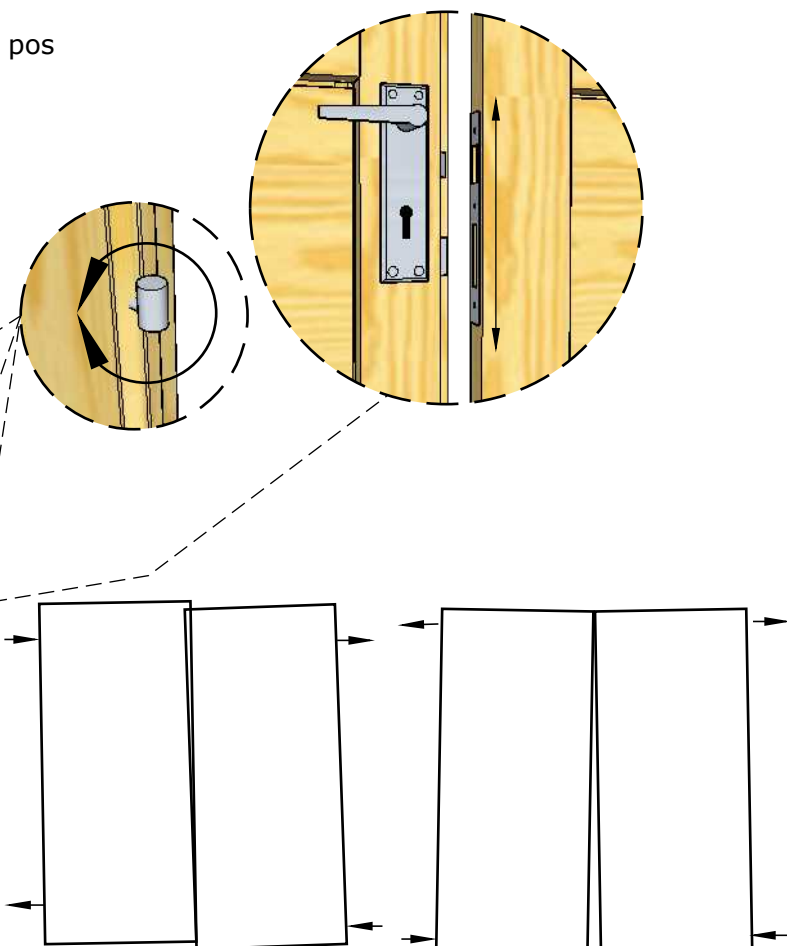
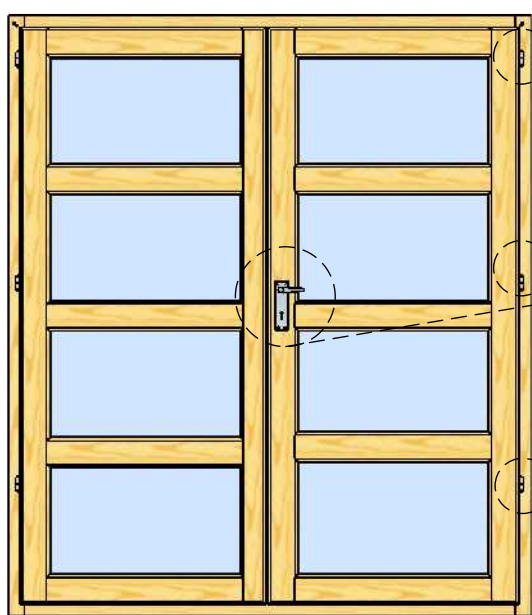


7.

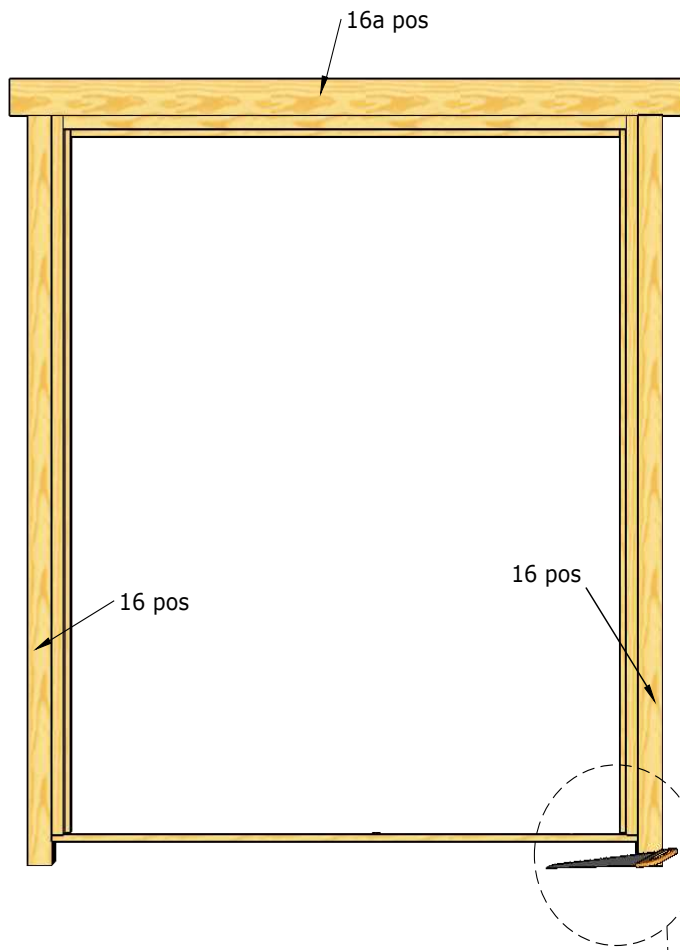




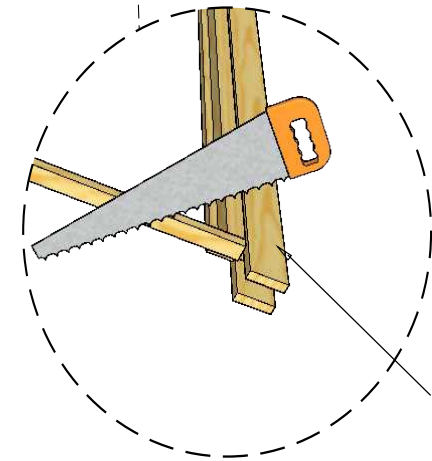
9.



* - Screws are not included in the package



Cut pos 16 if too long



Window

Normal ca 25 mm
min-max ca 5-90 mm

Door

Normal - ca 40 mm;
min - ca 5 mm;
max - ca 90 mm

