

Tampere 40 XS

Installation drawings



Installation drawings

marking			LENGTH	PCS	
extra	WALL LOG 40x146		2780	1	
001	WALL LOG 40x146		2780	2	
002	WALL LOG 40x146		2580	2	
003	WALL LOG 40x146	<i>includes 1 extra</i>	2280	33	
003A	WALL LOG 40x68	<i>starting log</i>	2280	2	
003B	WALL LOG 40x146		2280	1	
003C	WALL LOG 40x146		2280	2	
004C	WALL LOG 40x146		1700	2	
005	WALL LOG 40x146		1212	14	
006C	WALL LOG 40x146		700	2	
007	WALL LOG 40x146		368	14	
008	WALL LOG 40x146		290	26	
	HAMMER BLOCK 40 MM			2	
AR-1	45x95 FLOOR FRAME		2575	1	
AR-2	45x95 FLOOR FRAME		2575	1	
AR-3	45x95 FLOOR FRAME		1980	1	
AR-4	45x70 FLOOR FRAME		1980	1	
AR-5	45x95 FLOOR FRAME		1980	8	
TL-1	28x120 DECKING BOARD		500	18+3	
PL-1	24x120 FLOOR BOARD		1960	18+3	

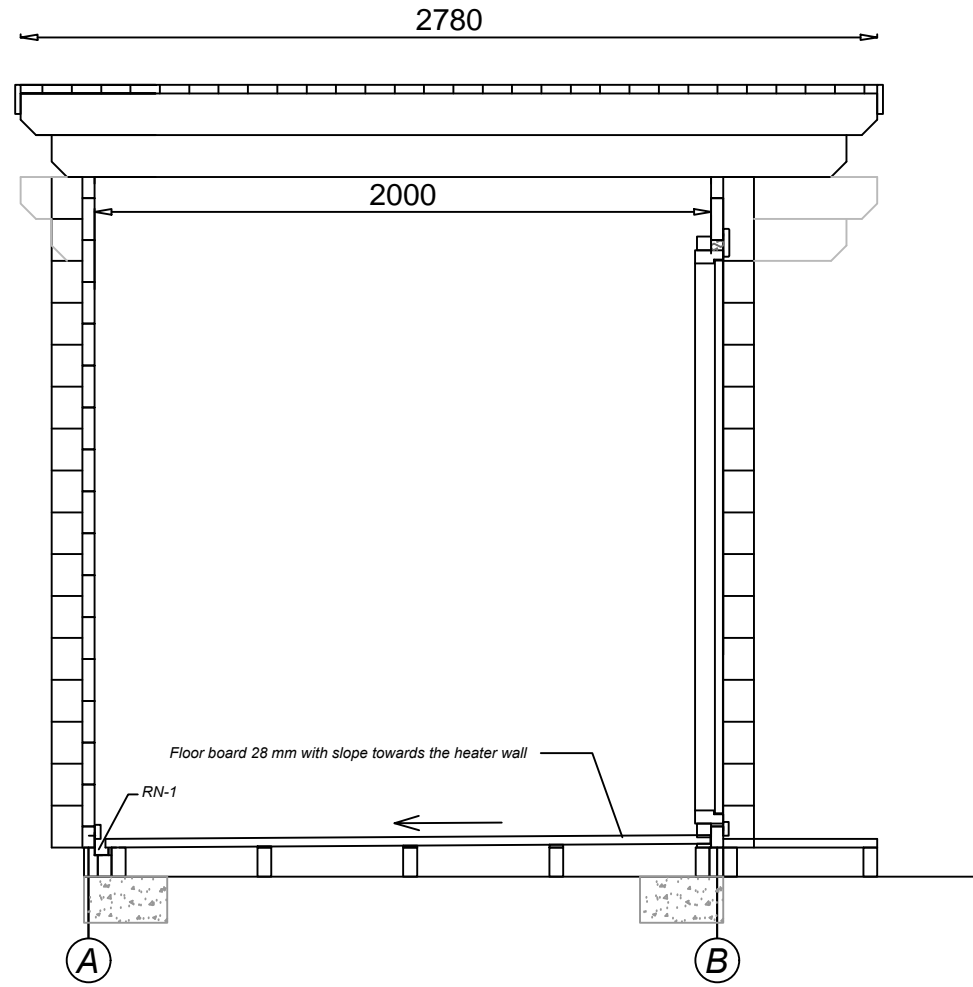
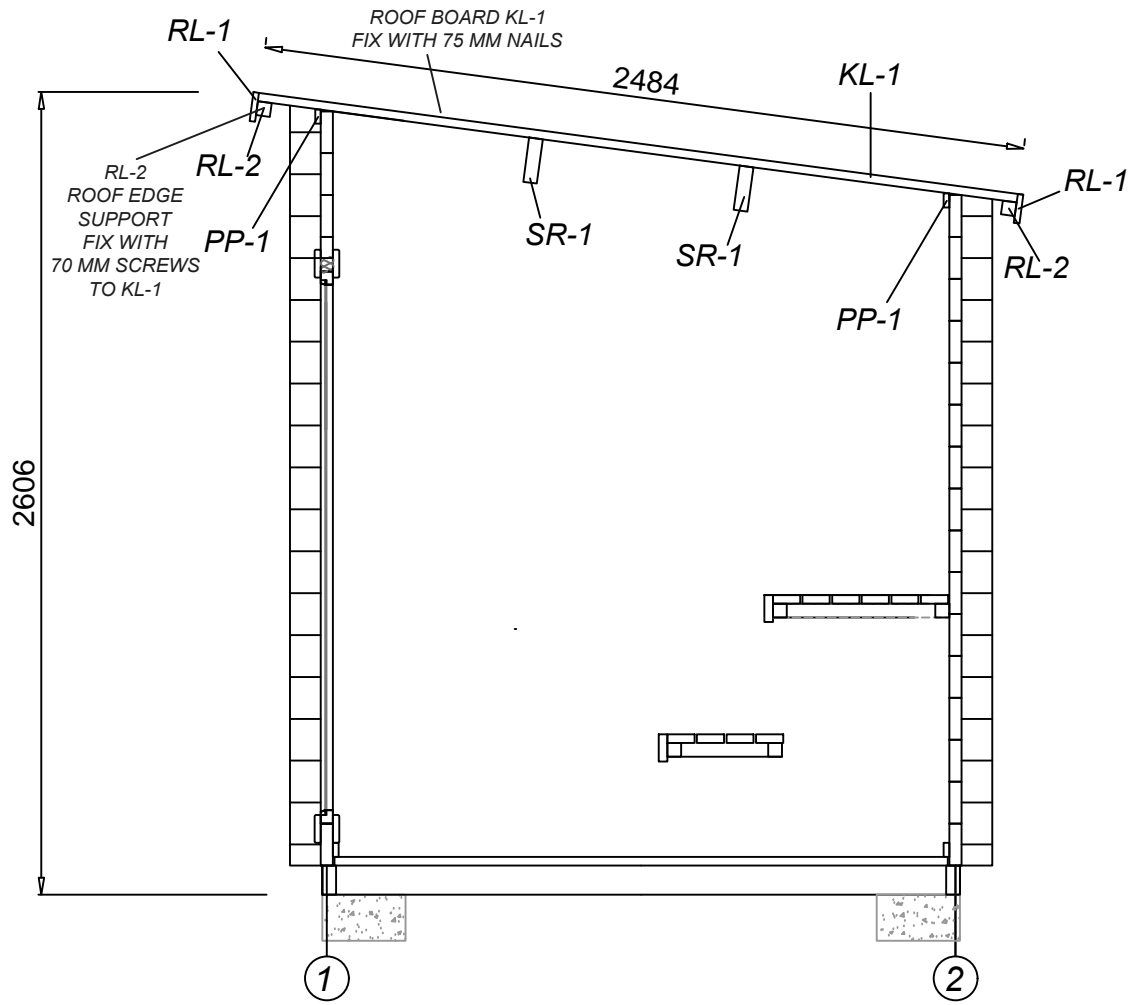
SR-1	45x145 ROOF RAFTER		2780	2	
KL-1	24x120 ROOF BOARD		2484	25+3	
RL-1	18x95 ROOF EDGE BOARD (OVERSIZE)		2820	2	
RL-1	18x95 ROOF EDGE BOARD		2484	2	
RL-2	45x45 ROOF EDGE SUPPORT		2780	2	
PP-1	15x55 FLOOR AND CEILING MOULDINGS		~2100	10	
	WINDOW 42x845x1792			2	
	DOOR 92x690x1860			1	
	DOOR HANDLE SET			1	
UK-1	18x95 DOOR MOULDING		1890	2	
UK-2	18x95 DOOR MOULDING		890	1	
UK-3	15x <u>55</u> DOOR MOULDING		660	1	
AK-1	18x95 WINDOW MOULDING		1900	2	
AK-2	18x95 WINDOW MOULDING		1877	4	
AK-3	18x95 WINDOW MOULDING		1650	2	
AK-4	15x <u>55</u> WINDOW MOULDING		1752	2	
	18x95 EXTRA MOULDING		2100	2	
	UPPER BENCH 600x1992			1	
	LOWER BENCH 400x1992			1	
	HORIZONTAL BENCH SUPPORTS 45x45			1	
	VENTILATION LOUVER WOOD D100			2	
	VENTILATION GRID METAL D100			2	
RN-1	WATER DRAINAGE (OPENING RIGHT)		2000	1	
	3 MM DETAIL FOR FLOOR SLOPE		1995	1	
	6 MM DETAIL FOR FLOOR SLOPE		1995	1	

	9 MM DETAIL FOR FLOOR SLOPE		1995	1	
	12 MM DETAIL FOR FLOOR SLOPE		1995	1	
	SCREW 3,5x40 Stainless FOR MOULDINGS			100	
	SCREW 4,8x90 FOR CONNECTION WALL LOGS			300	
	SCREW 3,5x50 FOR FLOOR BOARDS			200	
	SCREW 4,2x55 Stainless FOR DECKING AND ROOF EDGE			200	
	SCREW 4,5x70 FOR BENCH SUPPORTS AND ROOF EDGE			100	
	SCREW 5,0x90 FOR FLOOR FRAME AND WALL LOGS			125	
	SCREW 6x180 FOR RAFTERS AND WALL LOGS			25	
	NAIL 75MM FOR ROOF BOARD			~300	

40x146 WALL LOGS

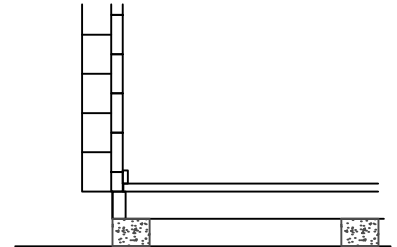
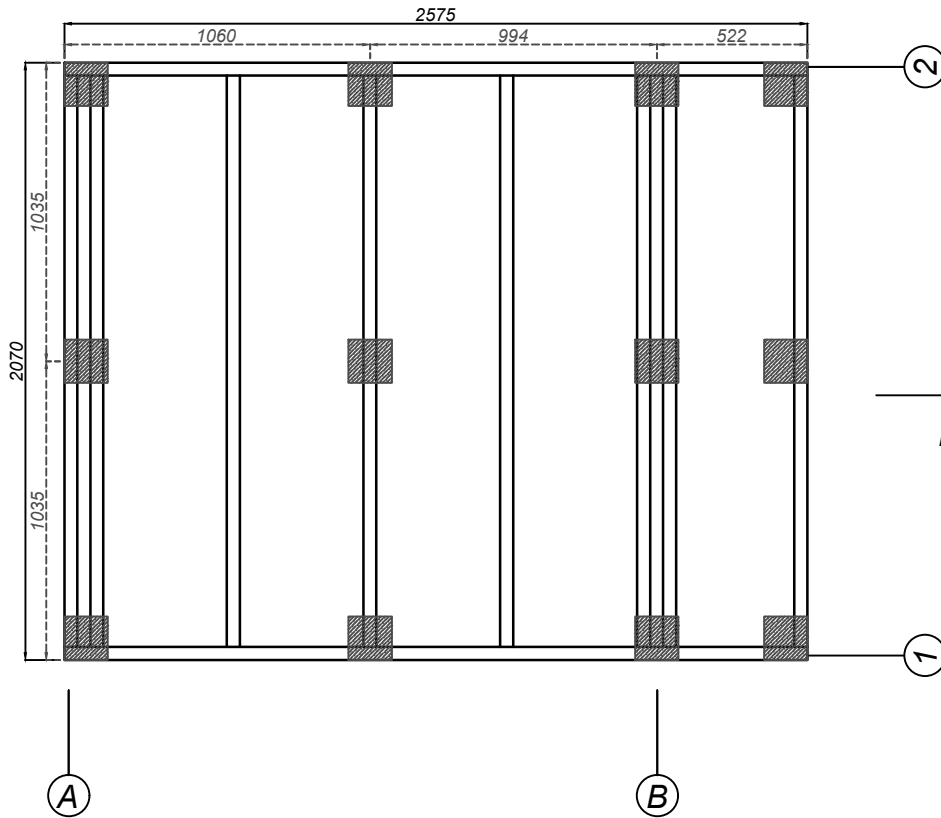
	<i>extra</i>	1 pcs	
	001	2 pcs	<p style="text-align: right;">LAST ROW</p>
	002	2 pcs	
	003	33 pcs <i>(includes 1 extra)</i>	
	003A	2 pcs	<p style="text-align: right;">STARTING LOG</p>
	003B	1 pcs	
	003C	2 pcs	
	004C	2 pcs	
	005	14 pcs	
	006C	2 pcs	
	007	14 pcs	
	008	26 pcs	

CROSS SECTION



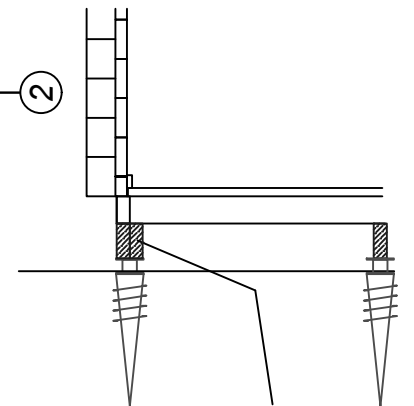
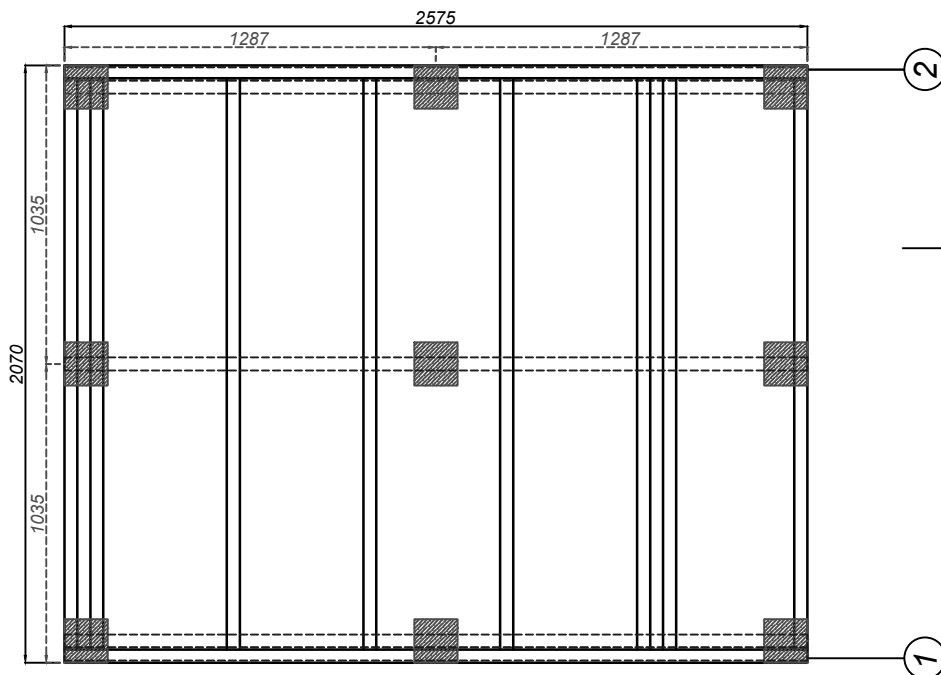
BASEMENT POSITIONING

OPTION A



PLACE THE BITUMEN LAYER
BETWEEN THE
WOOD AND CONCRETE TO
PROTECT FROM
MOISTURE

OPTION B
WHEN USING AN EXTRA BEAMS UNDER THE FLOOR FRAME -
AMOUNT OF SUPPORTS CAN BE REDUCED
(NOT INCLUDED WITH DELIVERY KIT)



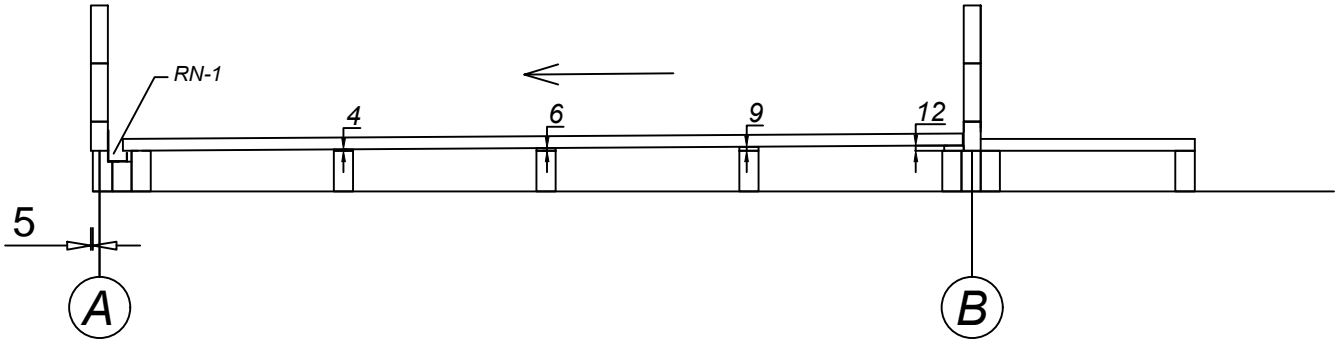
EXTRA BEAMS
45x95 IMPEGRATED
(NOT INCLUDED IN
STANDARD DELIVERY KIT)

NOT INCLUDED IN DELIVERY SET:

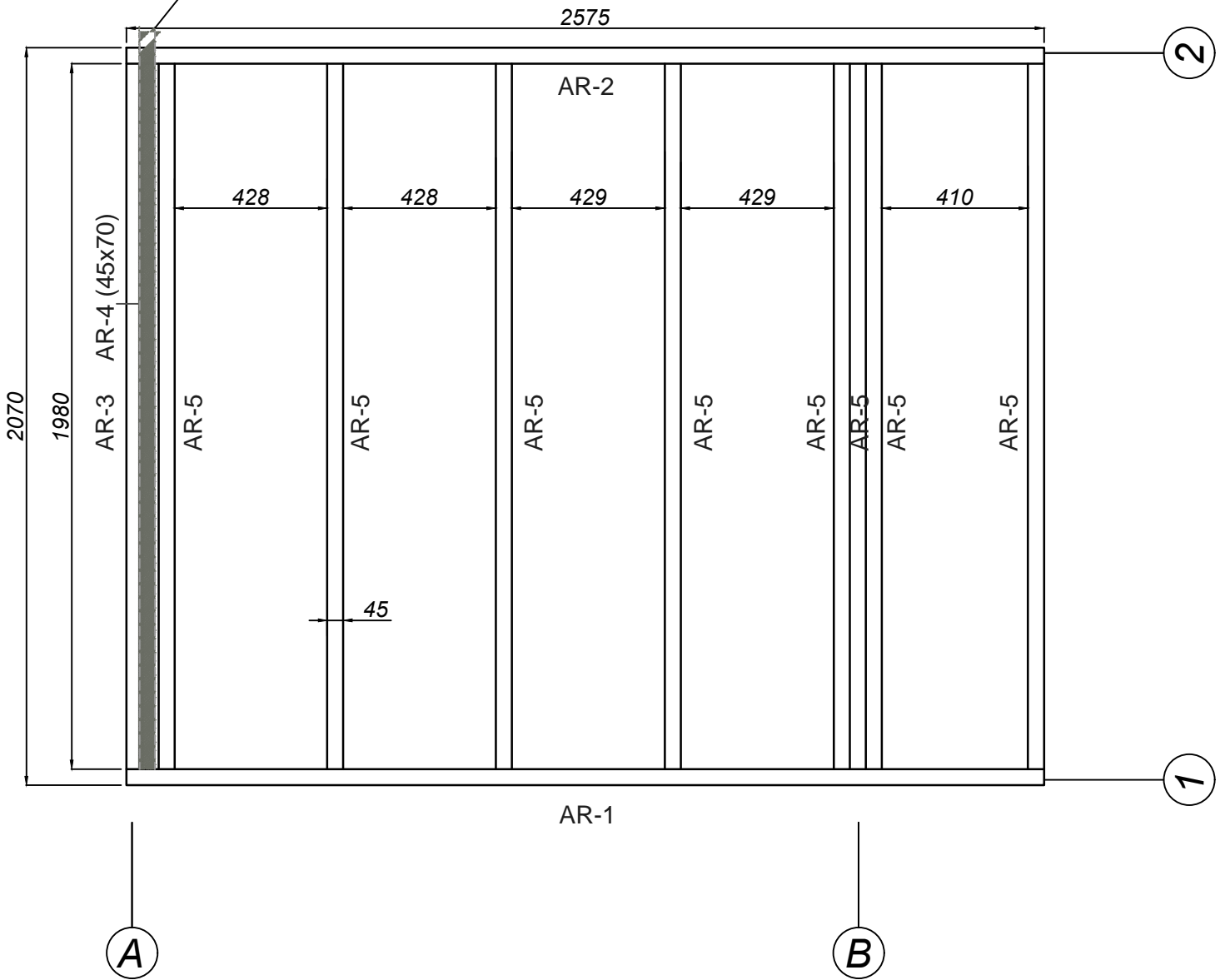
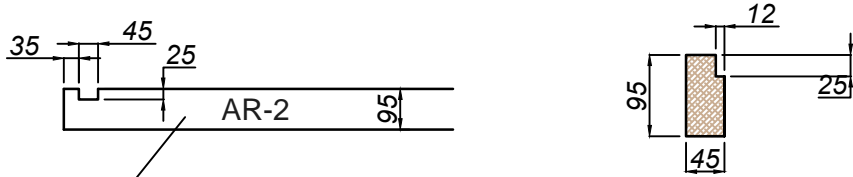
- (A) METAL FOUNDATION SCREWS
- CONCRETE BLOCKS
- (B) EXTRA BEAMS UNDER THE FLOOR FRAME

FLOOR FRAME 45x95

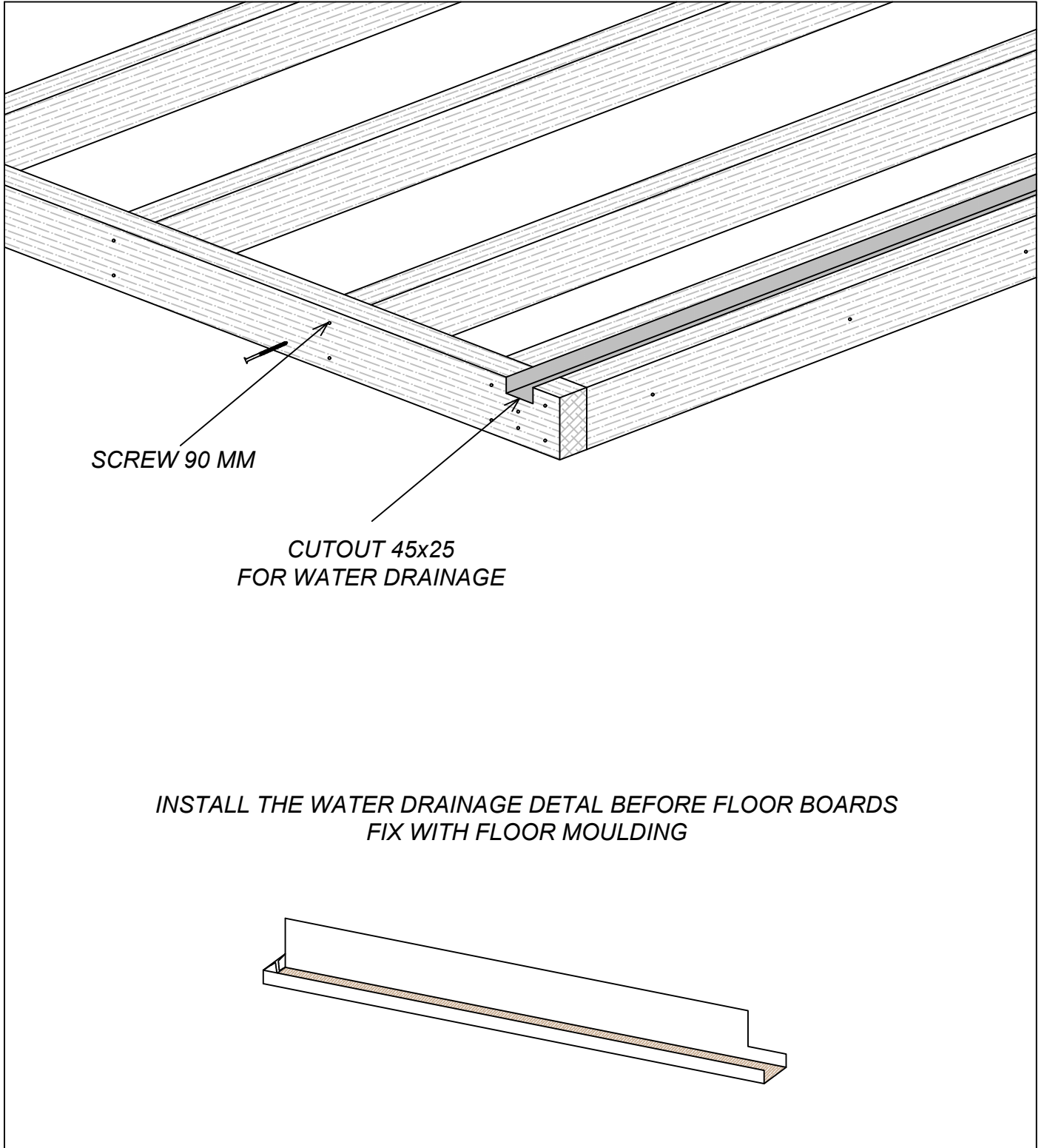
ADD DISTANCE BOARDS UNDER THE FLOOR BOARDS
FOR FLOOR SLOPE



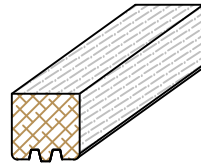
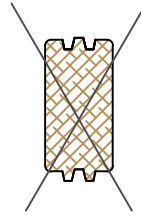
AR-3 CROSS-SECTION



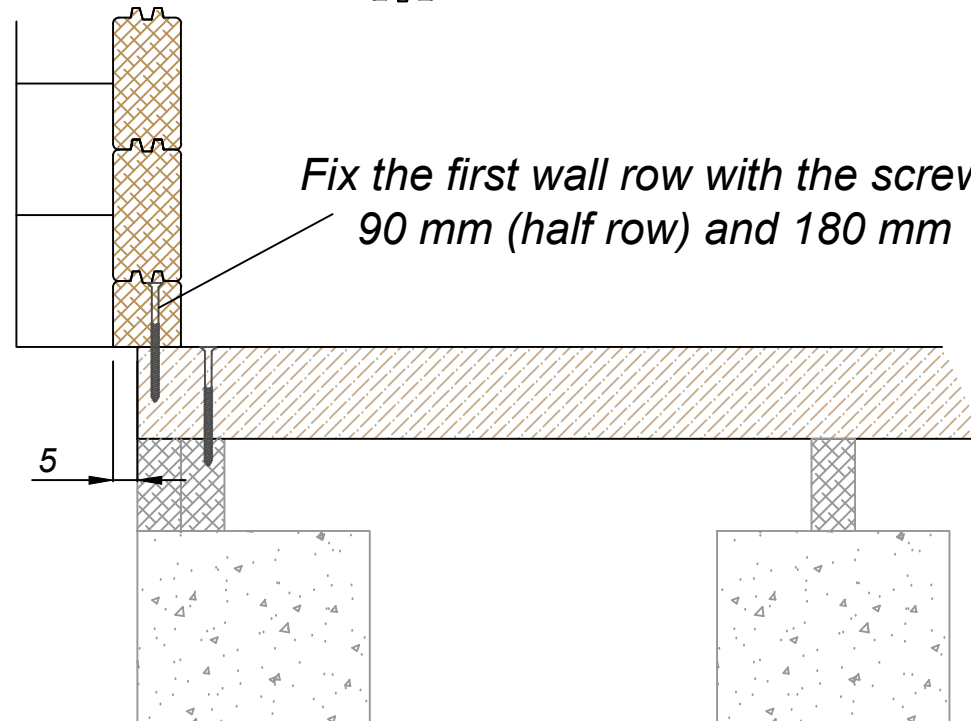
FLOOR FRAME



FIRST ROW



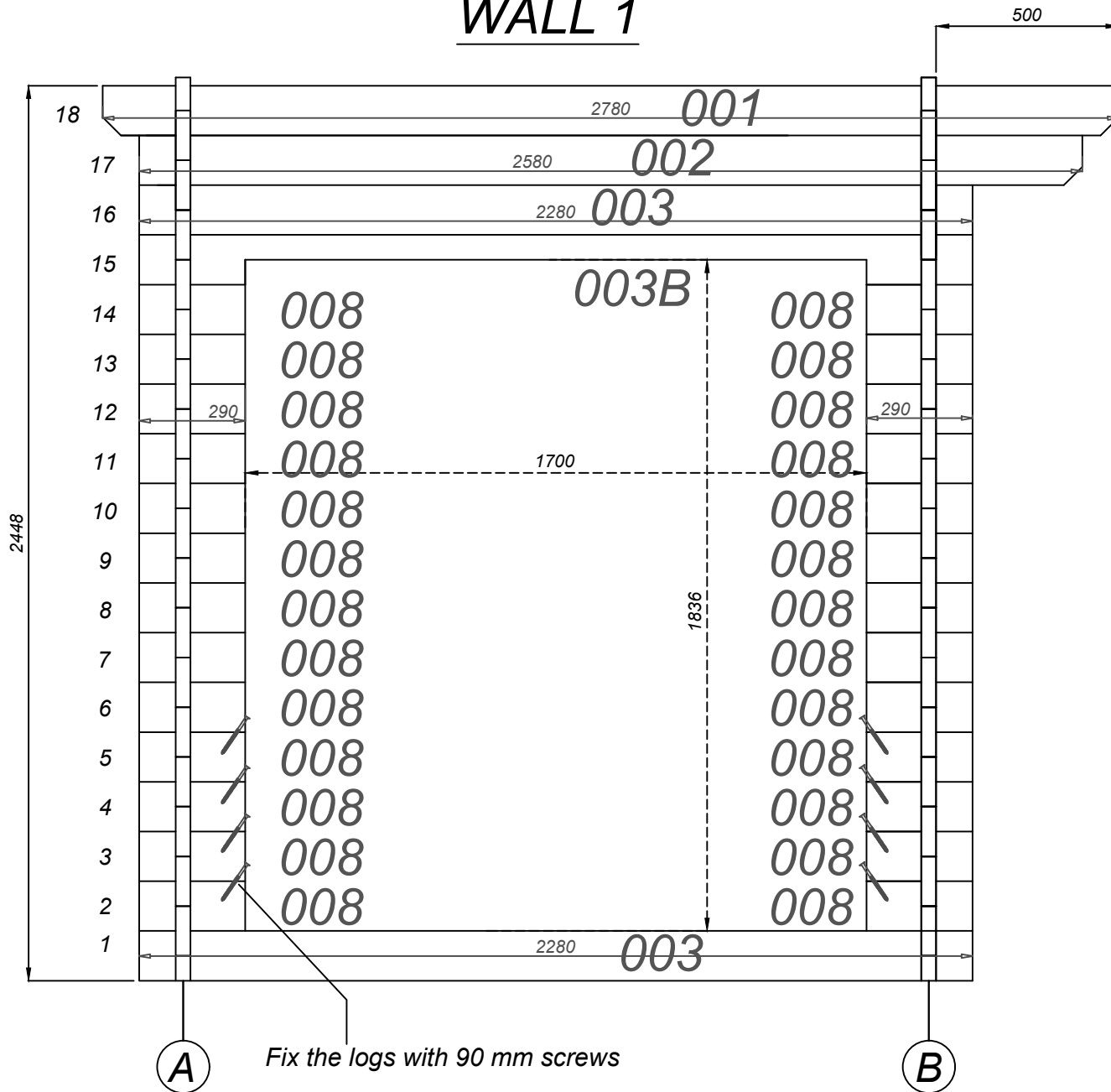
Use rubber hammer and hammer block



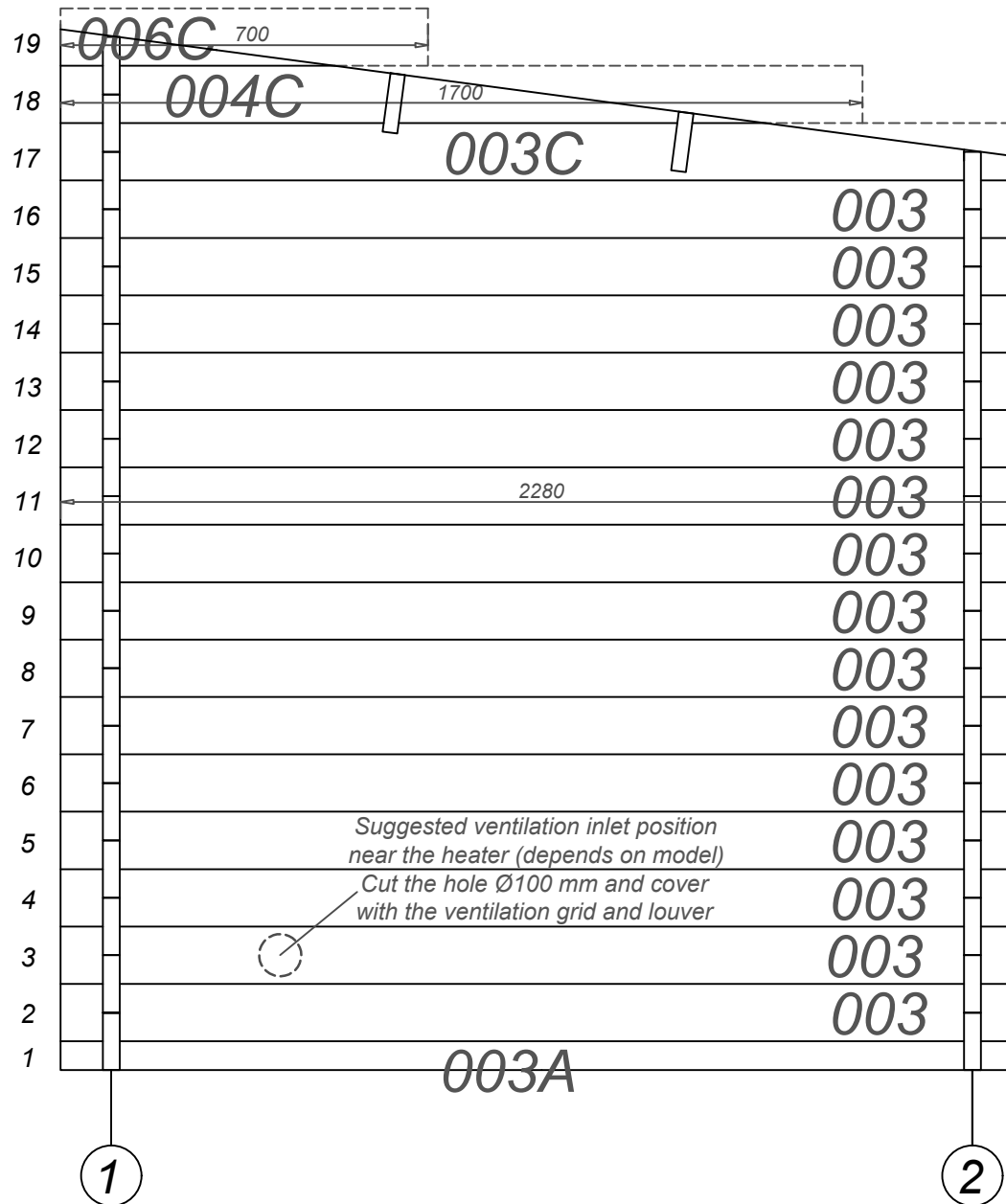
**IN EACH CONNECTION USE 90 MM STAINLESS SCREWS
(TO PROTECT THE BUILDING FOR WIND)**



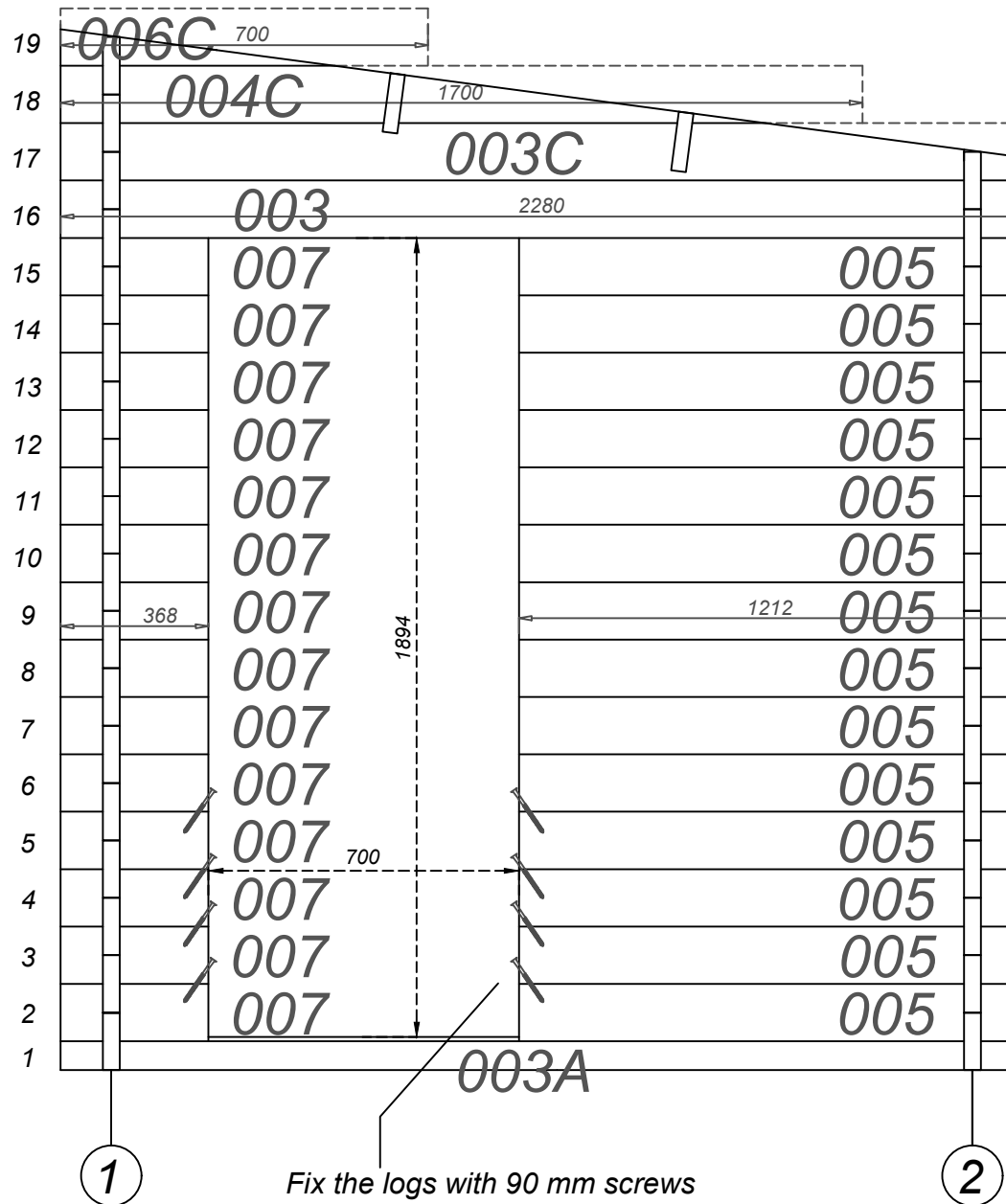
WALL 1



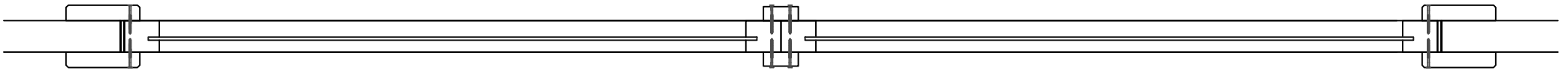
WALL A



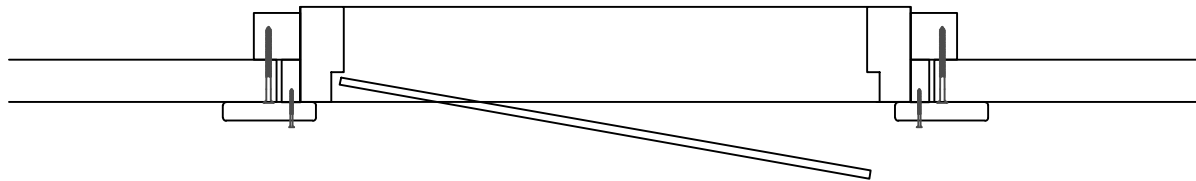
WALL B



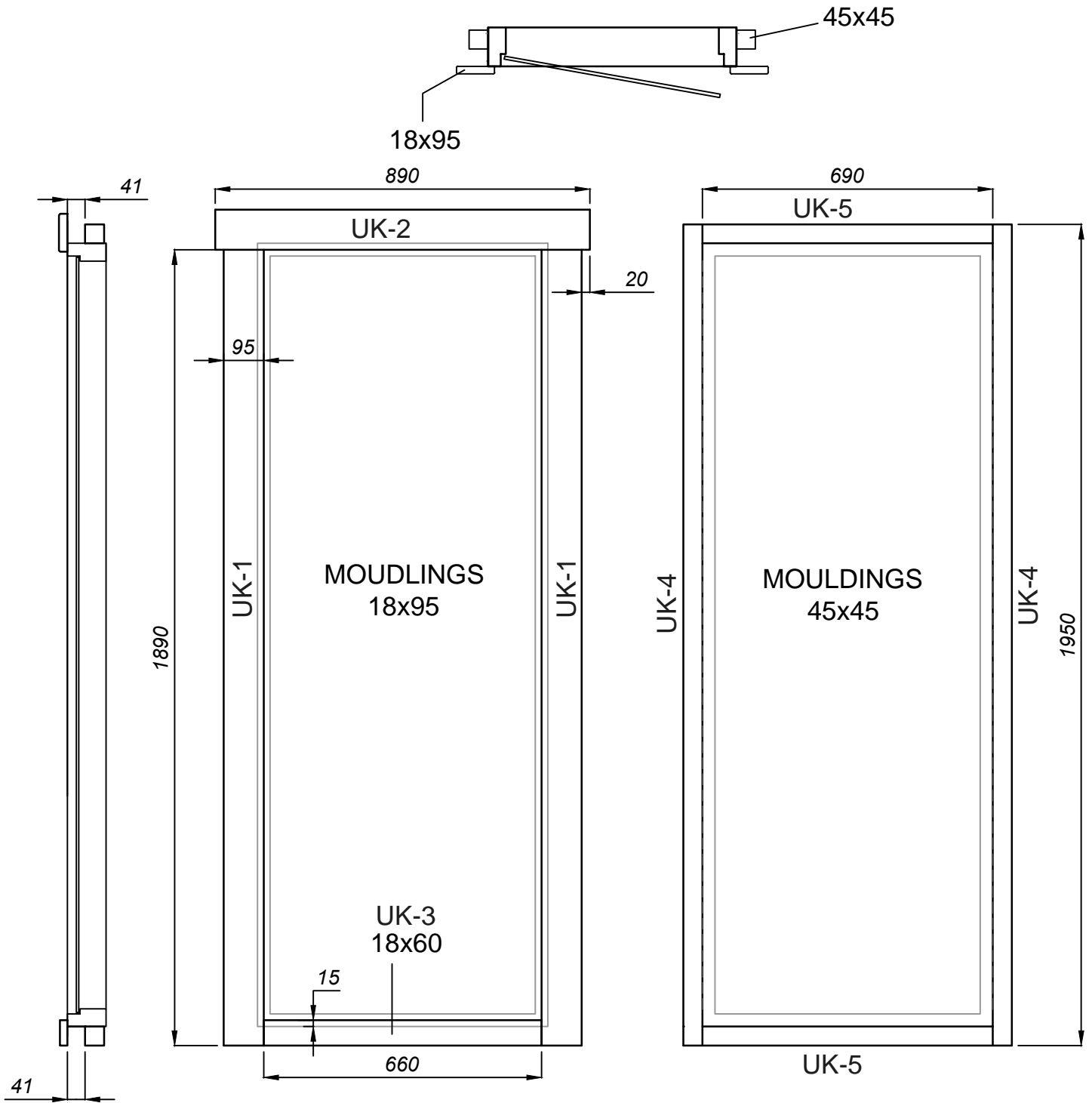
FIX THE WINDOWS TO THE WALL WITH THE MOULDINGS,
USING THE 40 MM STAINLESS SCREWS



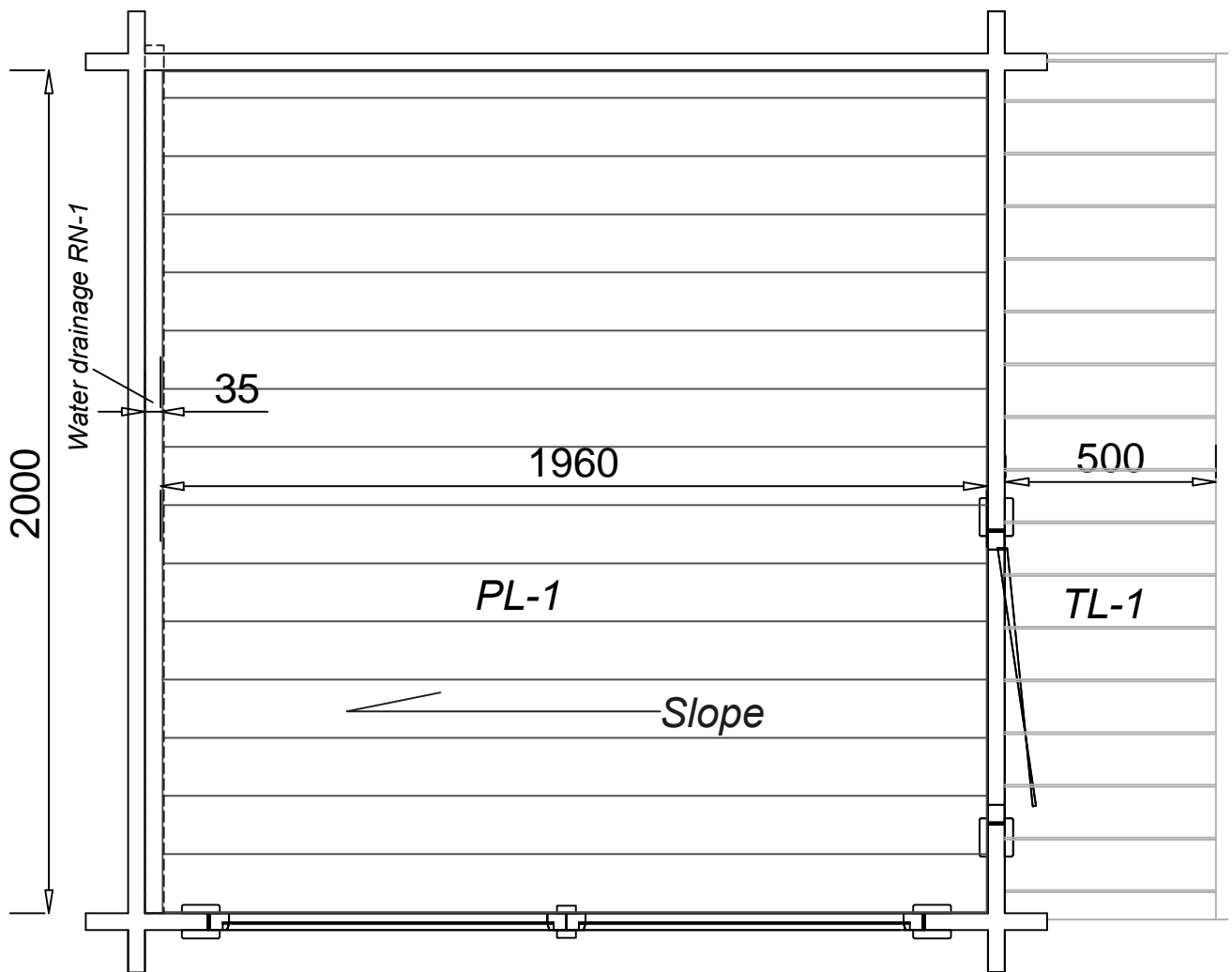
FIX THE DOOR TO THE WALL WITH THE 55 MM STAINLESS SCREWS
FIX THE MOULDINGS USING THE 40 MM STAINLESS SCREWS



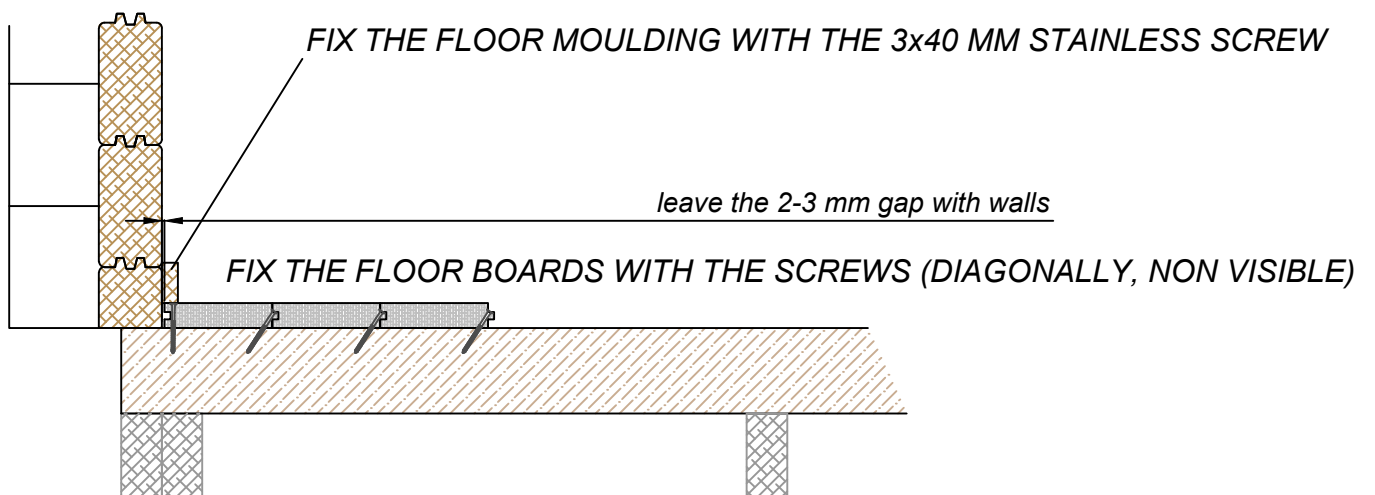
DOOR MOULDINGS (OUTSIDE DOOR)



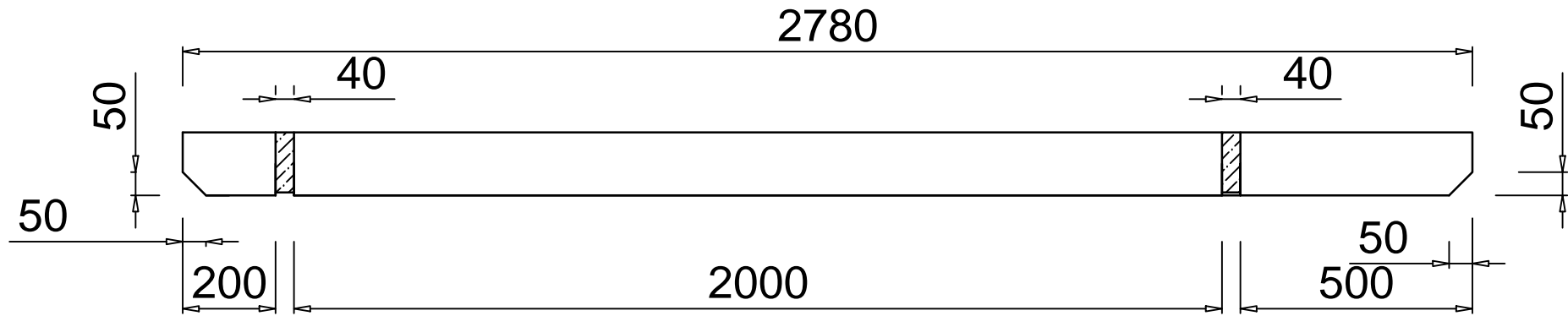
FLOOR BOARDS AND DECKING BOARDS



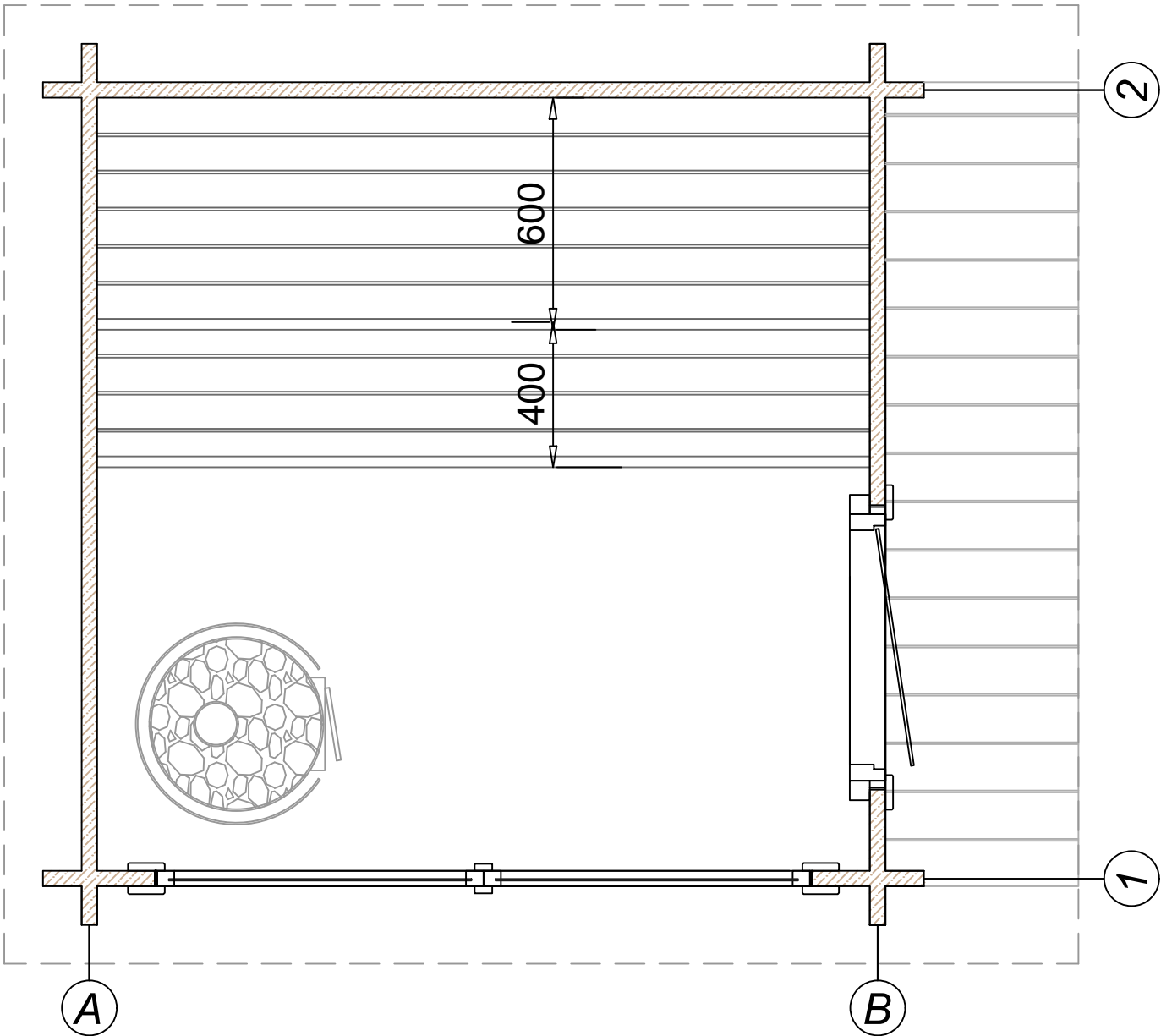
BEFORE THE FLOOR BOARD, INSTALL FLOOR SLOPE DETAILS



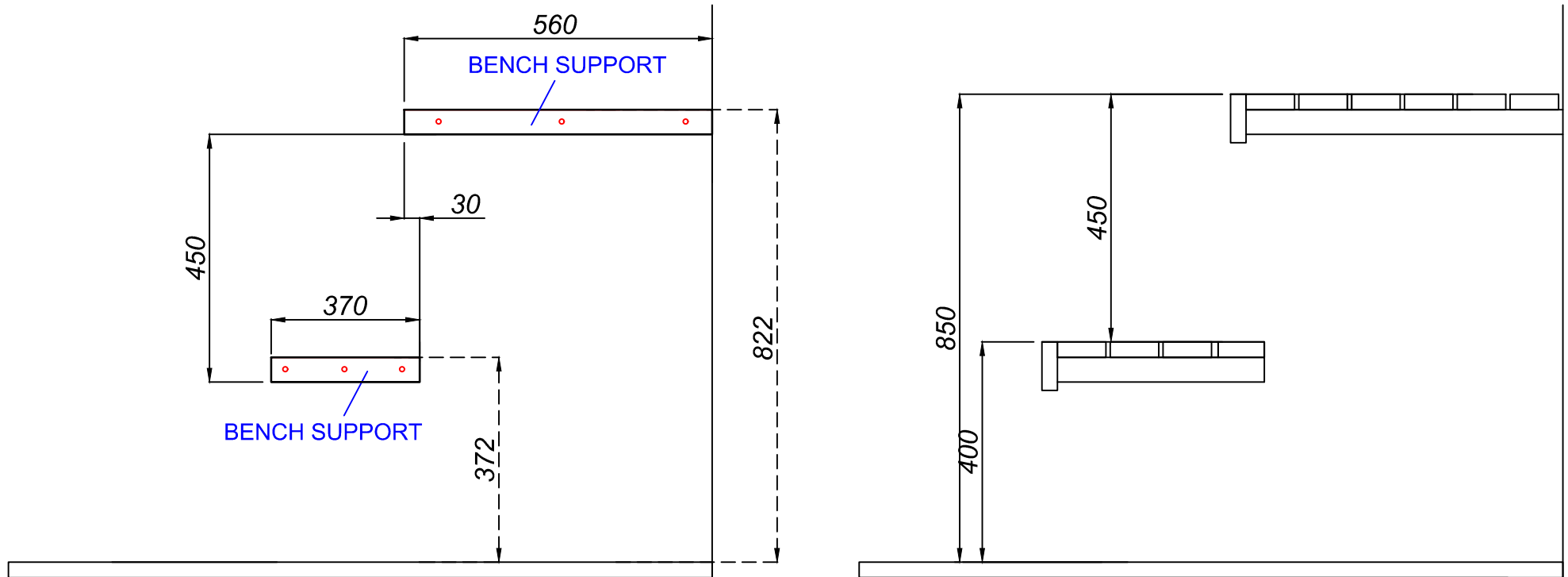
ROOF RAFTER SR-1 - 2 pcs



BENCH SET



BENCH SUPPORTS



1. FIRST FIX THE BENCH SUPPORTS TO THE WALL
2. THEN LIFT THE BENCHES ON TOP OF THEM
3. FIX THE BENCHES WITH THE 70 MM SCREWS TO THE WALLS AND SUPPORTS