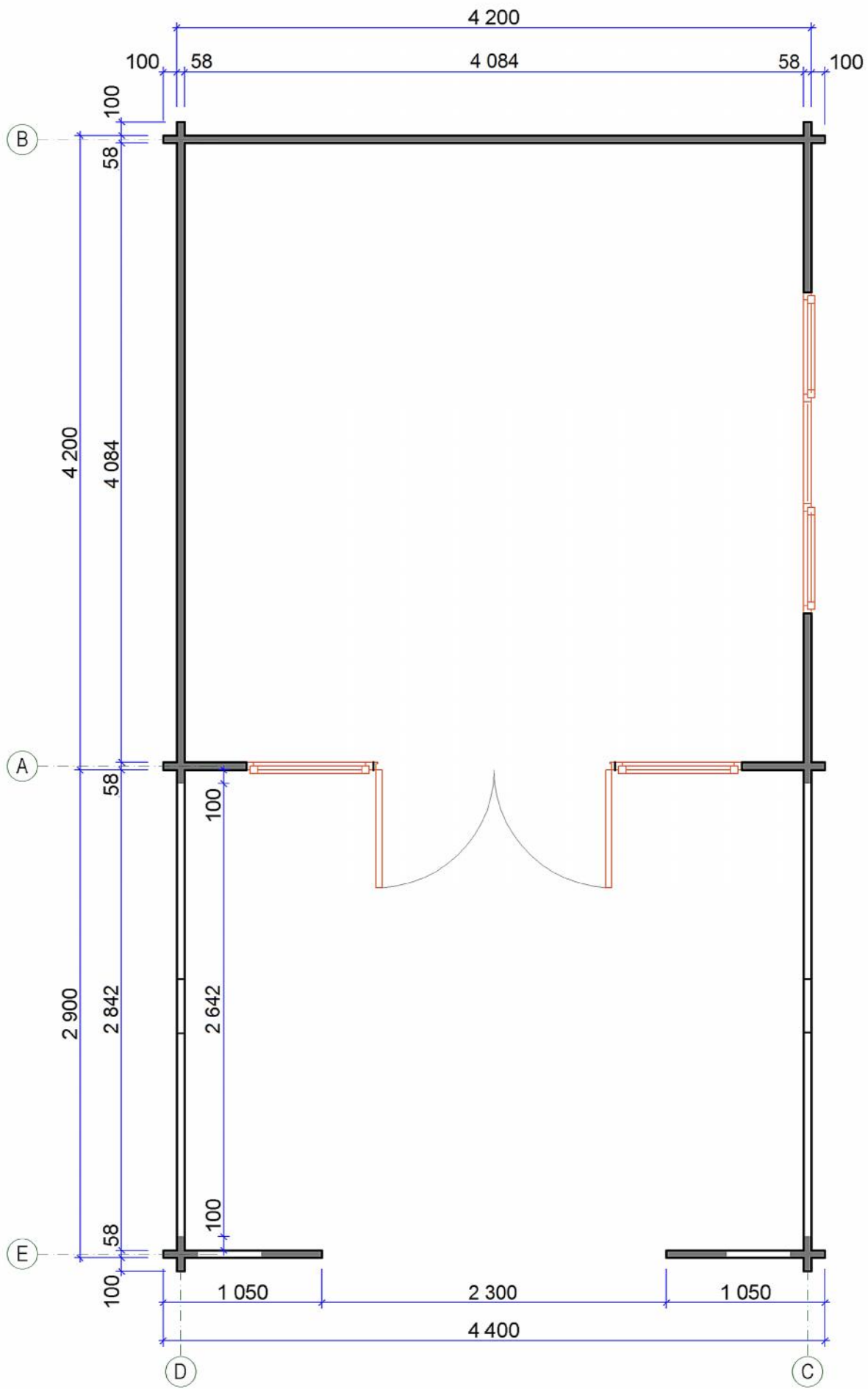


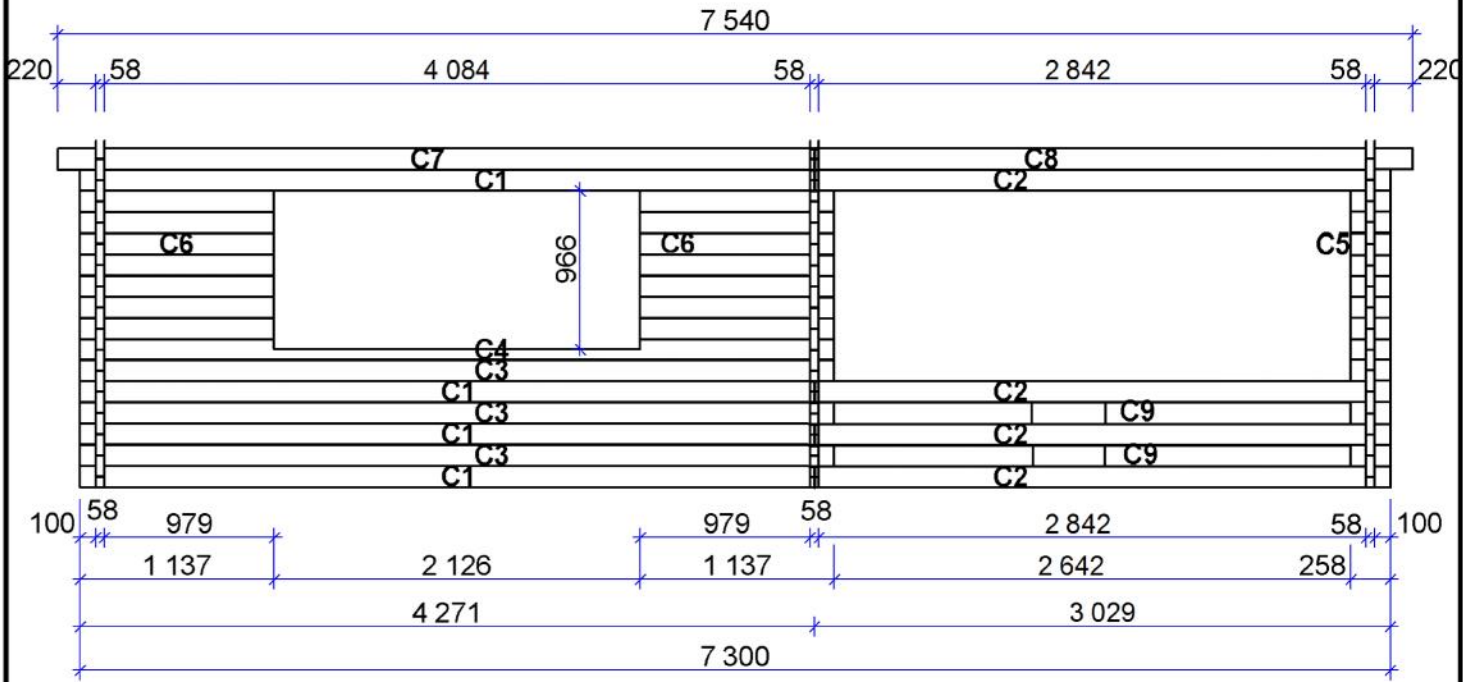
Pos	LEEDS 4,4 x 4,4 + 3,0 58x135	Profile	Length	St.		
D5 C7		58x135	4391	2		
D6 C8			3149	2		
D3 C3 E6 B2		58x135	4400	30		
C4			4400	1		
A3			4400	1		
D1 C1				4271	8	
D2 C2				3029	8	
C6				1137	14	
E2				1050	4	
E5				1050	2	
A2				560	28	
C9 D7 E4				400	8	
C5 D4 E3				258	44	
B1 A1				58 x 67	4400	2
E1				1050	2	
A4 B4 E7			APEX 4 доски	58x135	4400	3
25	ROOFING BOARDS	19 x 85	2380	178		
26	WINDOW	2126 x 966		1		
27	Block of doors	3280 x 1938		1		
28	Roof of cover fixture	20x120 or 20x145	2430	4		
30	Roof of cover fixture	20x95	2450	4		
37	Beam	40x40	3770	4		
38	ROOF JOIST	58x145	4520	4		
39			3278	4		
38\1	RIDGE BEAM		4391	1		
39\1			3149	1		
52	Amrest	20x95	2972	2		
			822	2		
			675	2		
53	Diamond			2		
E8	Beam	40x40	2052	2		



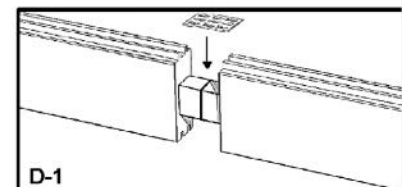
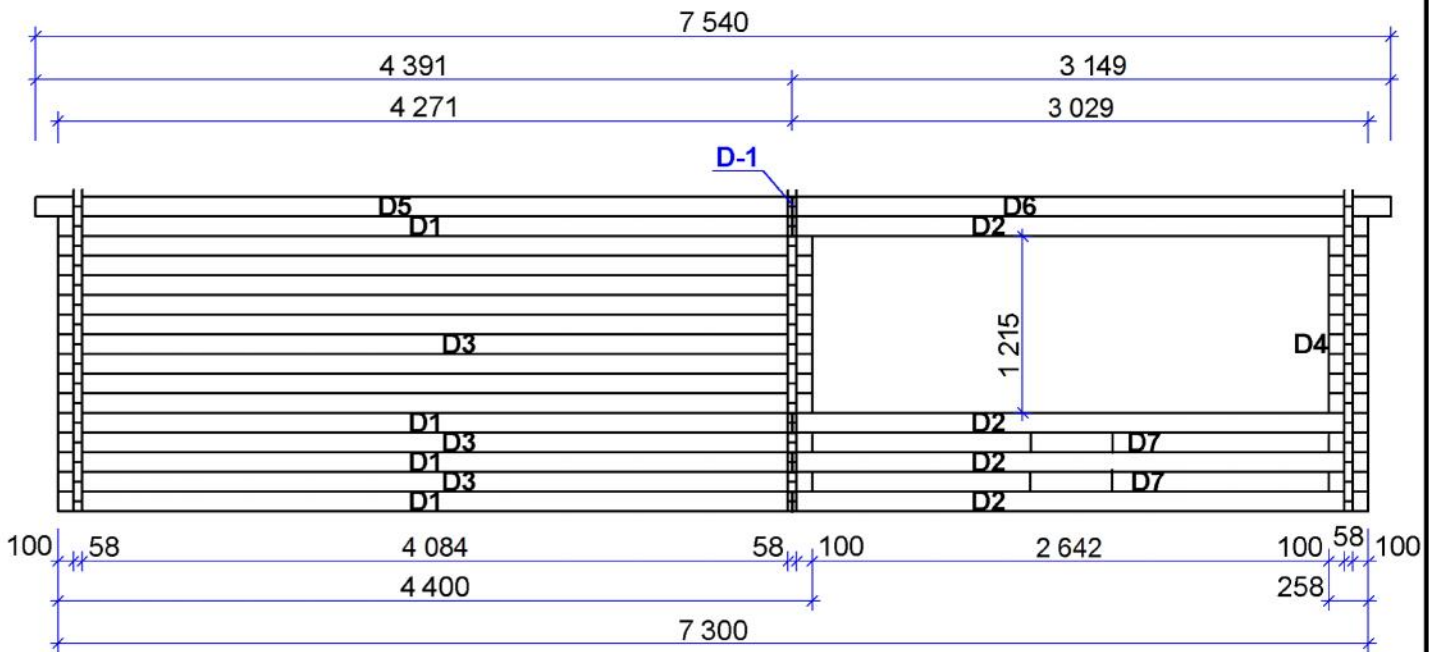
LEEDS

4,4 x 4,4 + 3,0 58 mm

Wall C

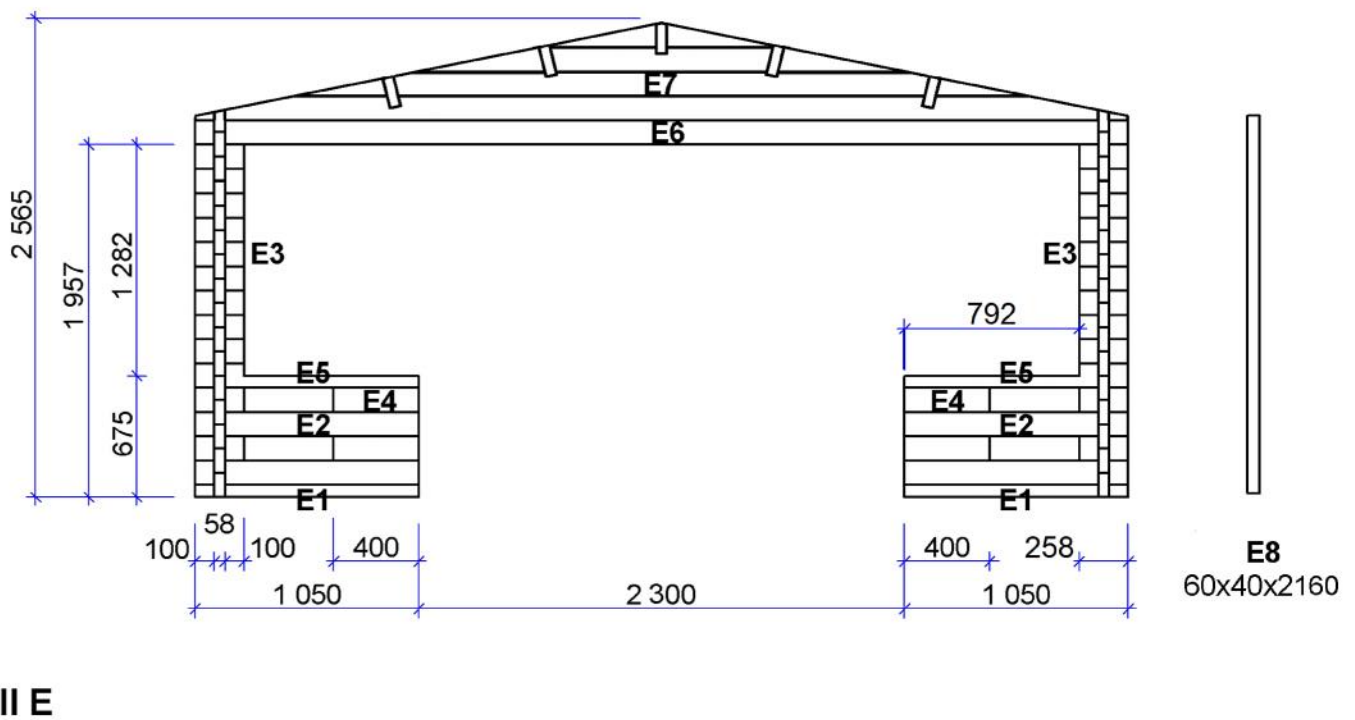
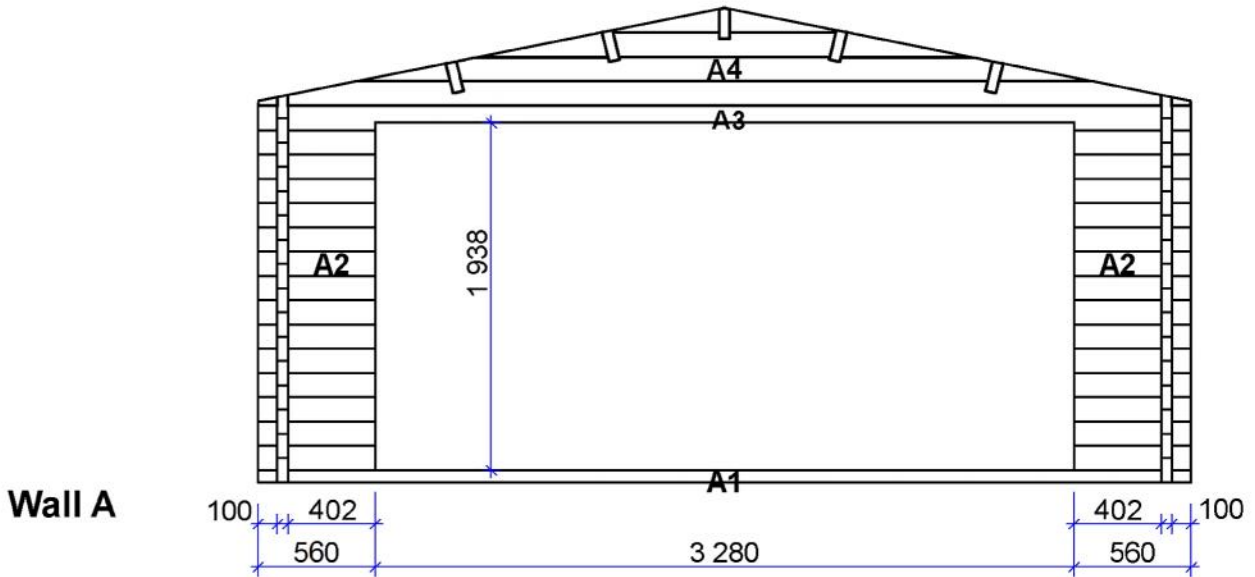
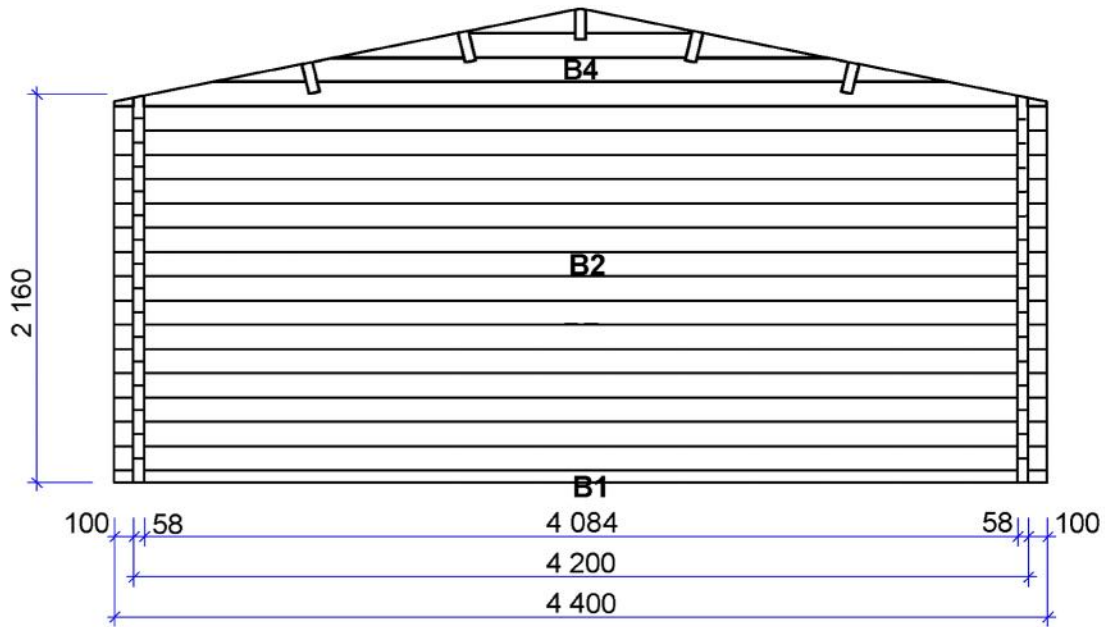


Wall D



LEEDS

4,4 x 4,4 + 3,0 58\135 mm



LEEDS

4,4 x 4,4 + 3,0

58\135 mm